

28. Keyless Transmitter

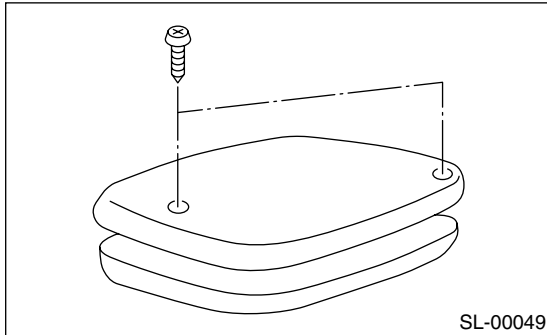
A: REMOVAL

1. TRANSMITTER BATTERY

Remove the screw from transmitter, and then remove the battery.

NOTE:

To prevent static electricity damage to transmitter printed circuit board, touch the steel area of building with hand to discharge the static electricity carried on body or clothes before disassembling transmitter.



B: INSTALLATION

1. TRANSMITTER BATTERY

Install in the reverse order of removal.

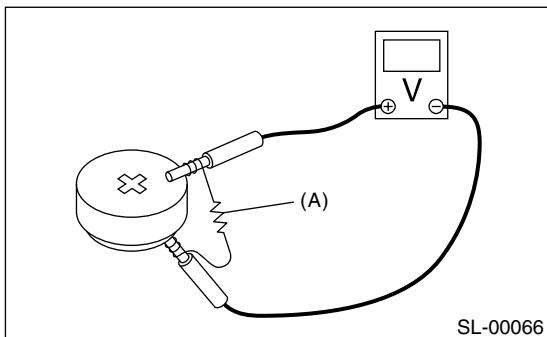
C: INSPECTION

1. TRANSMITTER BATTERY

Measure the voltage between battery (+) terminal and (-) terminal.

NOTE:

- Battery discharge occurs during measurement. Complete the measurement within 5 seconds.
- During battery voltage measurement, voltage falls more than 1.8 volts in 3 seconds period.



(A) Resistance 47 Ω

Tester connection		Standard
(+)	(-)	
Battery (+) terminal	Battery (-) terminal	2.5 — 3.0 V

If NG, replace the battery. (Use CR1620 or equivalent.)

D: REPLACEMENT

1. TRANSMITTER REGISTRATION

NOTE:

- A maximum of four transmitters can be registered for each individual vehicle.
- When replacing or adding the transmitter (key), registration is also necessary.
- Finish the operation from step 1) through 4) within 45 seconds.

- 1) Sit on the driver's seat and close all doors and rear gate.
- 2) Open the driver's door.
- 3) Close the driver's door.
- 4) Turn the ignition switch from ON to LOCK ten times within 15 seconds.

NOTE:

Do not start the engine at this time.

- 5) The horn chirps one time to indicate that the system has entered in the programming mode.
- 6) Open the driver's door.
- 7) Close the driver's door.
- 8) Press any button on the transmitter that you wish to program into the system.
- 9) Horn will chirp two times to indicate that the transmitter has been programmed.

NOTE:

Repeat steps 6) through 9) for an additional transmitter.

10) Remove the ignition key from the ignition switch.

11) The horn will chirp three times to indicate that the system has exited the programming mode.

12) Check the keyless entry system properly operates by operating each transmitter.

KEYLESS TRANSMITTER

SECURITY AND LOCKS
