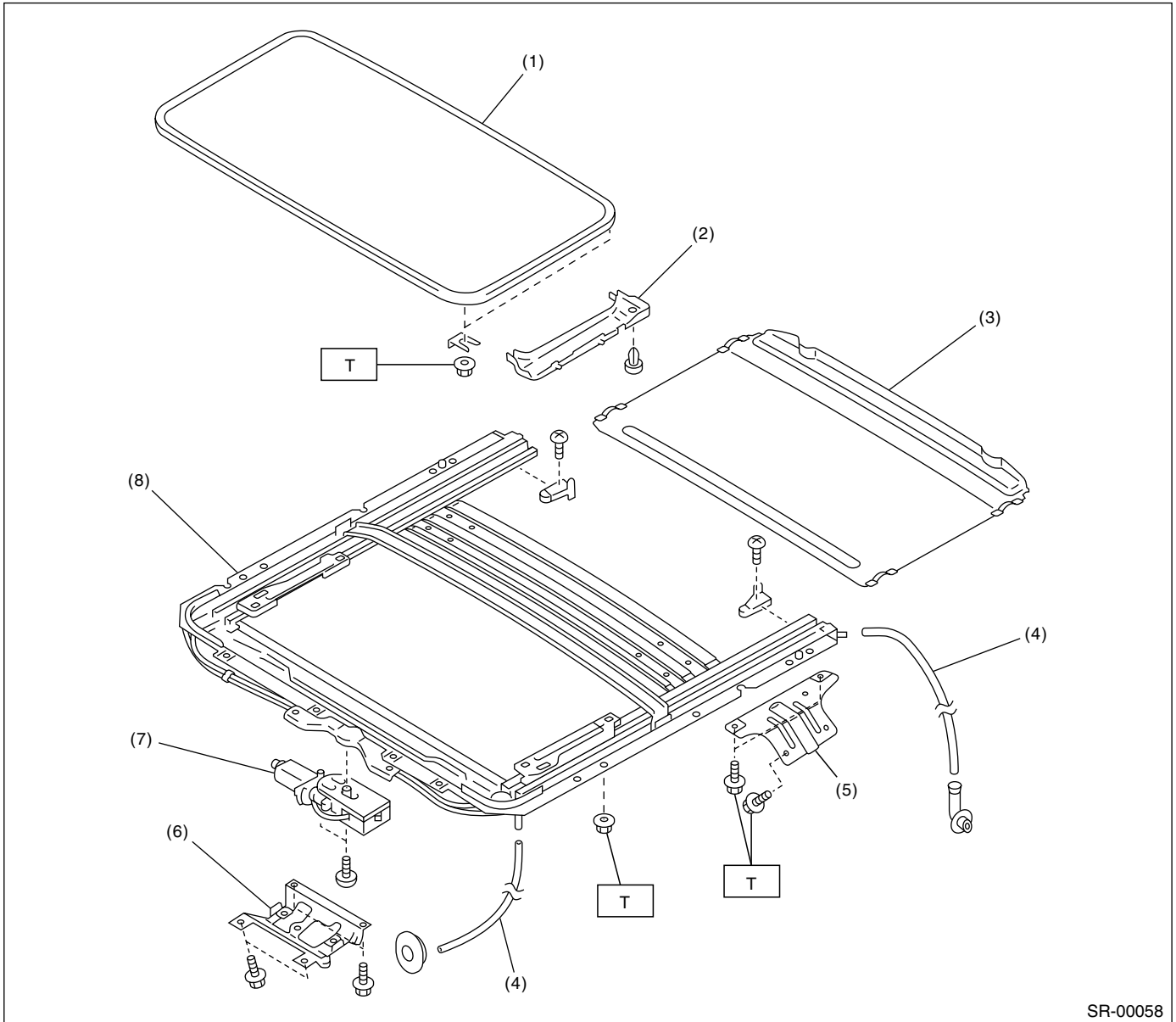


GENERAL DESCRIPTION

SUNROOF/T-TOP/CONVERTIBLE TOP (SUNROOF)

1. General Description

A: COMPONENT



SR-00058

- | | |
|----------------------|---------------------|
| (1) Glass lid | (5) Sunroof bracket |
| (2) Guide rail cover | (6) Motor cover |
| (3) Sunshade | (7) Motor ASSY |
| (4) Drain tube | (8) Frame ASSY |

Tightening torque: N·m (kgf·m, ft·lb)

T: 7.4 (0.75, 5.4)

GENERAL DESCRIPTION

SUNROOF/T-TOP/CONVERTIBLE TOP (SUNROOF)

B: CAUTION

- Before disassembling or reassembling parts, always disconnect battery ground cable. When replacing radio, control module, and other parts provided with memory functions, record memory contents before disconnecting the battery ground cable. Otherwise, the memory will be erased.
- Reassemble in reverse order of disassembly, unless otherwise indicated.
- Adjust parts to the given specifications.
- Connect the connectors and hoses securely during reassembly.
- After reassembly, make sure functional parts operate smoothly.

C: PREPARATION TOOL

1. GENERAL TOOLS

TOOL NAME	REMARKS
Circuit Tester	Used for measuring resistance and voltage.