

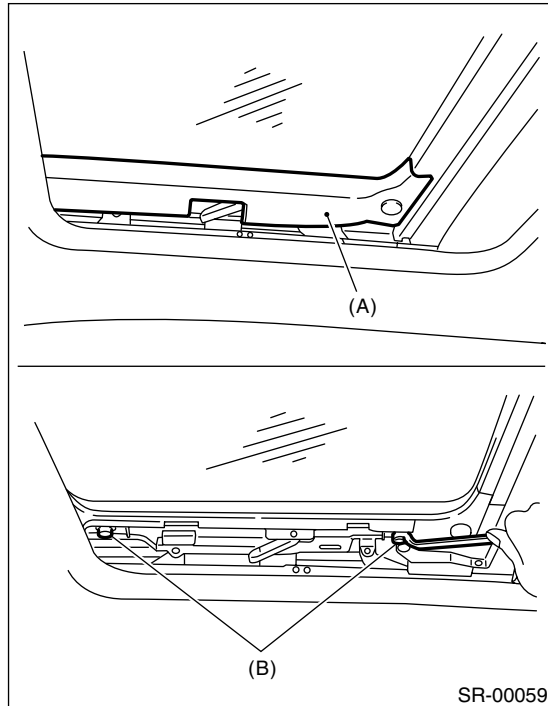
SUNROOF LID

SUNROOF/T-TOP/CONVERTIBLE TOP (SUNROOF)

3. Sunroof Lid

A: REMOVAL

- 1) Completely close the sunroof lid and open the sunshade.
- 2) Remove the cover (A) then remove the nuts (B).



- 3) Remove the sunroof lid carefully.

B: INSTALLATION

Install in the reverse order of removal.

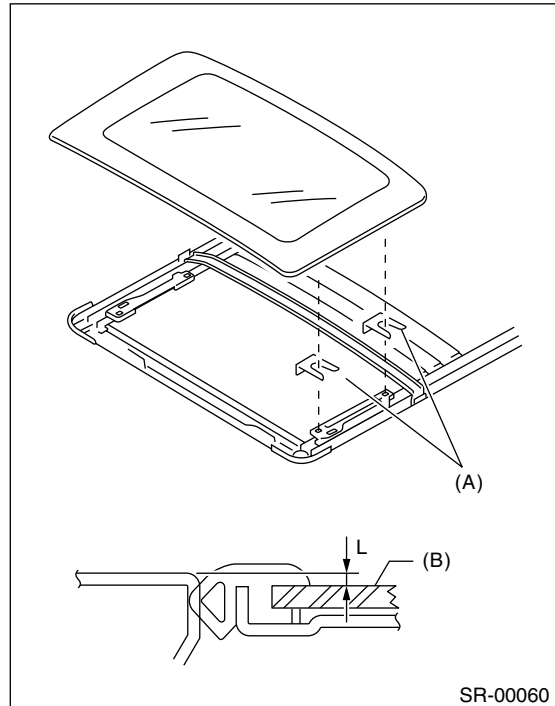
C: ADJUSTMENT

1. ALIGNMENT OF HEIGHT BETWEEN SUNROOF LID AND ROOF PANEL

Loosen the sunroof lid installation nuts and then adjust the height by adding (max: three pieces) or extracting (min: zero pieces) shims (standard: one piece).

Difference in height between sunroof lid and roof panel: L

L: 2.0 ± 0.5 mm (0.079 ± 0.020 in)



- (A) Shim
- (B) Sunroof lid