

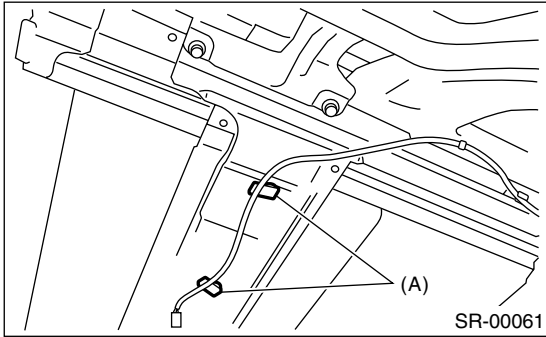
# SUNROOF ASSEMBLY

SUNROOF/T-TOP/CONVERTIBLE TOP (SUNROOF)

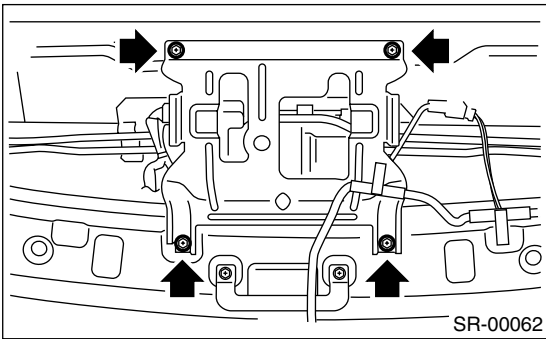
## 4. Sunroof Assembly

### A: REMOVAL

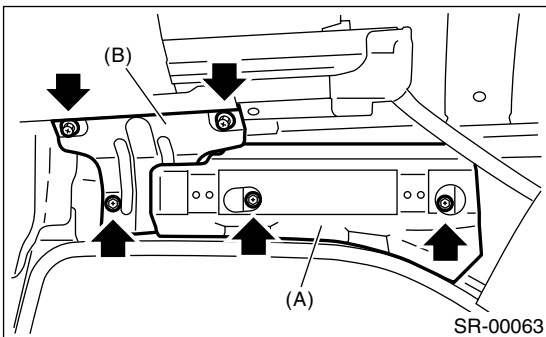
- 1) Disconnect the ground cable from battery.
- 2) Remove the roof trim. <Ref. to EI-51, REMOVAL, Roof Trim.>
- 3) Remove the sunroof lid. <Ref. to SR-5, REMOVAL, Sunroof Lid.>
- 4) Disconnect the drain tubes from sunroof frame.
- 5) Remove the room lamp harness clip (A).



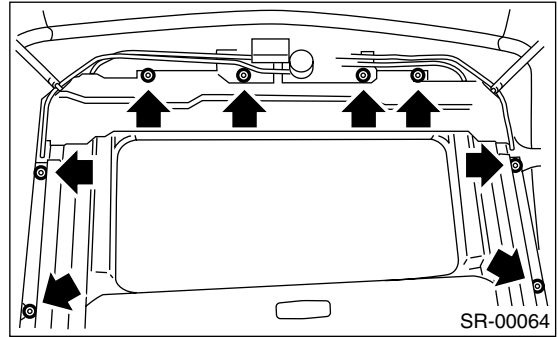
- 6) Disconnect the sunroof harness connector.
- 7) Remove the motor cover.



- 8) Remove the assist grip bracket (A) and sunroof bracket (B).



- 9) Remove the nuts then detach the sunroof frame.



### B: INSTALLATION

Install in the reverse order of removal.

#### CAUTION:

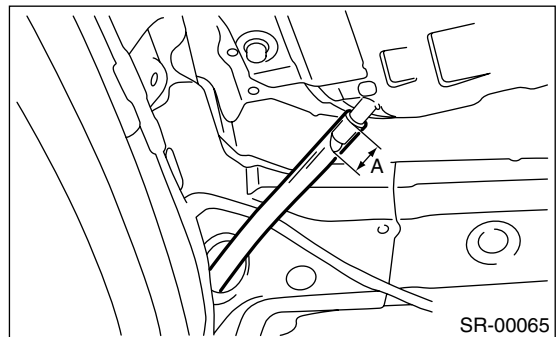
Be careful not to snag the harness.

#### NOTE:

- Make sure to connect the harness connector.
- When installing the drain tube, insert it securely onto drain pipe.

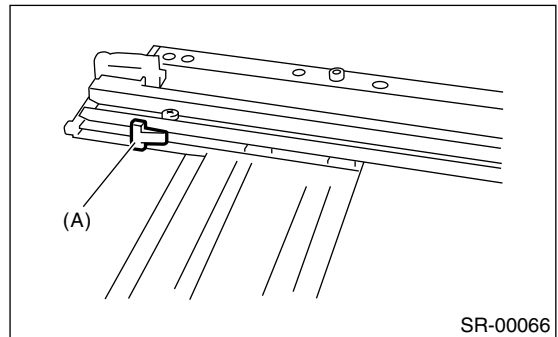
#### Length A:

15 mm (0.59 in) or more



### C: DISASSEMBLY

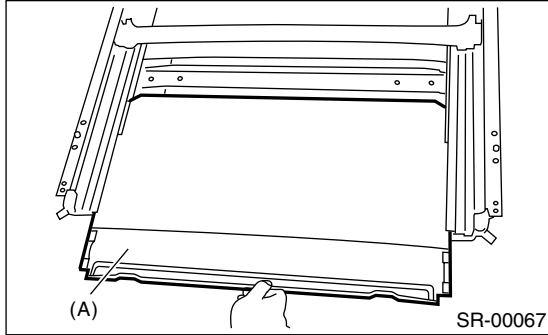
- 1) Remove the sunroof frame.
- 2) Remove the rail stoppers (A).



# SUNROOF ASSEMBLY

SUNROOF/T-TOP/CONVERTIBLE TOP (SUNROOF)

3) Pull out the sunshade (A) from sunroof frame.



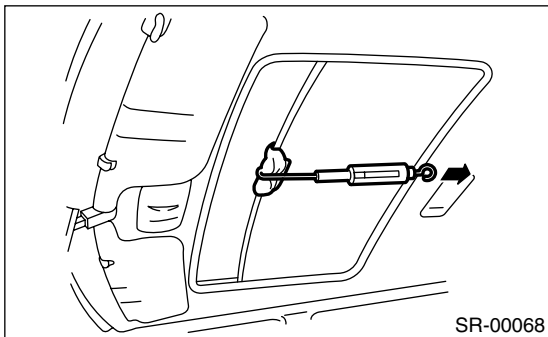
## D: ASSEMBLY

Assemble in the reverse order of disassembly.

## E: INSPECTION

### 1. CHECK FOR MOVING LOAD OF SUNSHADE

1) Attach a spring scale to sunshade edge using a cloth.



2) Pull the spring scale back to measure moving load of the sunshade.

#### ***Moving load of rear sunshade:***

***Less than 24.5±4.9 N (2.5±0.5 kgf, 55±1.1 lb)***

#### **NOTE:**

Moving load is larger at the beginning of pulling a spring scale, so take a scale reading while sunshade sliding smoothly.

3) If moving load exceeds specifications, check the sunroof lid, sunshade and guide rail assembly for improper installation.