

# SUNROOF MOTOR

SUNROOF/T-TOP/CONVERTIBLE TOP (SUNROOF)

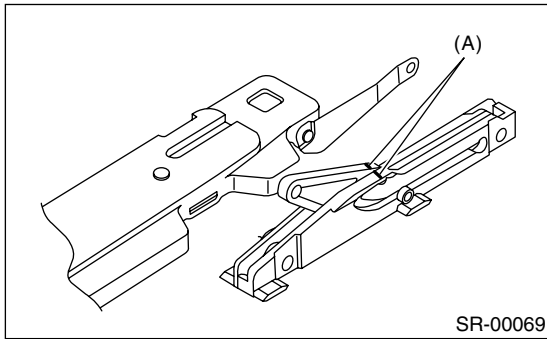
## 5. Sunroof Motor

### A: REMOVAL

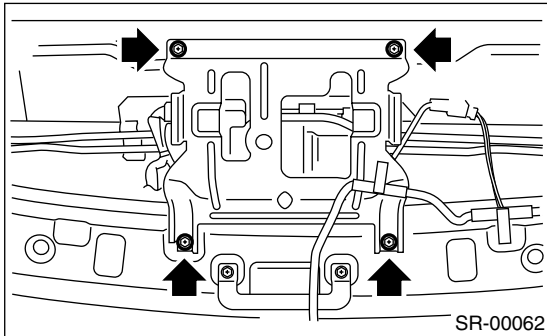
**CAUTION:**

- When removing the clip, use great care to not damage the roof trim.
- Never rotate the sunroof motor after removing it.

- 1) Completely close the sunroof.
- 2) Disconnect the ground cable from battery.
- 3) Remove the sunroof lid. <Ref. to SR-5, REMOVAL, Sunroof Lid.>
- 4) Confirm the alignment mark (A) of sunroof bracket link and the guide from sunroof opening. (If the mark does not align, adjust to align the mark.)



- 5) Remove the roof trim. <Ref. to EI-51, REMOVAL, Roof Trim.>
- 6) Remove the motor cover.



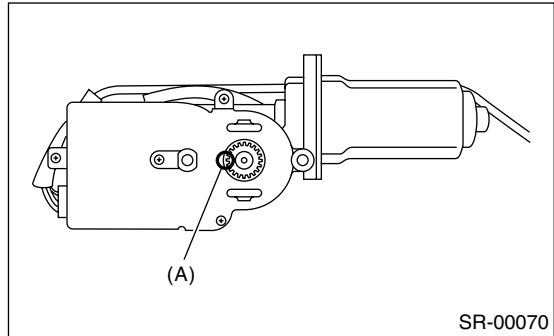
- 7) Disconnect the harness connector and remove the sunroof motor mounting screw.

### B: INSTALLATION

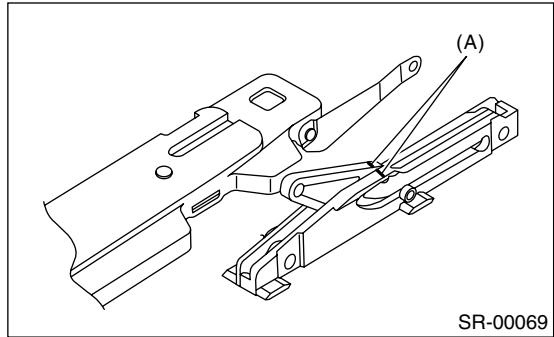
**CAUTION:**

Be careful not to move the sunroof cable when installing sunroof motor.

- 1) Check the alignment mark (A) of sunroof motor.



- 2) Confirm the alignment mark (A) of sunroof bracket link.



- 3) Install the sunroof motor.
- 4) After installing the motor, reconfirm the alignment marks of motor side and sunroof bracket link side.
- 5) Connect the sunroof motor harness connector and then connect the battery ground cable.
- 6) Check the sunroof operation with the procedure as shown in the table.

Checking order	Switch position
Completely close sunroof.	Closed
Tilt-up sunroof to most upper position.	Tilt-up
Lower sunroof completely.	Tilt-down
Open sunroof to near the completely open position.	Open
Completely open sunroof.	Open
Close sunroof 150 mm (5.91 in) away from completely closed position.	Closed
Completely close sunroof.	Closed

- 7) Install the sunroof lid and trims in the reverse order of removal.