

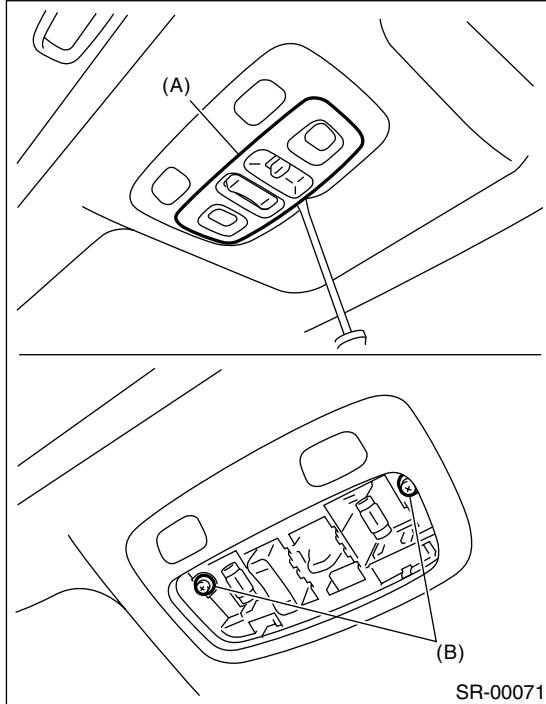
SUNROOF SWITCH

SUNROOF/T-TOP/CONVERTIBLE TOP (SUNROOF)

6. Sunroof Switch

A: REMOVAL

- 1) Disconnect the ground cable from battery.
- 2) Remove the spot light lens (A) and sunroof switch mounting screw (B).



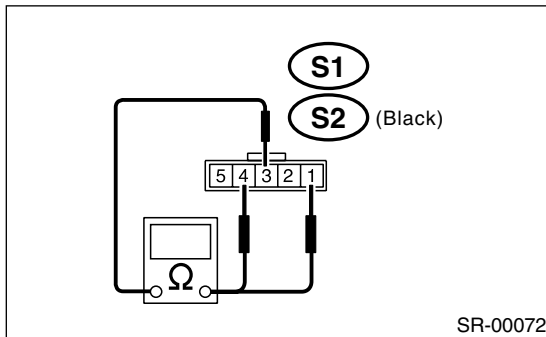
- 3) Disconnect the harness connectors and remove the sunroof switch.

B: INSTALLATION

Install in the reverse order of removal.

C: INSPECTION

Measure the sunroof switch resistance.



Switch	Terminal No.	Standard value
Open	S1: 3 and 4	Less than 1 Ω
Close	S1: 1 and 3	Less than 1 Ω
Tilt-up	S2: 3 and 4	Less than 1 Ω
Tilt-down	S2: 1 and 3	Less than 1 Ω

SUNROOF SWITCH

SUNROOF/T-TOP/CONVERTIBLE TOP (SUNROOF)
