

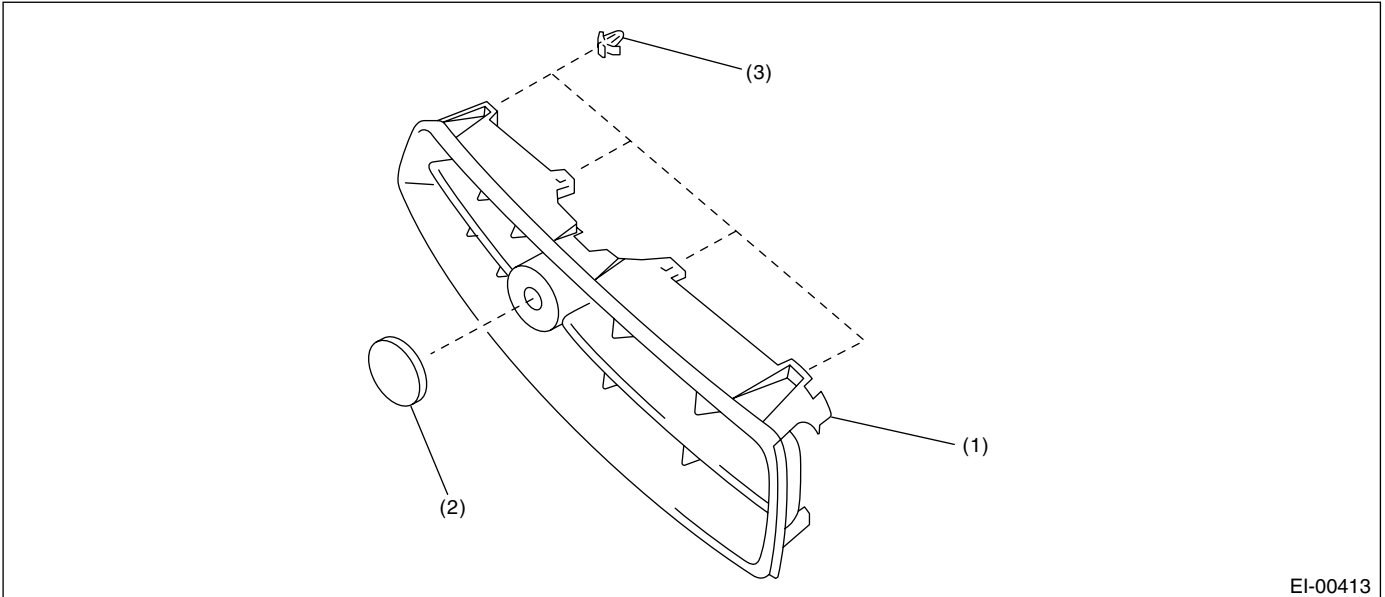
GENERAL DESCRIPTION

EXTERIOR/INTERIOR TRIM

1. General Description

A: COMPONENT

1. FRONT GRILLE



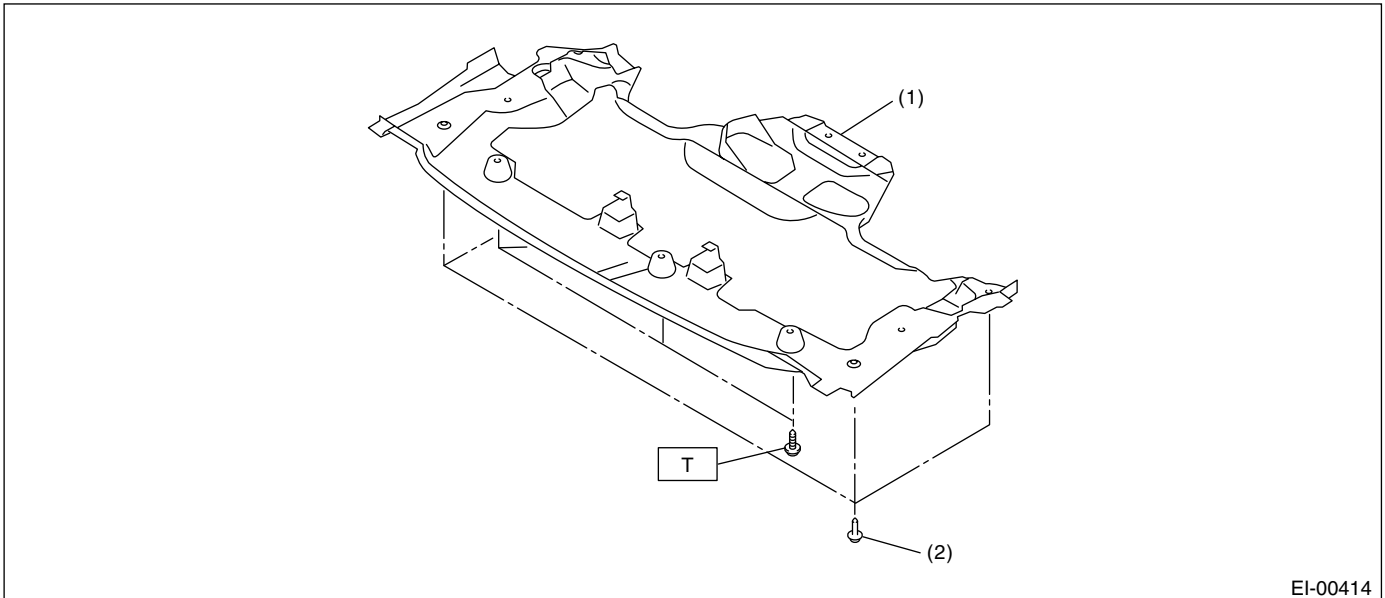
EI-00413

(1) Front grille

(2) Front grille emblem

(3) Clip

2. UNDER COVER



EI-00414

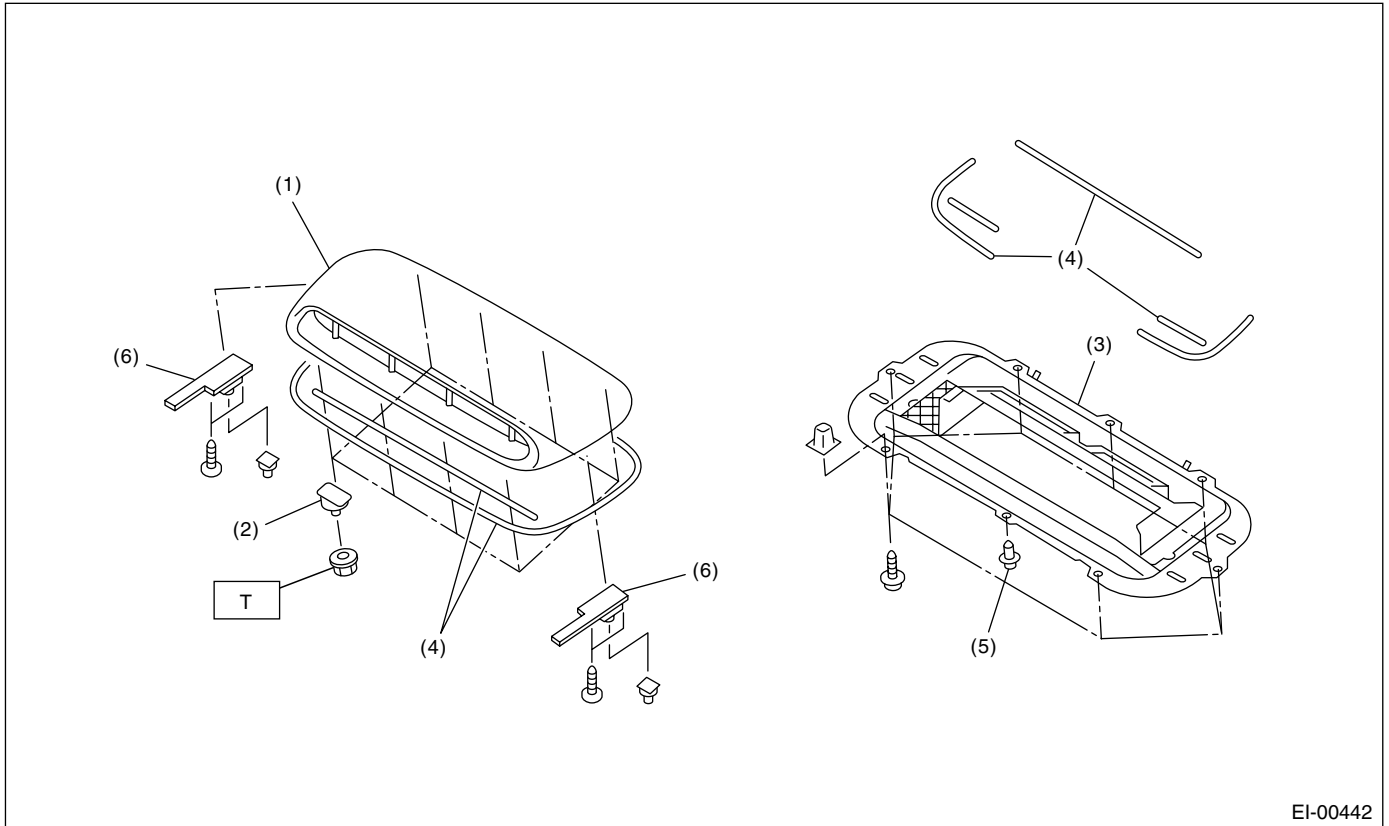
(1) Under cover

(2) Clip (side)

Tightening torque: N·m (kgf·m, ft·lb)

T: 14 (1.42, 10.3)

3. HOOD GRILLE



- (1) Hood grille
- (2) Bolt
- (3) Grille duct

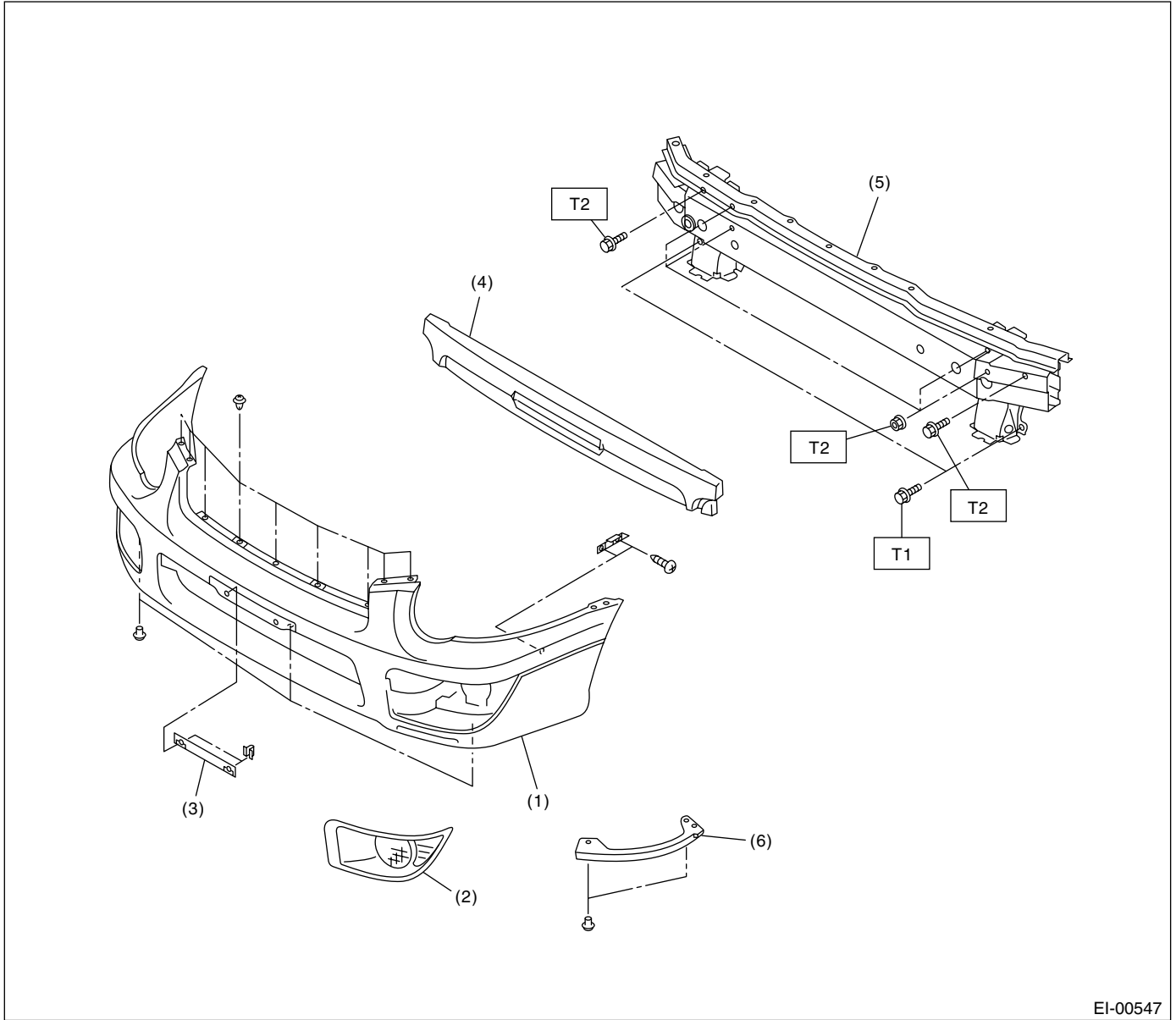
- (4) Packing
- (5) Clip
- (6) Side plate

Tightening torque: N·m (kgf·m, ft·lb)
T: 4.5 (0.46, 3.32)

GENERAL DESCRIPTION

EXTERIOR/INTERIOR TRIM

4. FRONT BUMPER



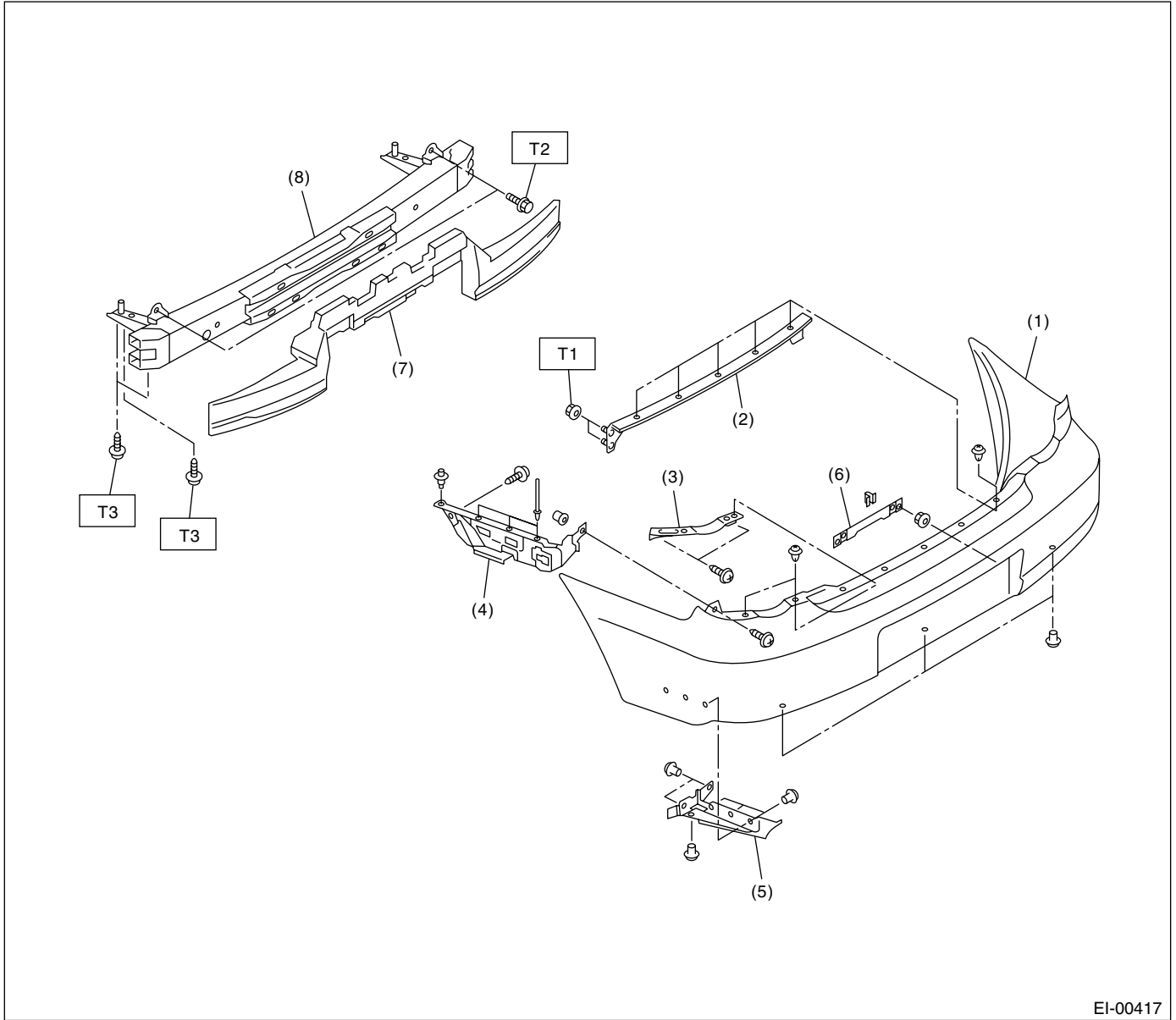
- (1) Bumper face
- (2) Fog light cover
- (3) License plate bracket
- (4) Bumper energy absorber
- (5) Bumper beam
- (6) Bumper extension (wagon turbo model)

Tightening torque: N-m (kgf-m, ft-lb)

T1: 32 (3.3, 24)

T2: 69 (7.0, 51)

5. REAR BUMPER



EI-00417

- | | |
|--------------------------|----------------------------|
| (1) Bumper face | (5) Bumper side cover |
| (2) Bumper upper beam | (6) License plate base |
| (3) Bumper upper bracket | (7) Bumper energy absorber |
| (4) Bumper side bracket | (8) Bumper back beam |

Tightening torque: N-m (kgf-m, ft-lb)

T1: 33 (3.4, 24)

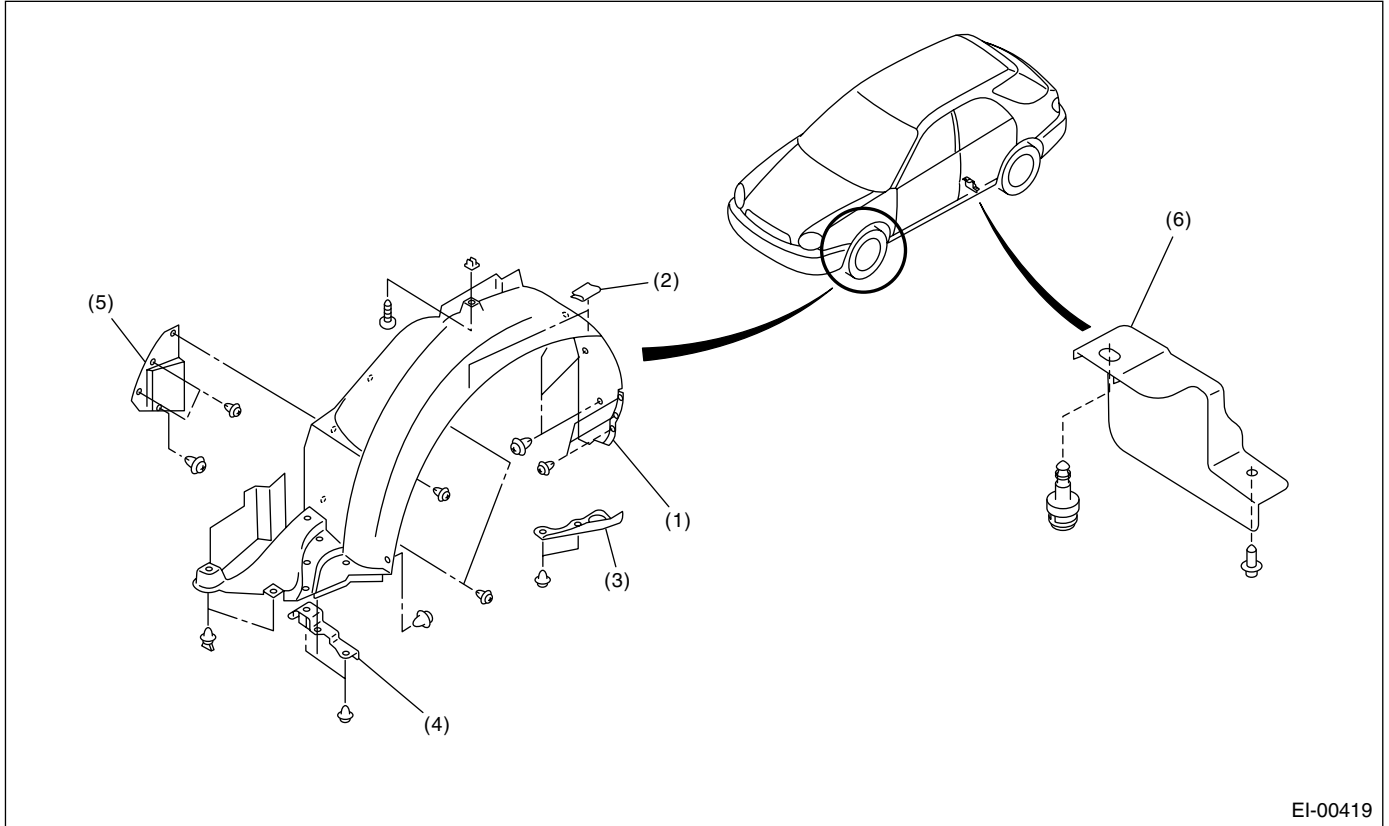
T2: 34 (3.5, 25)

T3: 95 (9.7, 70)

GENERAL DESCRIPTION

EXTERIOR/INTERIOR TRIM

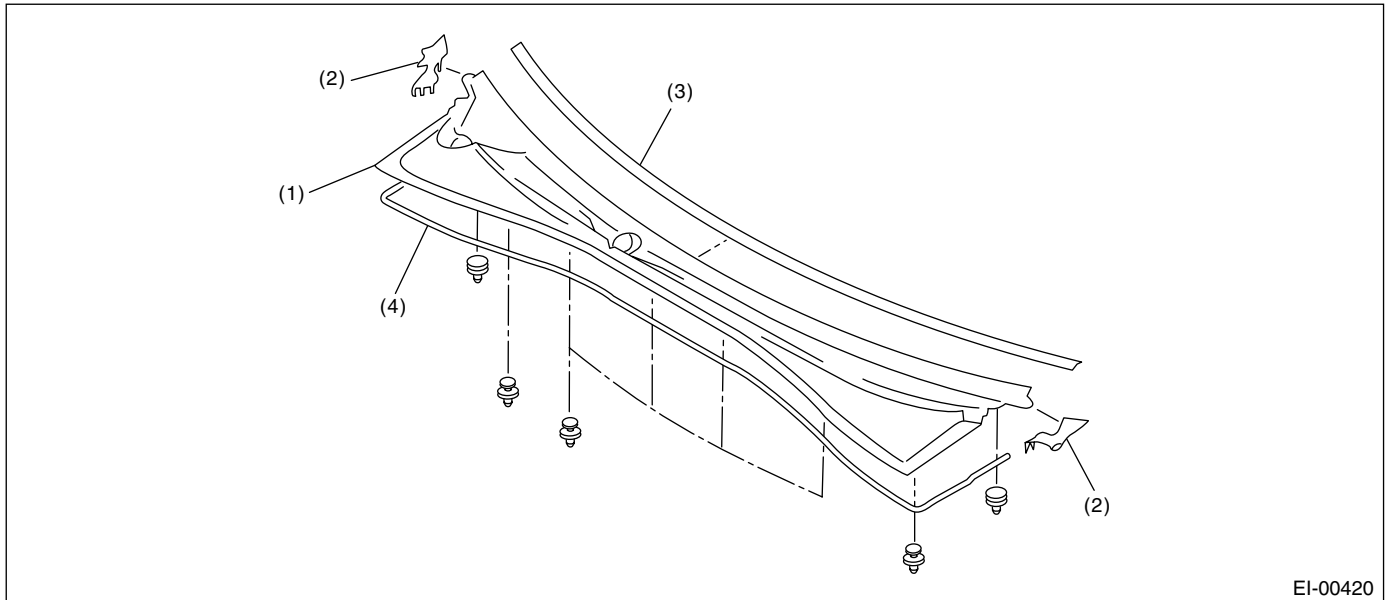
6. MUD GUARD



EI-00419

- | | | |
|---------------|--------------------------|-------------------------|
| (1) Mud guard | (3) Sub frame cover | (5) Mud guard plate |
| (2) Clip | (4) Front air flap plate | (6) Rear air flap plate |

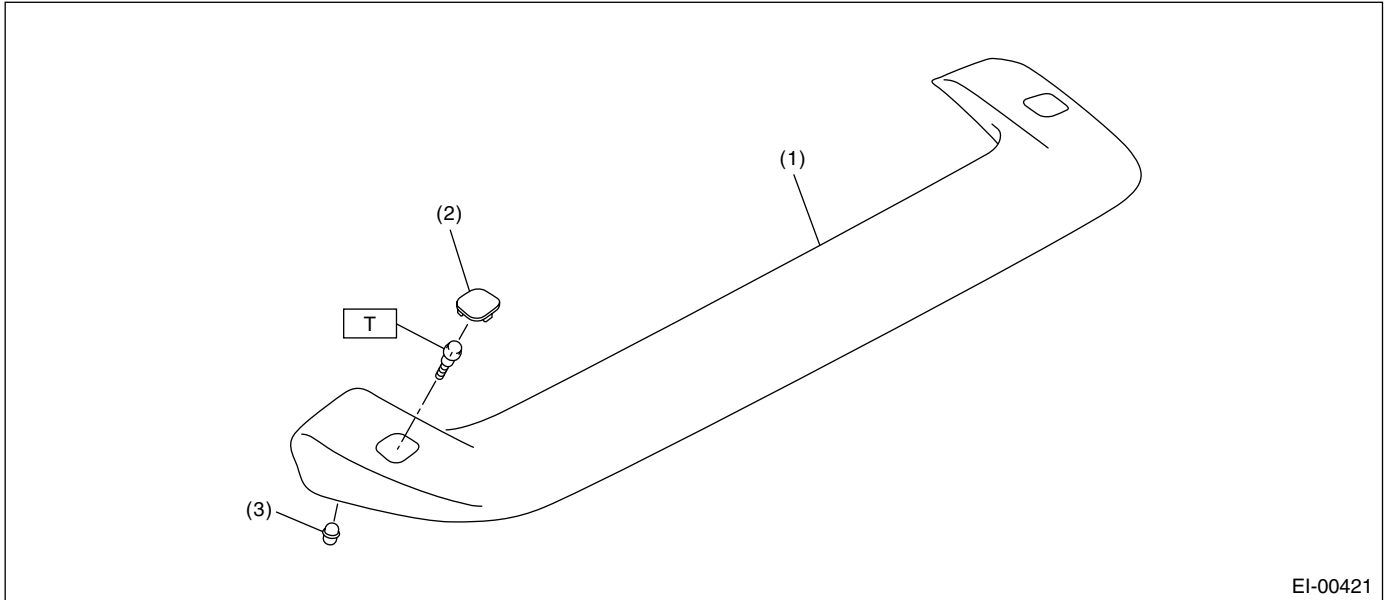
7. COWL PANEL



EI-00420

- | | | |
|---------------------|---------------|----------|
| (1) Cowl panel | (3) Protector | (4) Seal |
| (2) Cowl side panel | | |

8. ROOF SPOILER



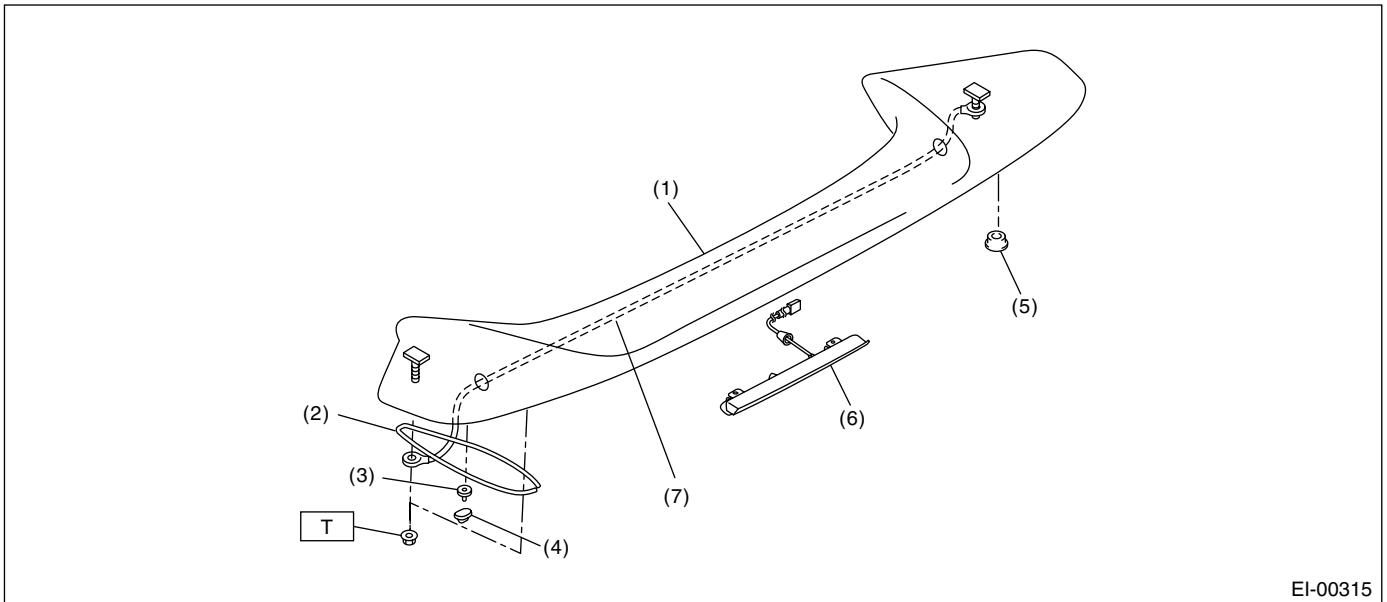
EI-00421

- (1) Roof spoiler
- (2) Cap

- (3) Clip

Tightening torque: N·m (kgf·m, ft·lb)
T: 7.4 (0.75, 5.46)

9. REAR SPOILER



EI-00315

- (1) Rear spoiler
- (2) Protector
- (3) Clip
- (4) Grommet

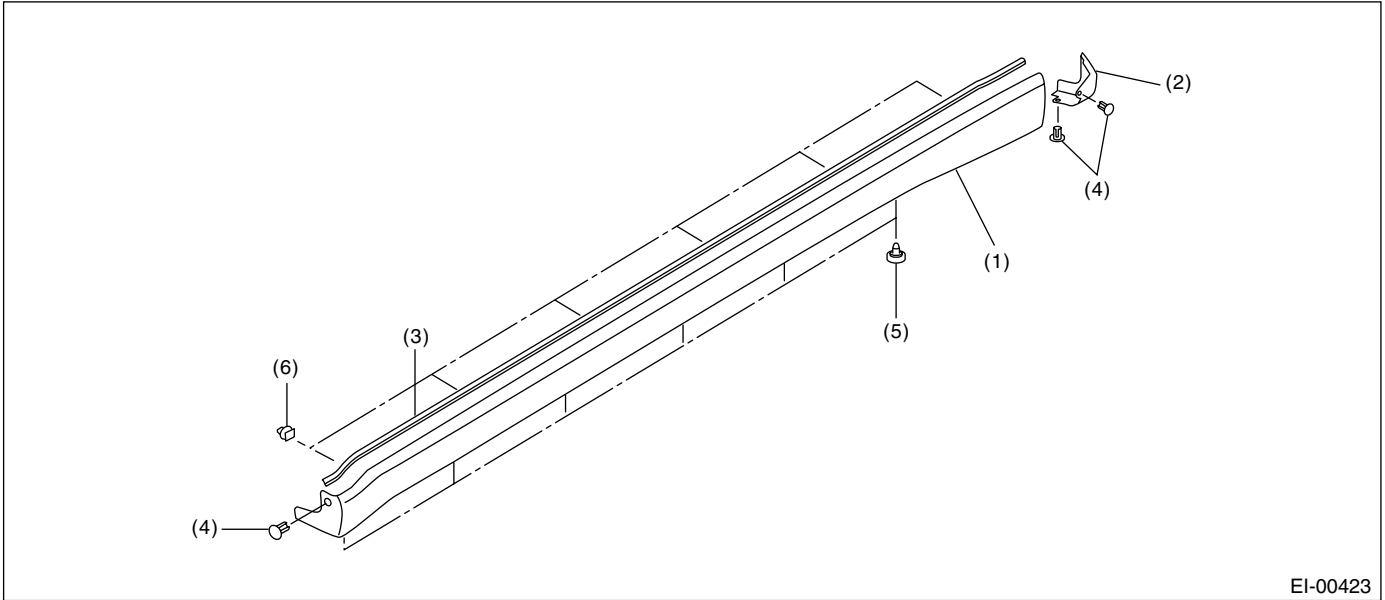
- (5) Seal (RH)
- (6) High mount stop lamp
- (7) Retention cable (Inner parts)

Tightening torque: N·m (kgf·m, ft·lb)
T: 7.4 (0.75, 5.46)

GENERAL DESCRIPTION

EXTERIOR/INTERIOR TRIM

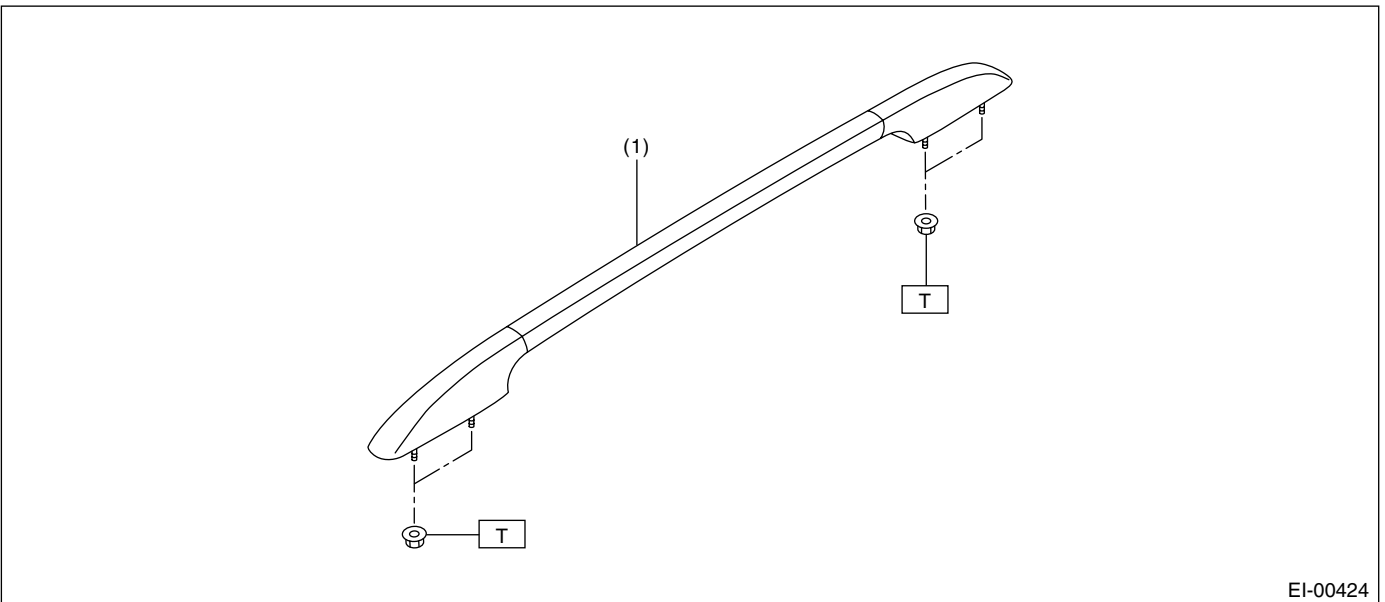
10.SIDE SILL SPOILER



EI-00423

- | | | |
|-----------------------|----------------|------------------------------|
| (1) Side sill spoiler | (3) Protector | (5) Clip (Side sill spoiler) |
| (2) End cover | (4) Rivet clip | (6) Clip |

11.ROOF RAIL



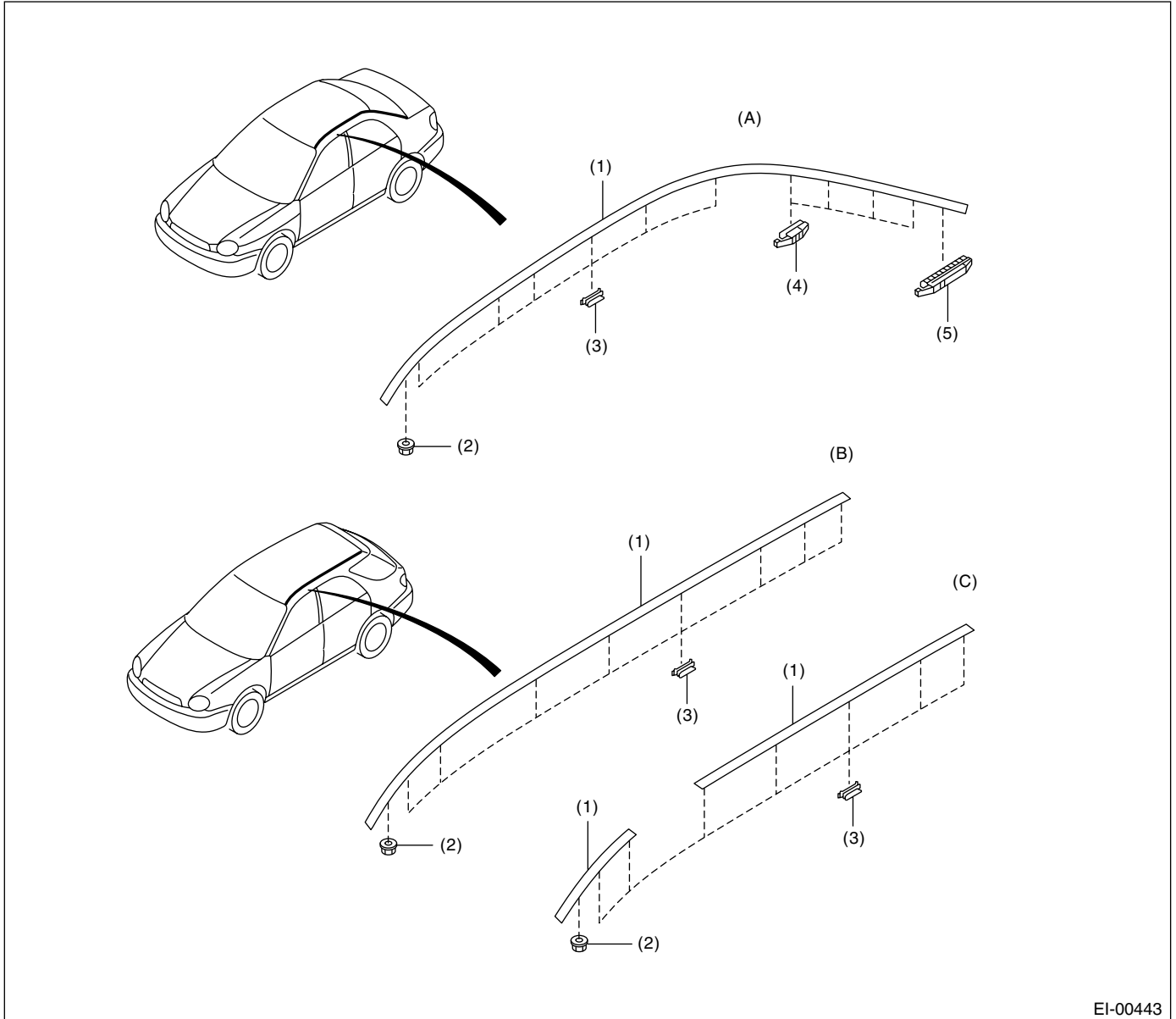
EI-00424

- (1) Roof rail

Tightening torque: N·m (kgf·m, ft·lb)

T: 7.4 (0.75, 5.46)

12. ROOF MOLDING



EI-00443

(A) For sedan model

(B) For wagon model

(C) For wagon model (with roof rail)

(1) Roof molding

(3) Clip B

(5) Clip D

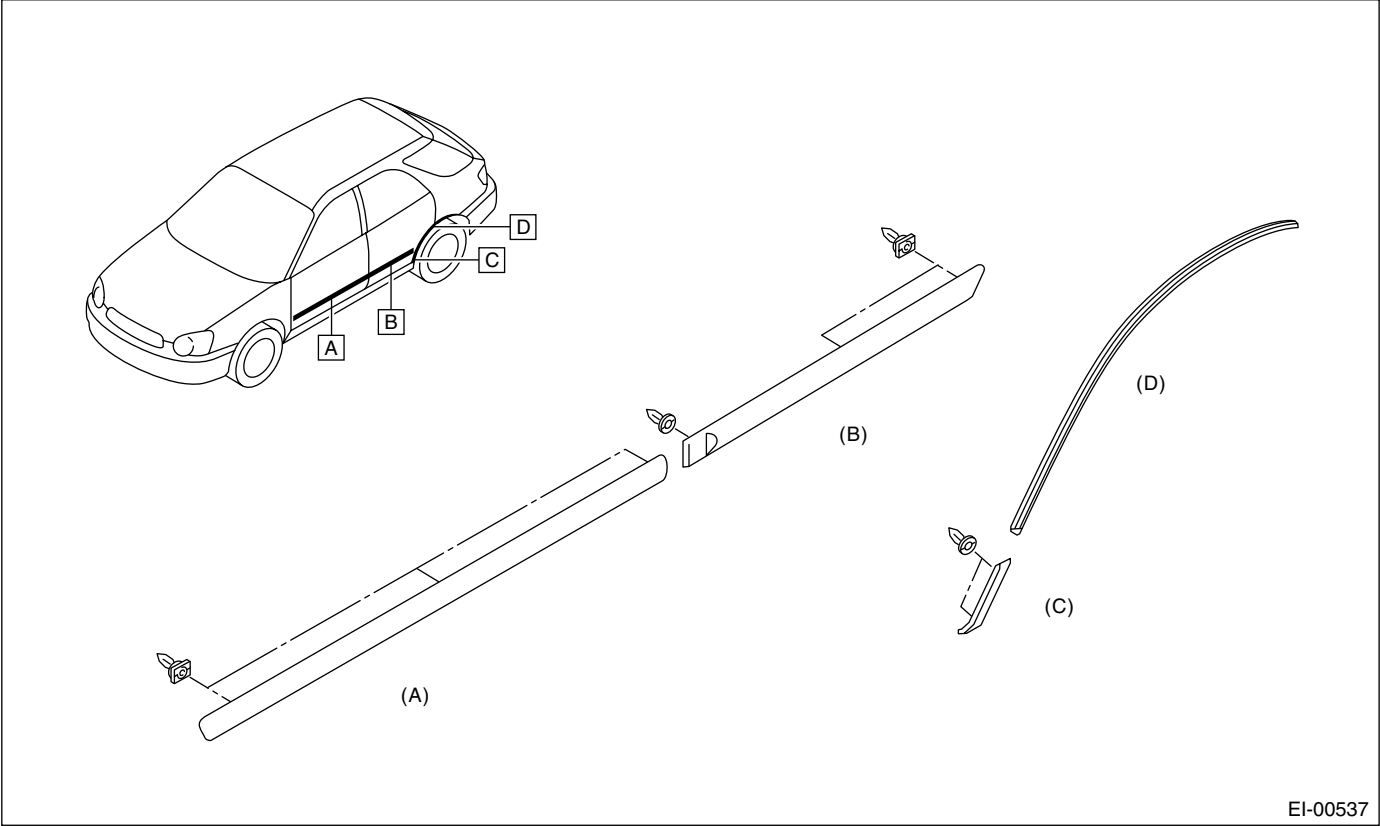
(2) Clip A

(4) Clip C

GENERAL DESCRIPTION

EXTERIOR/INTERIOR TRIM

13.PROTECTOR



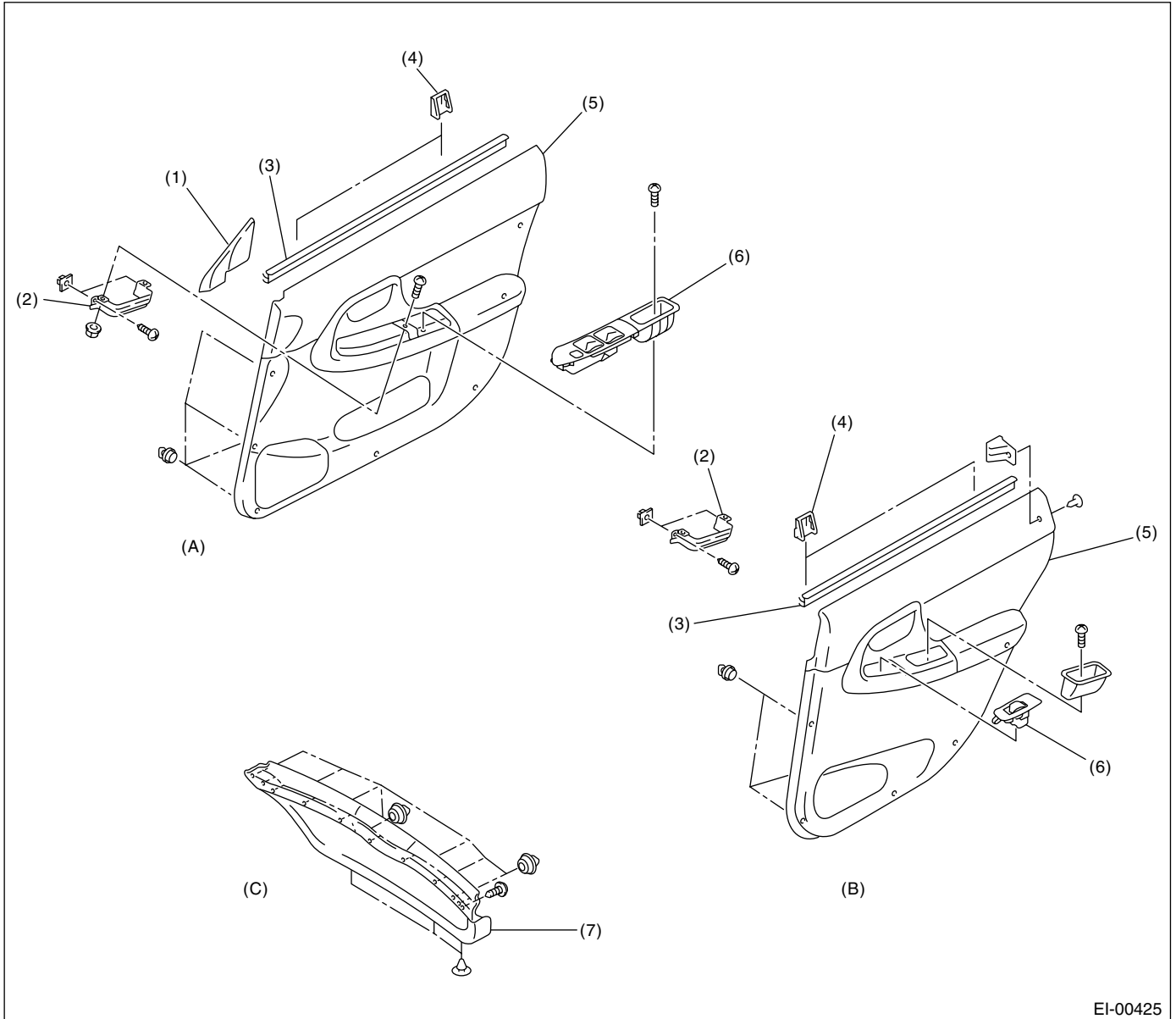
EI-00537

(A) Front door
(B) Rear door

(C) Rear fender lower

(D) Rear fender upper

14.DOOR TRIM



EI-00425

(A) Front door trim

(B) Rear door trim

(C) Rear gate trim

(1) Gusset cover

(4) Clip

(6) Power window switch cover

(2) Bracket

(5) Trim panel

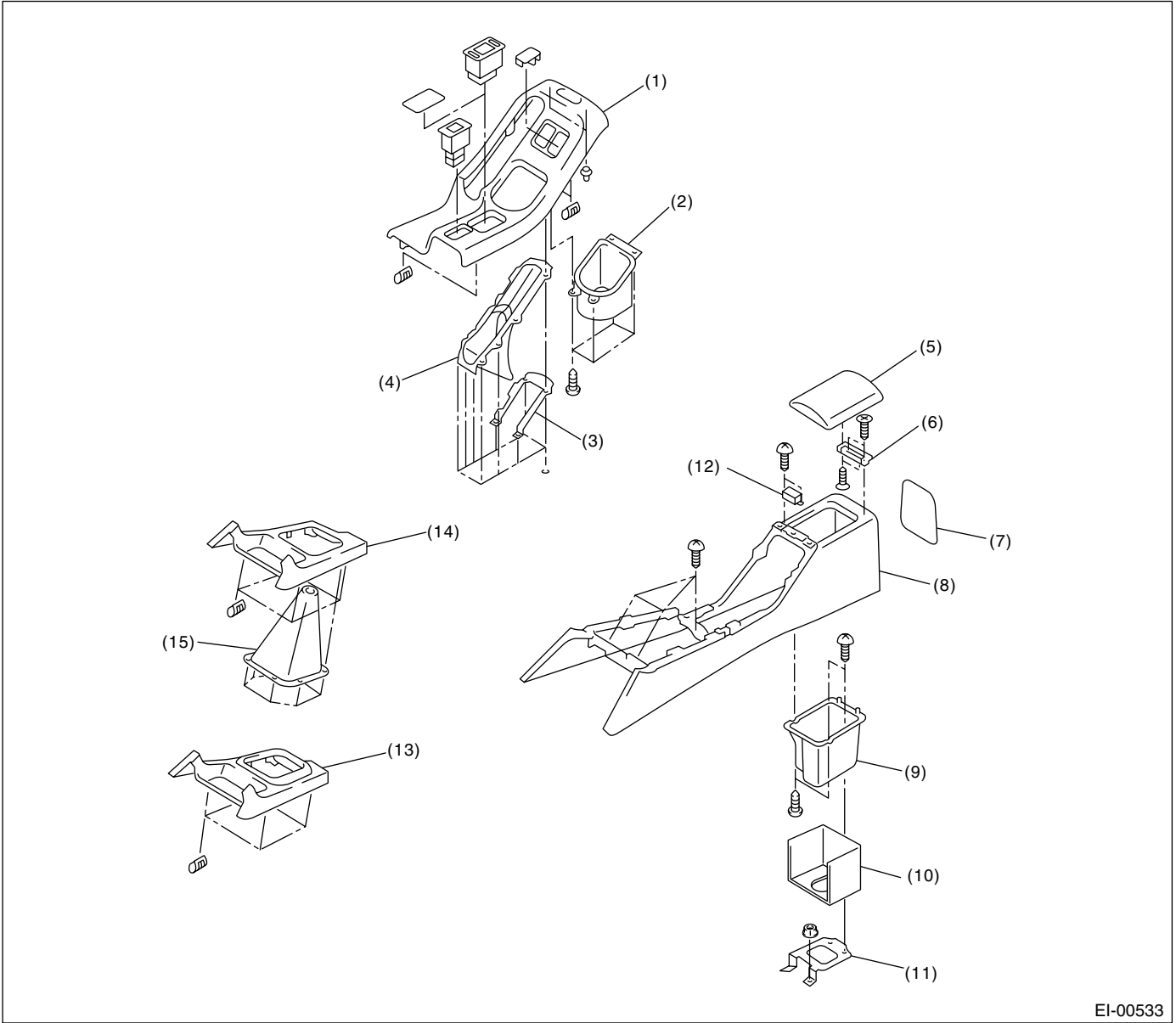
(7) Lower trim

(3) Weather strip upper

GENERAL DESCRIPTION

EXTERIOR/INTERIOR TRIM

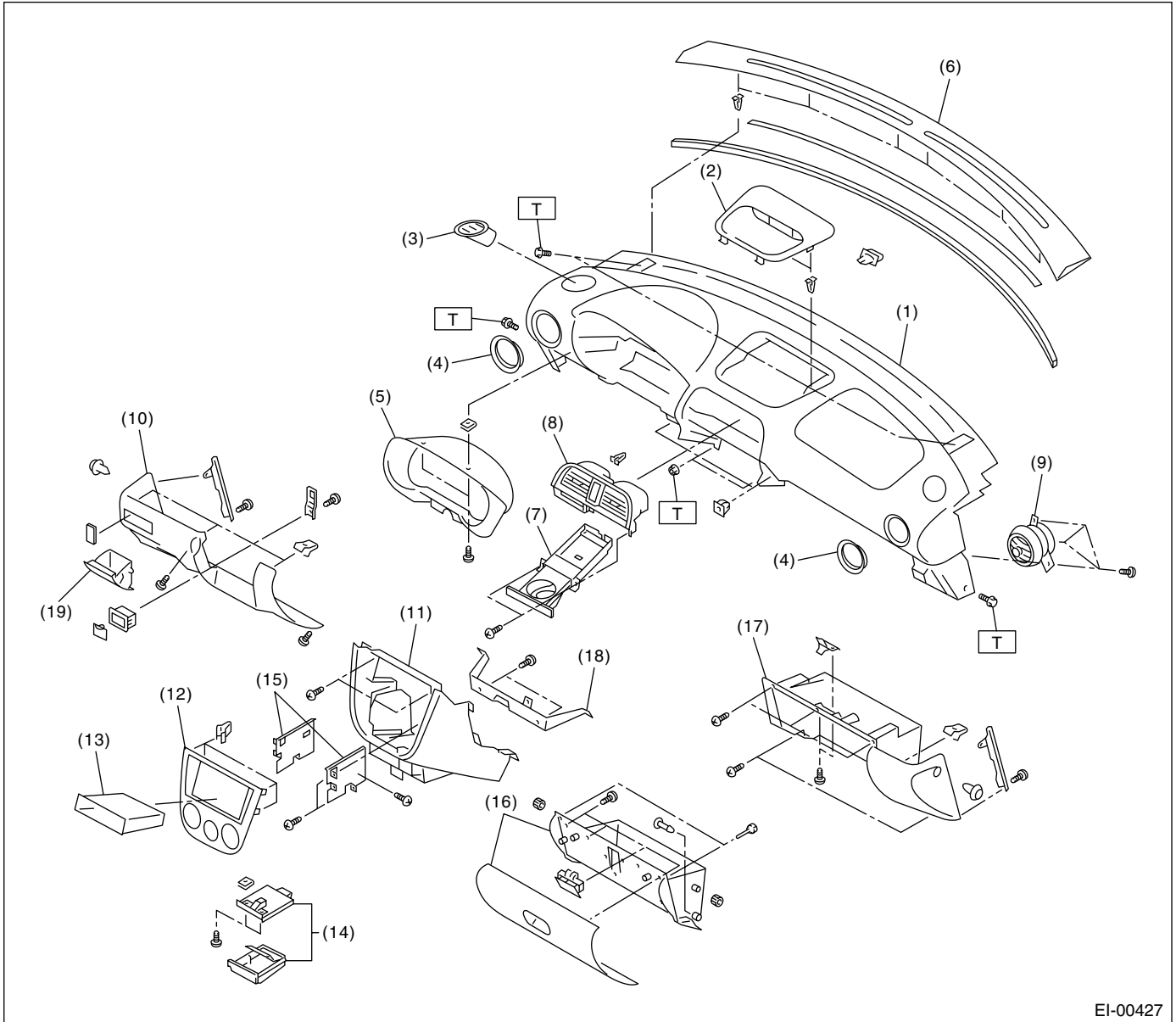
15. CONSOLE BOX



EI-00533

- | | | |
|-------------------|--------------------|-----------------------------|
| (1) Console cover | (6) Lid hinge | (11) Lower bracket |
| (2) Cup holder | (7) Rear lid | (12) Lock |
| (3) Bracket | (8) Console box | (13) Front cover (AT model) |
| (4) Strip | (9) Console pocket | (14) Front cover (MT model) |
| (5) Upper lid | (10) Upper bracket | (15) Boot |

16. INSTRUMENT PANEL



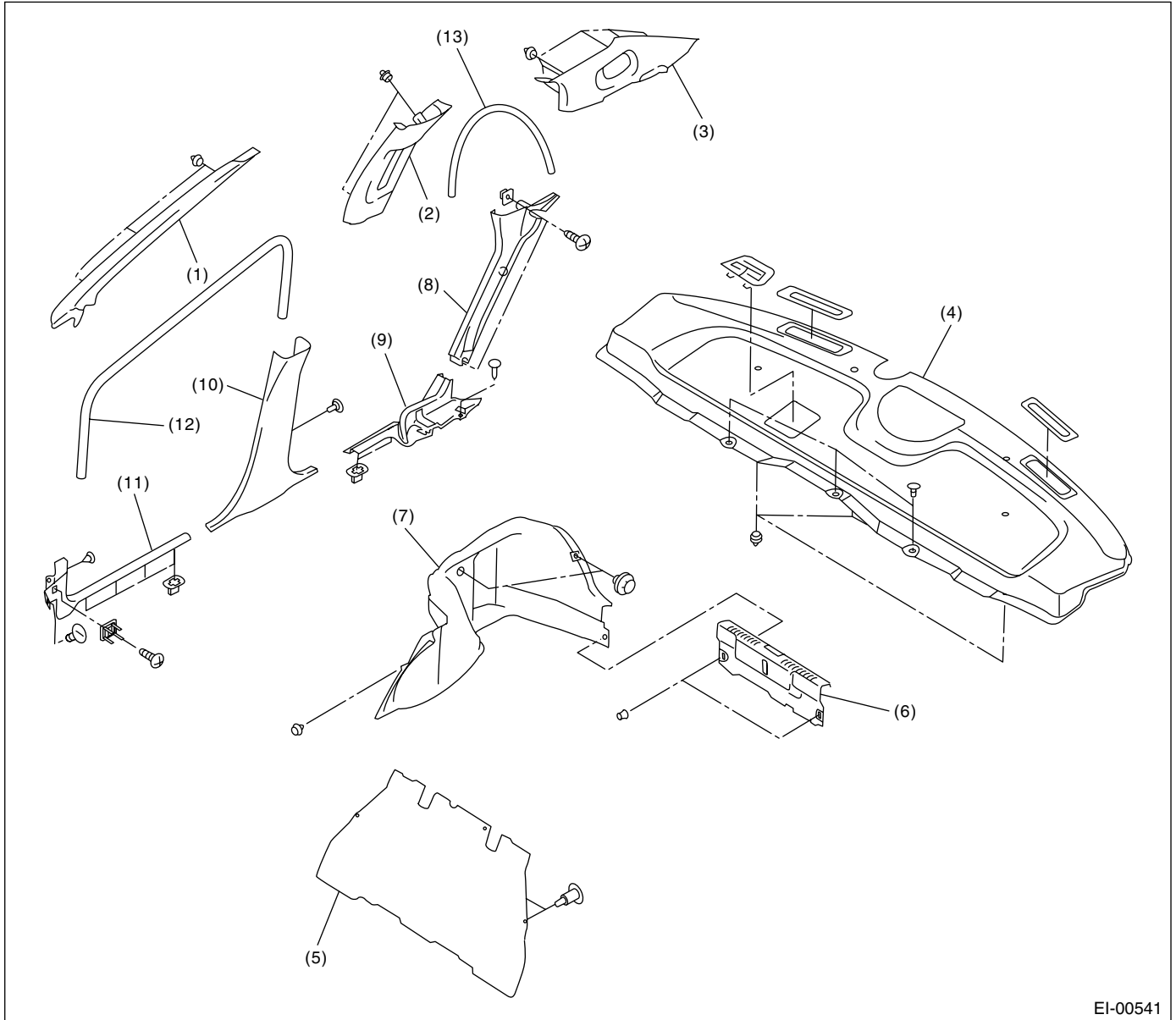
- | | | |
|---------------------------------|-----------------------------------|----------------------------|
| (1) Pad & frame | (9) Air vent grille (side) | (16) Glove box lid |
| (2) Center upper panel | (10) Instrument panel lower cover | (17) Glove box panel |
| (3) Air vent grille (defroster) | (11) Console cover | (18) Console reinforcement |
| (4) Grille cover | (12) Center panel | (19) Coin box |
| (5) Meter visor | (13) Center pocket | |
| (6) Defroster grille | (14) Ash tray | |
| (7) Cup holder | (15) Audio bracket | |
| (8) Air vent grille (center) | | |

Tightening torque: N-m (kgf-m, ft-lb)
T: 7 (0.71, 5.2)

GENERAL DESCRIPTION

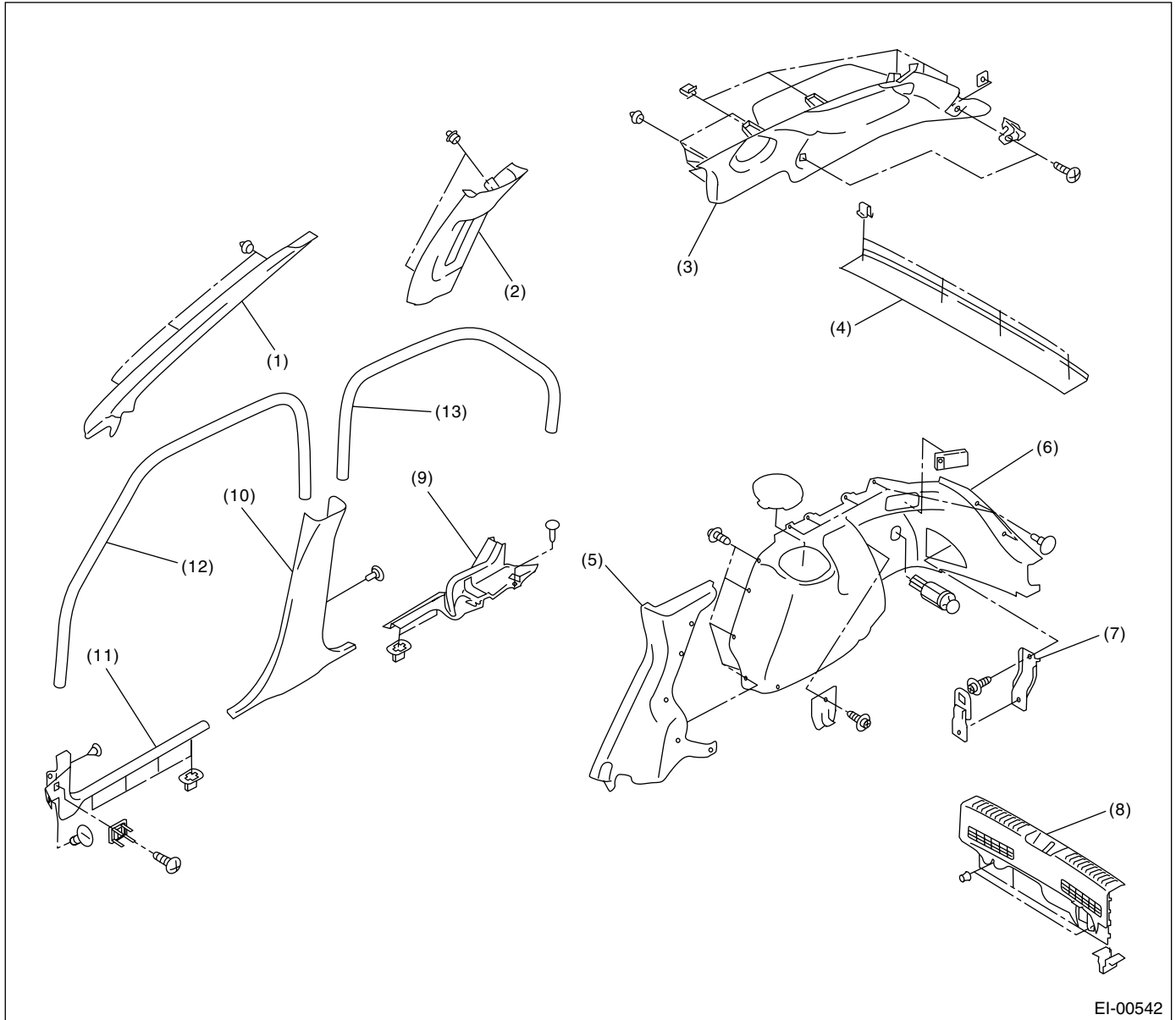
EXTERIOR/INTERIOR TRIM

17.INNER TRIM (SEDAN MODEL)



- | | | |
|------------------------------|----------------------------|-------------------------------|
| (1) Front pillar upper trim | (6) Trunk rear trim | (10) Center pillar lower trim |
| (2) Center pillar upper trim | (7) Trunk side trim | (11) Side sill front cover |
| (3) Rear pillar upper trim | (8) Rear pillar lower trim | (12) Front garnish |
| (4) Rear shelf trim | (9) Side sill rear cover | (13) Rear garnish |
| (5) Rear bulk trim | | |

18.INNER TRIM (WAGON MODEL)



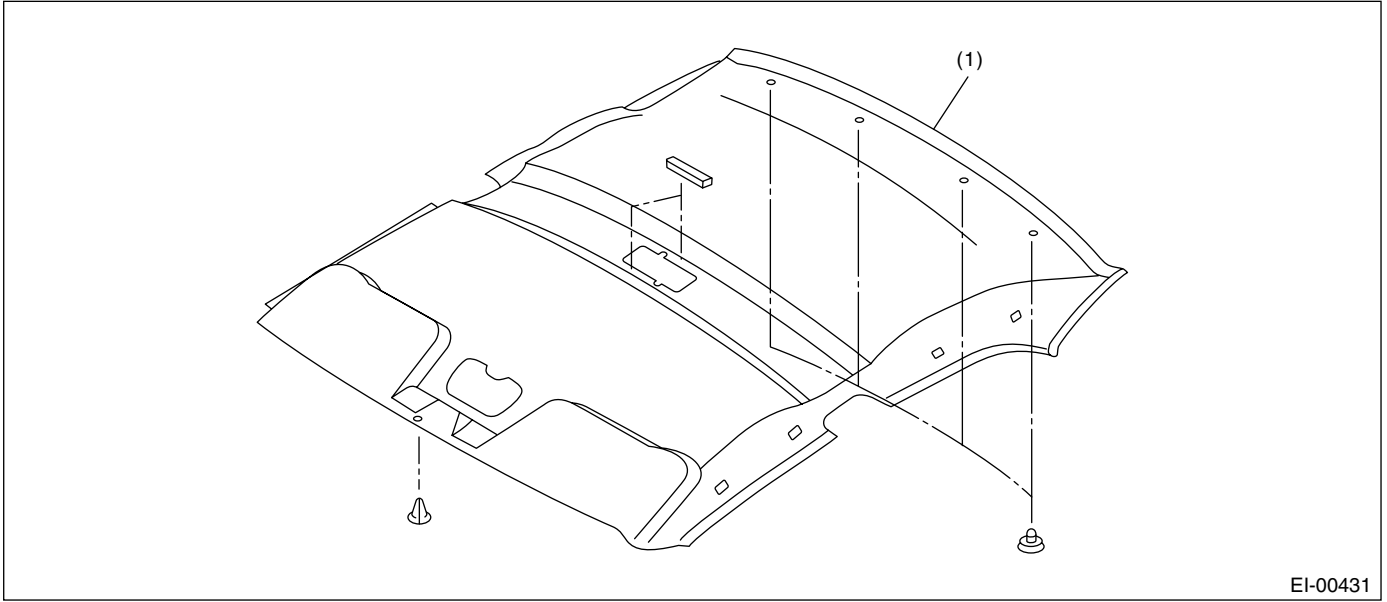
EI-00542

- | | | |
|------------------------------|-------------------------------|----------------------------|
| (1) Front pillar upper trim | (6) Rear quarter lower trim | (11) Side sill front cover |
| (2) Center pillar upper trim | (7) Hook | (12) Front garnish |
| (3) Rear pillar upper trim | (8) Rear skirt trim | (13) Rear garnish |
| (4) Rear rail trim | (9) Side sill rear cover | |
| (5) Rear pillar lower trim | (10) Center pillar lower trim | |

GENERAL DESCRIPTION

EXTERIOR/INTERIOR TRIM

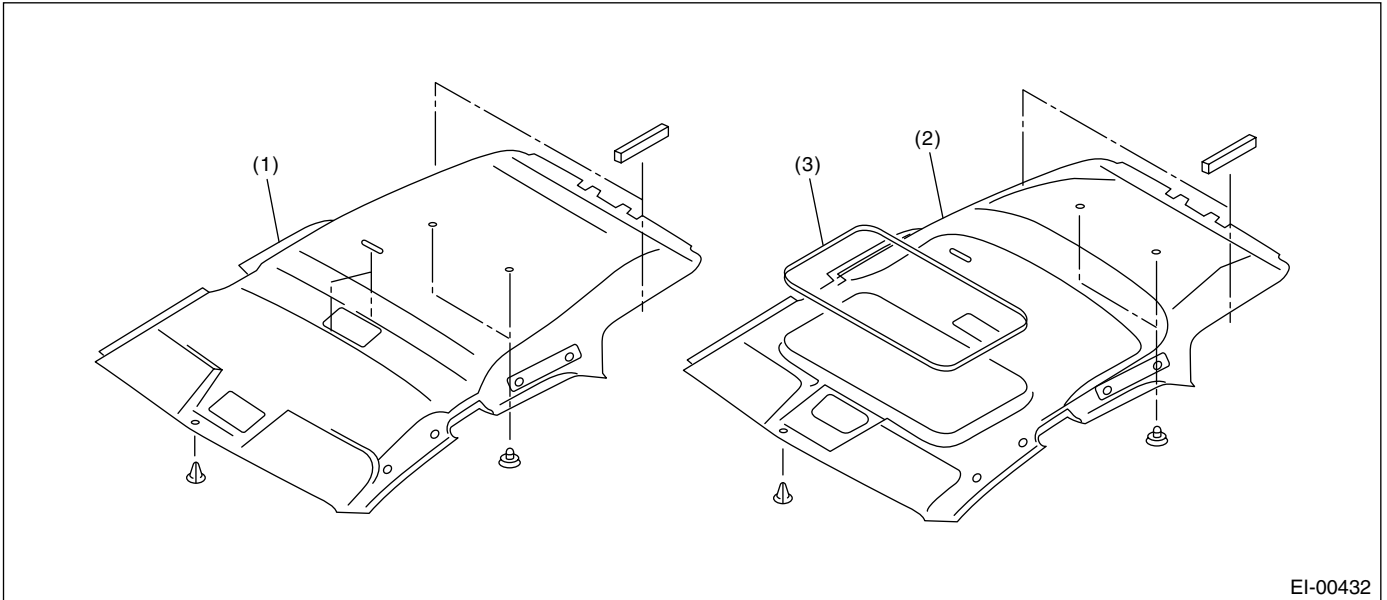
19. ROOF TRIM (SEDAN MODEL)



EI-00431

(1) Roof trim

20. ROOF TRIM (WAGON MODEL)



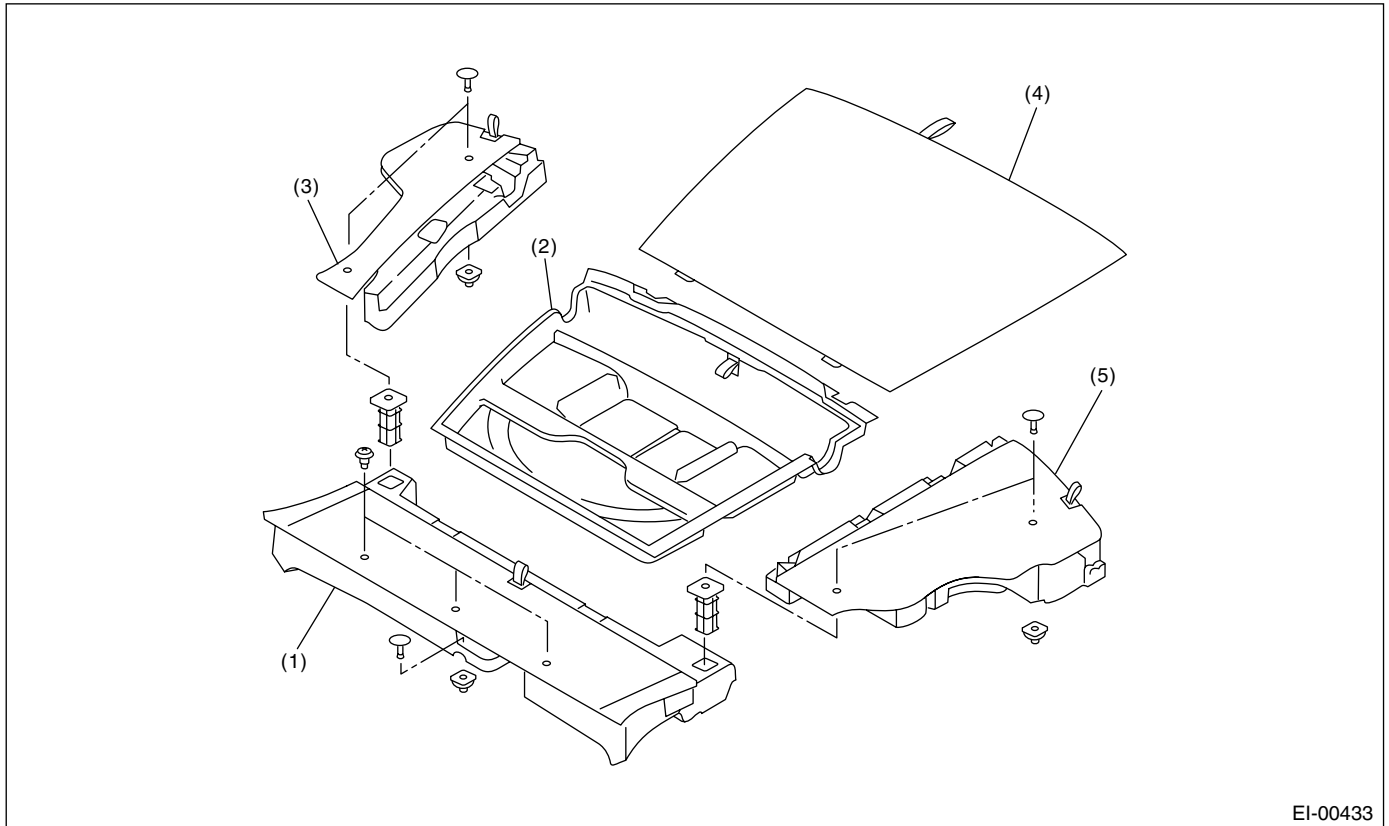
EI-00432

(1) Roof trim

(2) Roof trim (Model with sun roof)

(3) Sun roof garnish

21.LUGGAGE FLOOR MAT



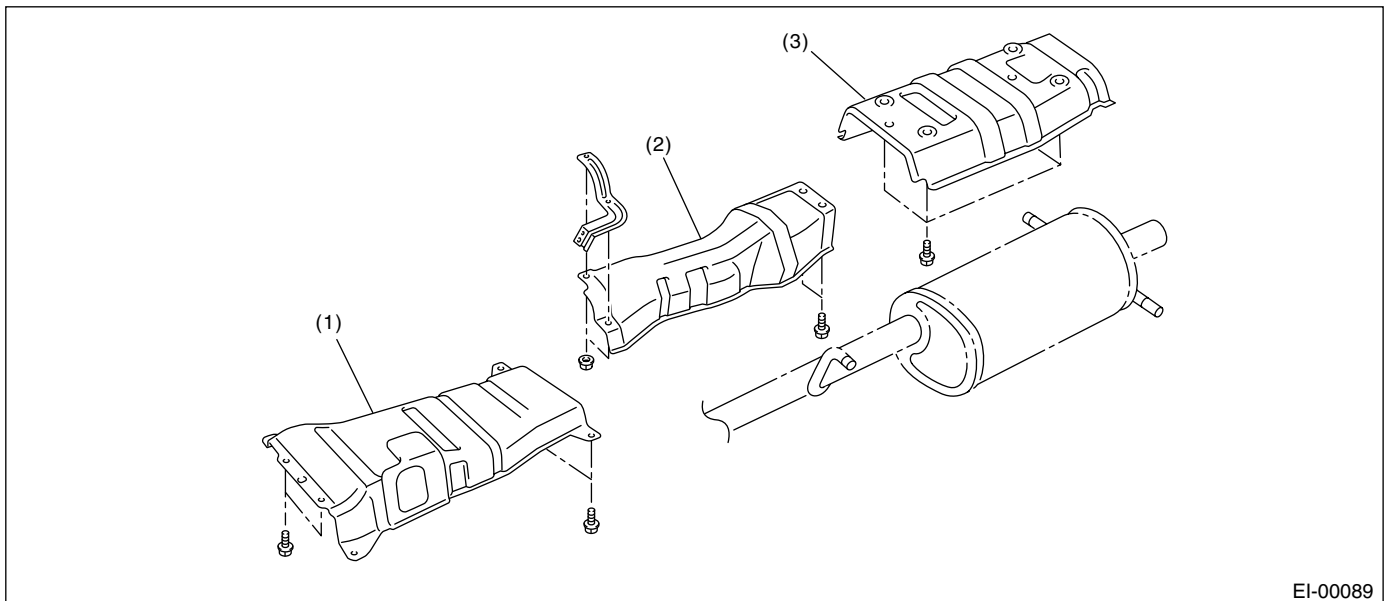
EI-00433

- (1) Front floor mat
- (2) Floor box

- (3) Side floor mat (RH)
- (4) Center floor mat

- (5) Side floor mat (LH)

22.HEAT SHIELD COVER



EI-00089

- (1) Front heat shield cover

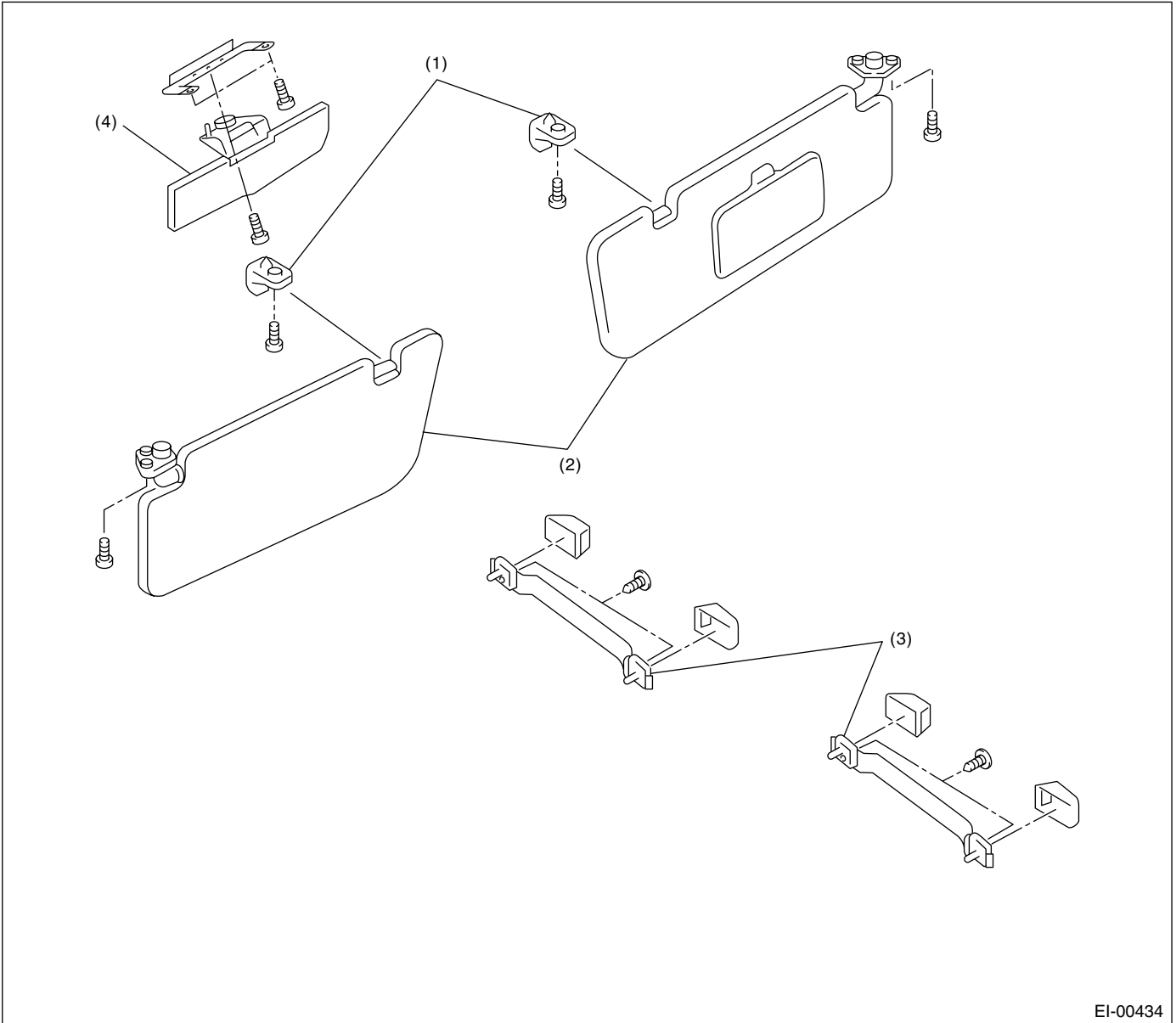
- (2) Center heat shield cover

- (3) Rear heat shield cover

GENERAL DESCRIPTION

EXTERIOR/INTERIOR TRIM

23.INNER ACCESSORIES



EI-00434

(1) Hook

(3) Assist grip

(4) Center visor

(2) Sun visor

B: PREPARATION TOOL

TOOL NAME	REMARKS
Clip remover	Used for removal of trim.
Clip clamp pliers	Used for removal of various clips and clamps.