

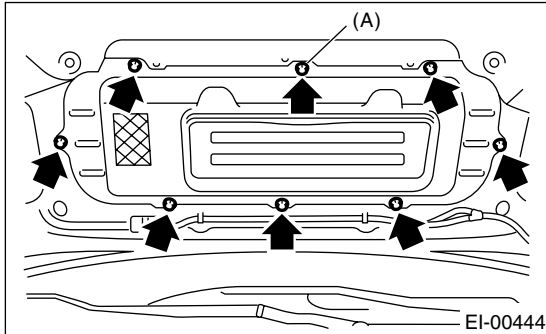
HOOD GRILLE

EXTERIOR/INTERIOR TRIM

3. Hood Grille

A: REMOVAL

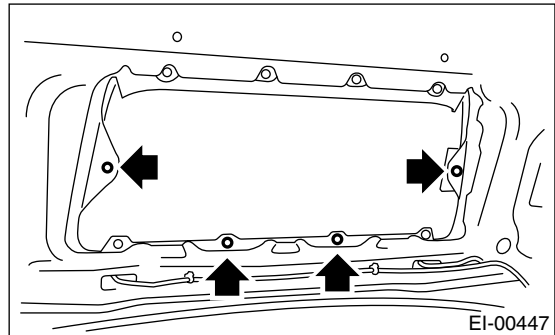
- 1) Remove the hood insulator.
- 2) Remove the seven bolts and clip (A) to remove the hood duct.



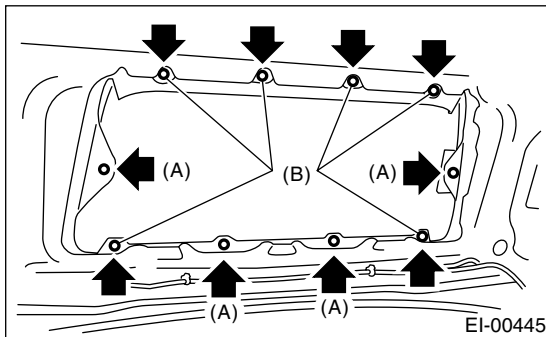
- 2) Engage the four clips of hood grille to front hood panel.

CAUTION:

Make sure that the anchor portion of each clip is firmly engaged.



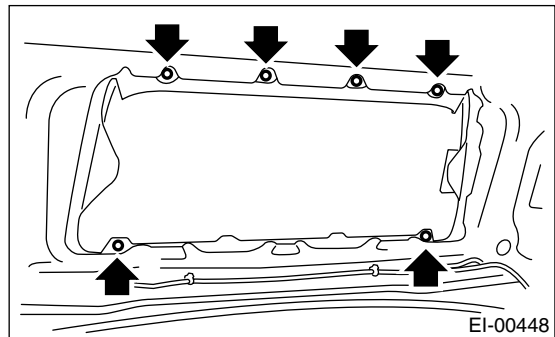
- 3) Loosen the six nuts (B), remove the four clips (A), and then remove the hood grille.



- 3) Install the five nuts.

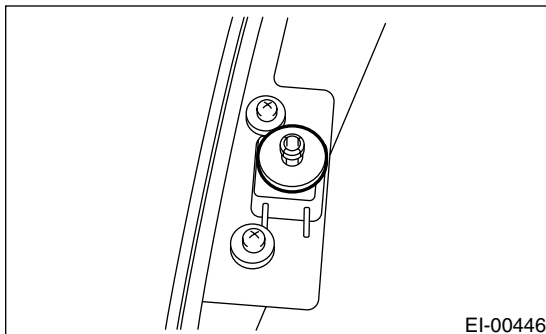
Tightening torque:

4.5 N·m (0.46 kgf·m, 3.32 ft·lb)

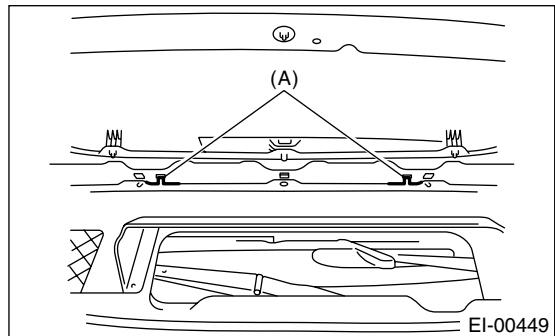


B: INSTALLATION

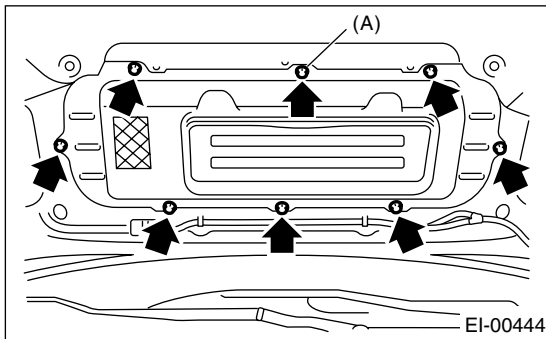
- 1) Replace the four clips with new ones.



- 4) Catch the two hooks (A) of hood duct to hood holes.



5) Install the hood duct with clip (A) and seven bolts.



6) Install the hood insulator with new clips.

C: INSPECTION

Make sure that the clip is firmly engaged.

Make sure that there is no abnormal gap at whole periphery of hood grille.

Make sure that there is no damage on hood grille.