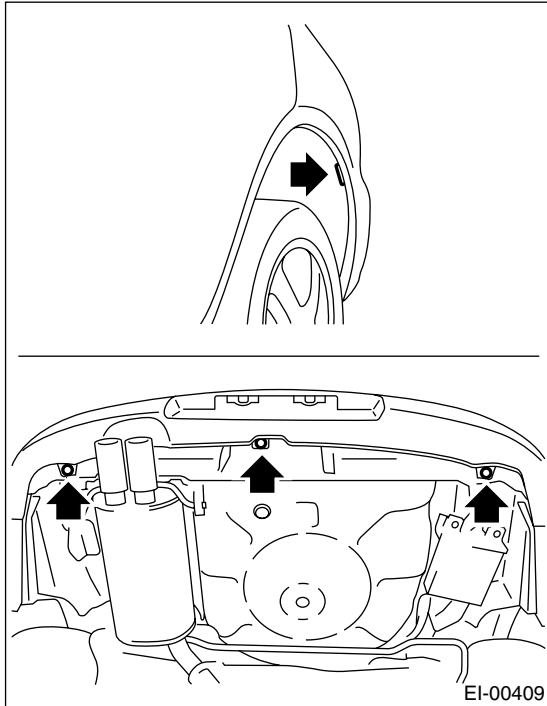


6. Rear Bumper

A: REMOVAL

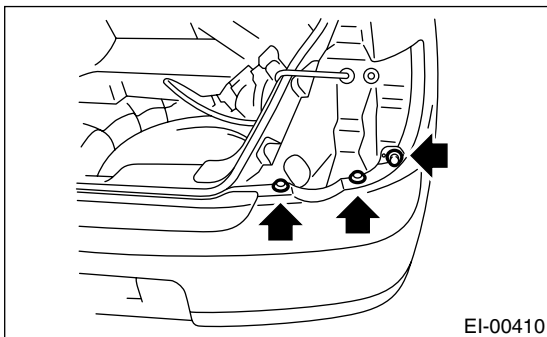
1. WAGON MODEL

- 1) Disconnect the ground cable from battery.
- 2) Remove the bolt inside wheel house (both sides), and the clips on lower side of bumper.



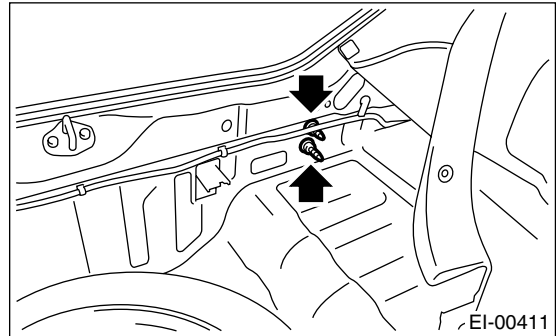
- 3) Remove the rear combination light assembly. <Ref. to LI-20, REMOVAL, Rear Combination Light Assembly.>

- 4) Remove the screw and two clips (both sides).



- 5) Remove the floor box.
- 6) Remove the rear skirt trim.

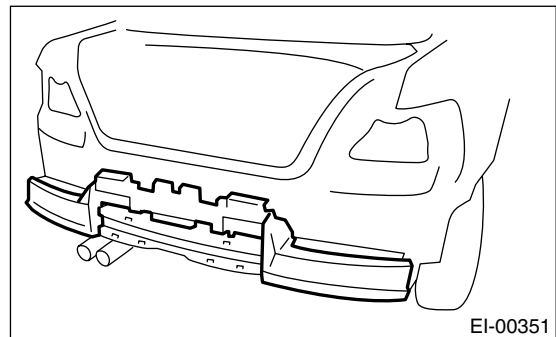
- 7) Turn over the rear quarter lower trims on both sides, and then loosen the four nuts.



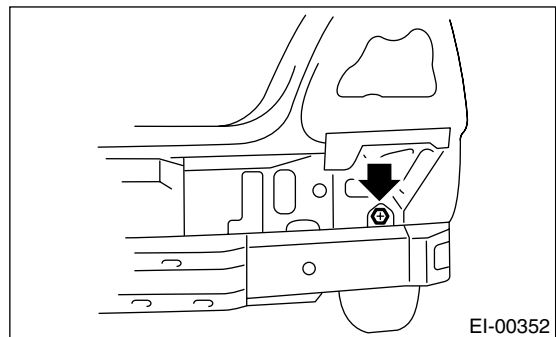
- 8) Disconnect the license plate light connector, and then remove the rear bumper.

- 9) Remove the E/A FORM from bumper beam.

CAUTION:
E/A FORM may easily break. Do not apply excessive force to it during removal.



- 10) Remove the bolt.



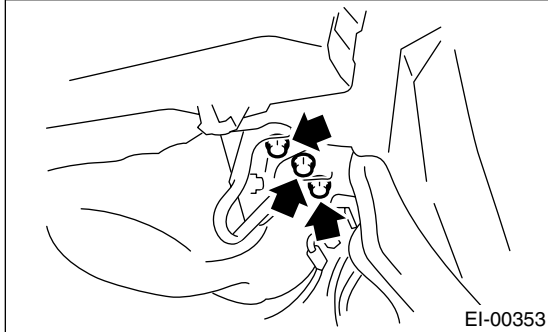
REAR BUMPER

EXTERIOR/INTERIOR TRIM

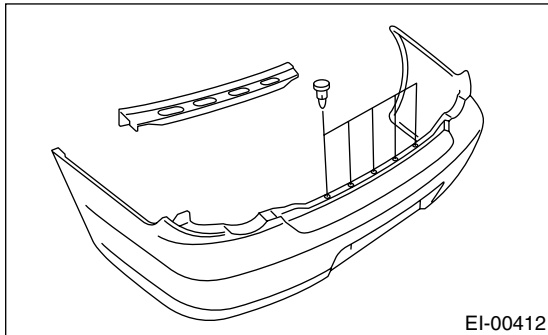
11) Remove the three bolts, then remove the bumper beam.

NOTE:

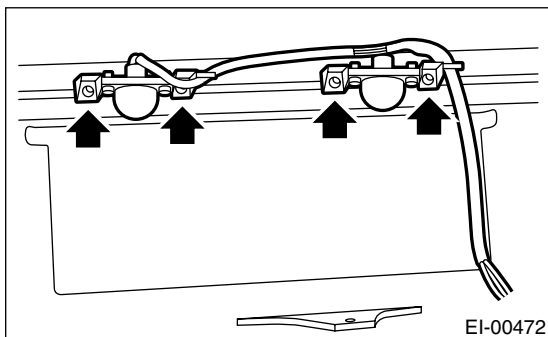
In the case of right side, remove the canister first. Loosen the bolt, and then remove the bumper beam.



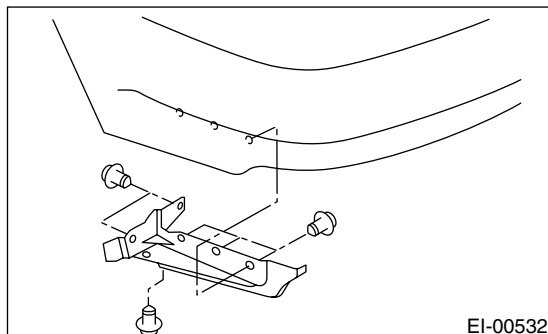
12) Remove the five clips, and then remove the bumper upper beam.



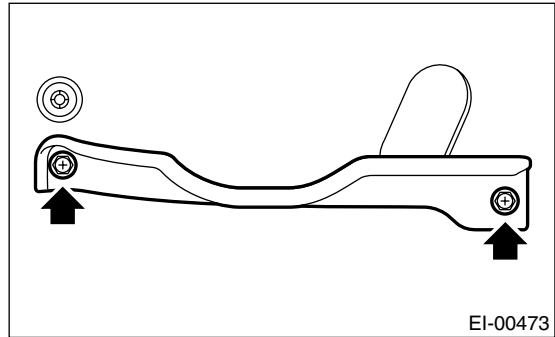
13) Remove the license plate light.



14) Remove the six clips, and then remove the bumper side cover.



15) Remove the upper bracket from body.



2. SEDAN MODEL

Refer to description about removal of rear bumper of wagon model. <Ref. to EI-29, WAGON MODEL, REMOVAL, Rear Bumper.>

B: INSTALLATION

1. WAGON MODEL

Install in the reverse order of removal.

Tightening torque:

Refer to **COMPONENT** in *General Description*.

<Ref. to EI-5, REAR BUMPER.>

2. SEDAN MODEL

Install in the reverse order of removal.

Tightening torque:

Refer to **COMPONENT** in *General Description*.

<Ref. to EI-5, REAR BUMPER.>

C: REPAIR

Refer to description about repair of front bumper. <Ref. to EI-23, REMOVAL, Front Bumper.>