

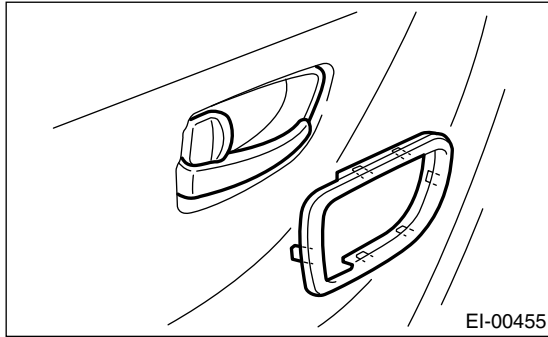
13. Front Door Trim

A: REMOVAL

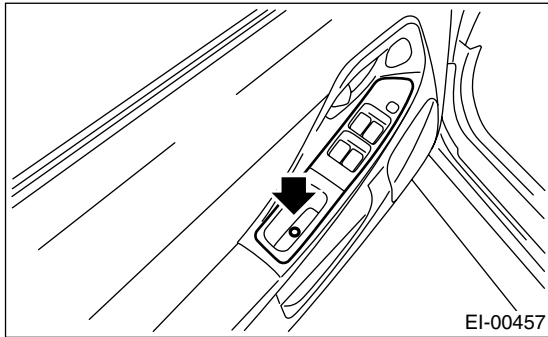
CAUTION:

Do not apply excessive force to the clip. Otherwise the clip may be broken.

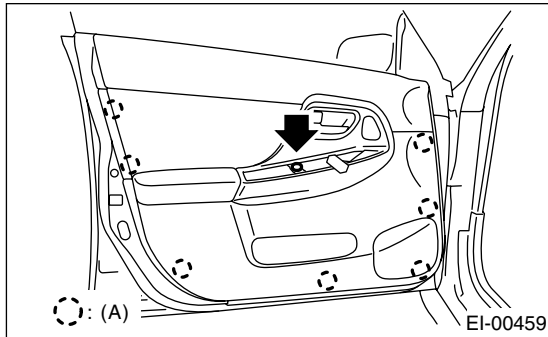
- 1) Disconnect the ground cable from battery.
- 2) Pull the inner remote cover toward you to remove upper hook. Pull down it to remove the lower hook. Remove the inner remote cover.



- 3) Remove the screw.
- 4) Remove the power window switch assembly and disconnect the harness connector.



- 5) Remove the screw.
- 6) Remove the clips (A) of trim panel using clip remover to remove the trim panel.



B: INSTALLATION

Install in the reverse order of removal.