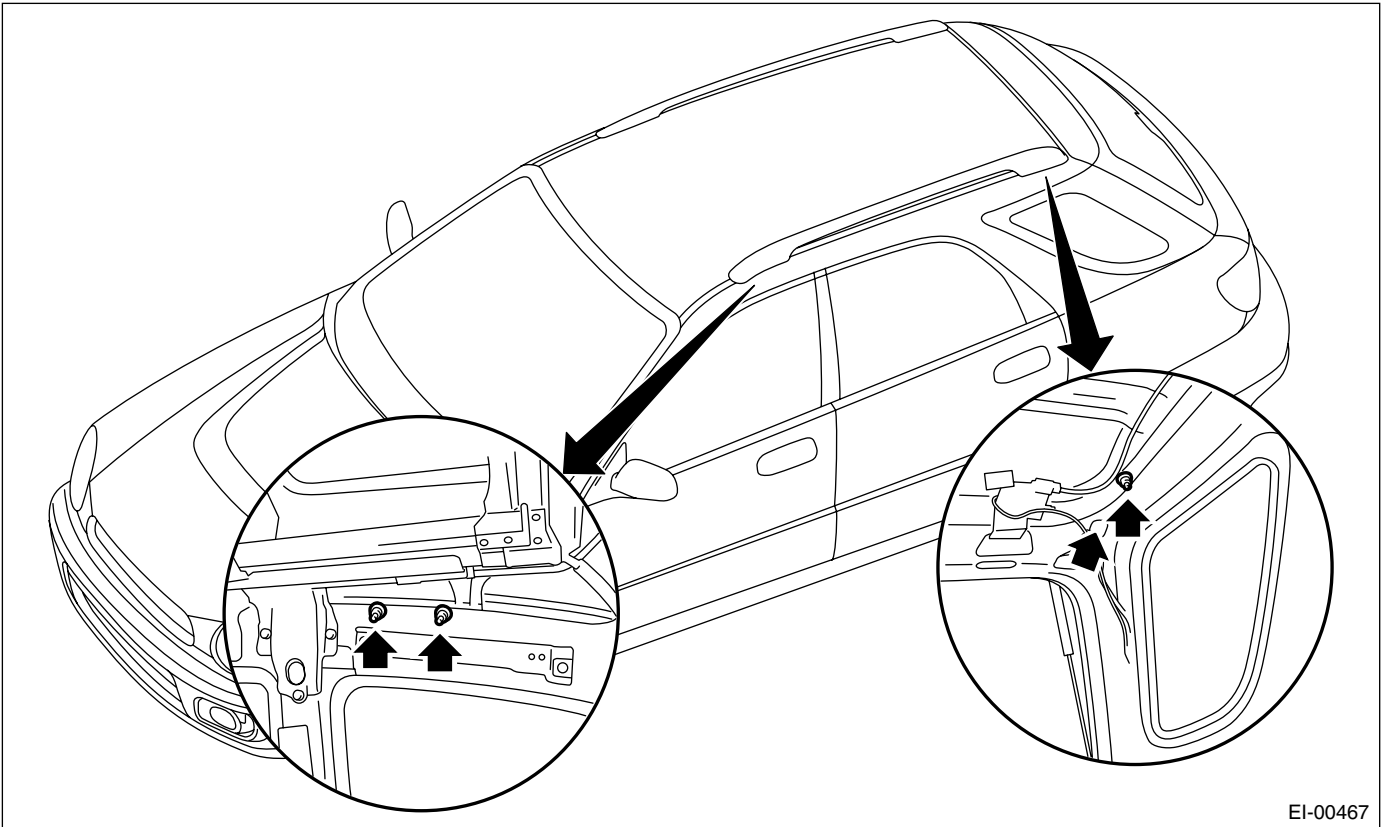


## 16. Roof Rail

### A: REMOVAL

- 1) Remove the roof trim. <Ref. to EI-51, REMOVAL, Roof Trim.>
- 2) Remove the four mounting nuts, and then detach the roof rail carefully.



### B: INSTALLATION

Install in the reverse order of removal.

#### CAUTION:

**Be careful not to scratch the body panels with roof rail stud bolts when removing and installing them.**

*Tightening torque:*

*7.4 N·m (0.75 kgf·m, 5.46 ft·lb)*