

INSTRUMENT PANEL ASSEMBLY

EXTERIOR/INTERIOR TRIM

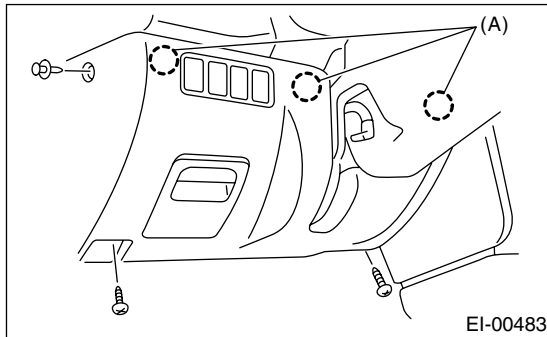
19. Instrument Panel Assembly

A: REMOVAL

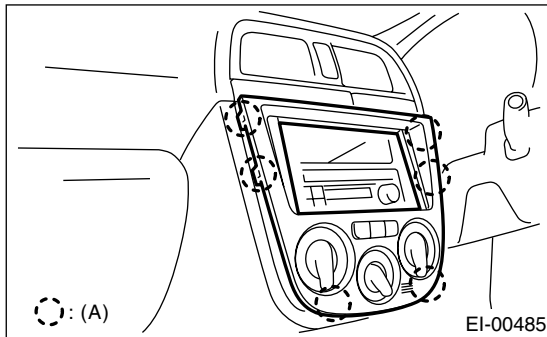
CAUTION:

- All airbag system wiring harness and connectors are colored yellow. Do not use electrical equipment on these circuits.
- Be careful not to damage the airbag system harness when servicing the instrument panel.

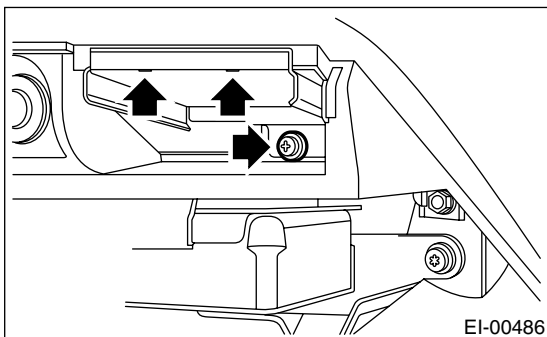
- 1) Disconnect the ground cable from battery.
- 2) Loosen the screws, remove the clip (A), disconnect the connectors, and then remove the instrument panel lower cover.



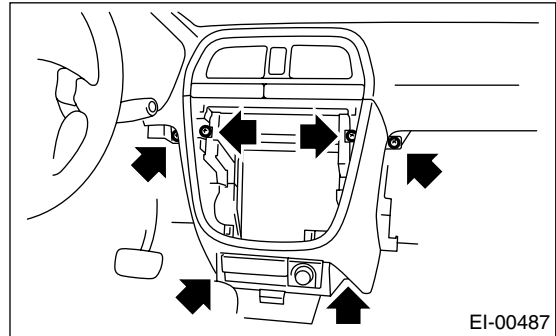
- 3) Remove the clip (A), and then remove the center console panel.



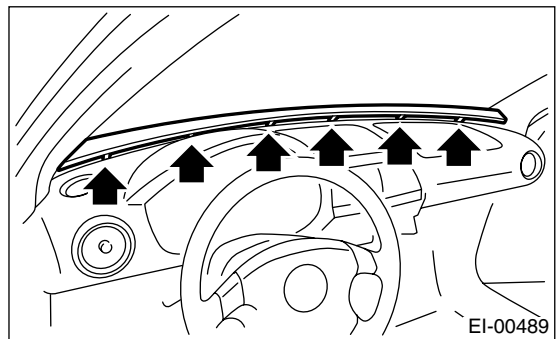
- 4) Remove the glove box. <Ref. to EI-40, REMOVAL, Glove Box.>
- 5) Remove the passenger's airbag module. <Ref. to AB-13, Passenger's Airbag Module.>
- 6) Remove the ashtray, and then remove the three screws.



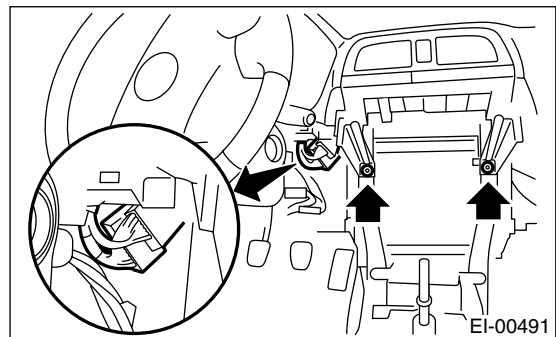
- 7) Loosen the four screws and two nuts, and then remove the lower console panel.



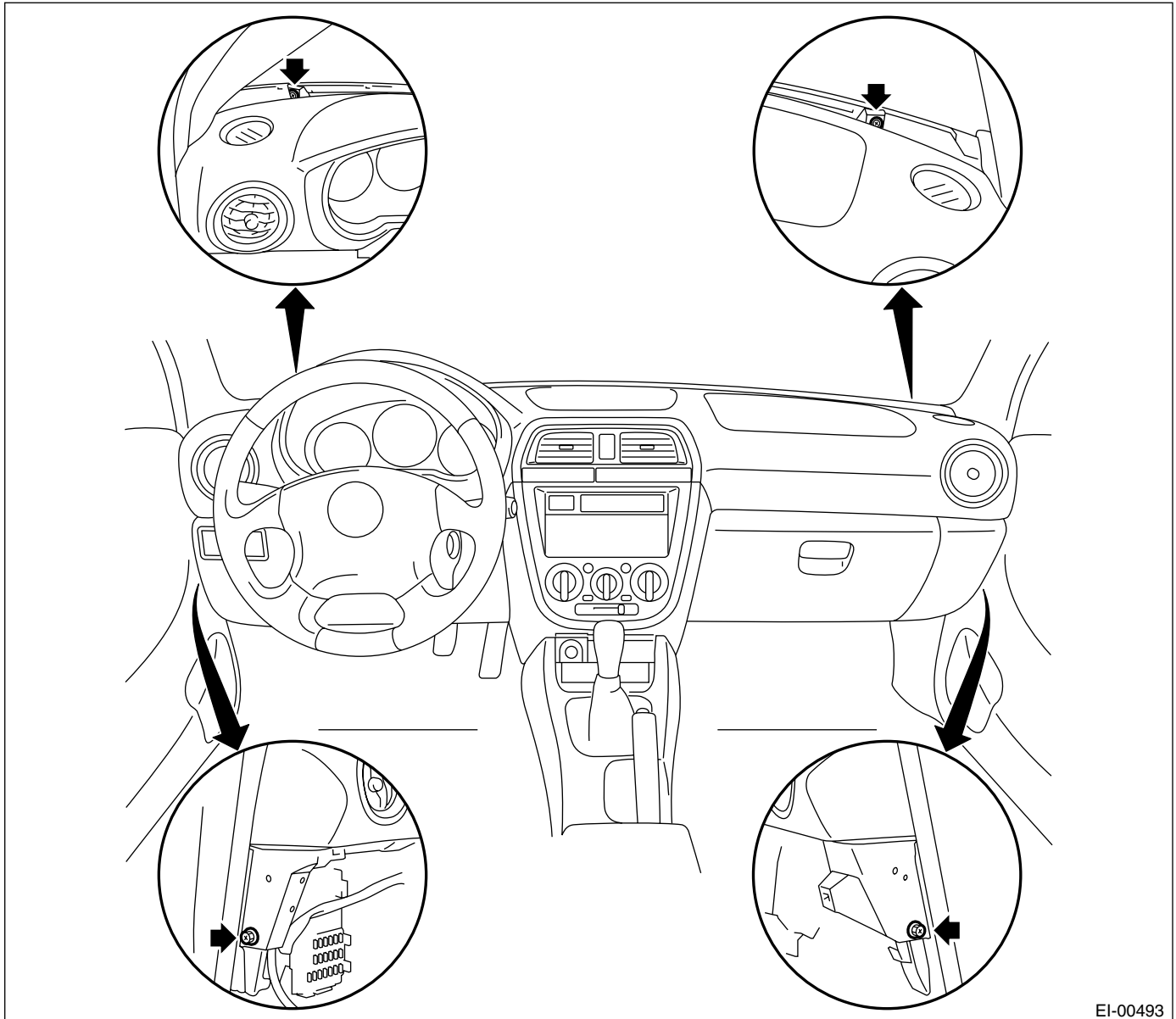
- 8) Remove the hook, and then remove the defroster panel.



- 9) Remove the front pillar upper trim. <Ref. to EI-47, REMOVAL, Upper Inner Trim.>
- 10) Disconnect the two connectors, and then loosen the nuts.



11) Remove the instrument panel installation bolts.



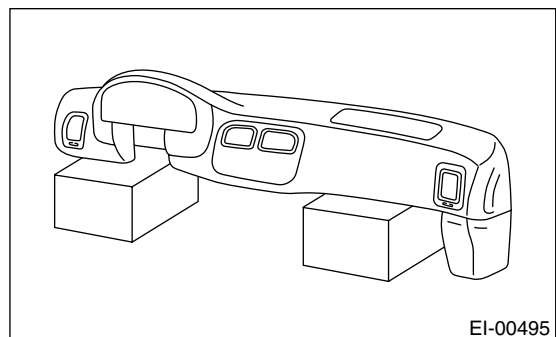
EI-00493

12) Check that all the harness is disconnected, and then remove the instrument panel from vehicle.

NOTE:

- Put alignment marks as necessary, in order to facilitate the reassembly.

- When storing the removed instrument panel, place it standing up on the floor.



EI-00495

