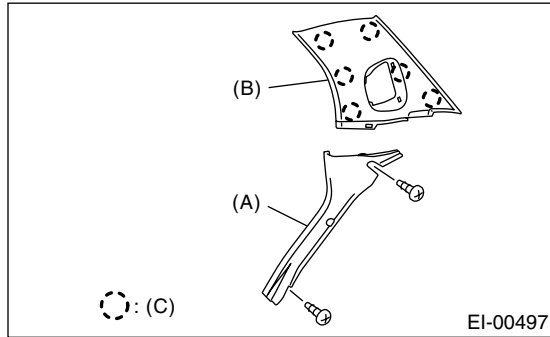


22.Rear Quarter Trim

A: REMOVAL

1. SEDAN MODEL

- 1) Remove the rear seat. <Ref. to SE-16, REMOVAL, Rear Seat.>
- 2) Remove the side sill rear cover. <Ref. to EI-48, REMOVAL, Lower Inner Trim.>
- 3) Remove the rear pillar lower cover (A).
- 4) Remove the seat belt lower anchor bolt, and then remove the rear pillar upper trim (B).

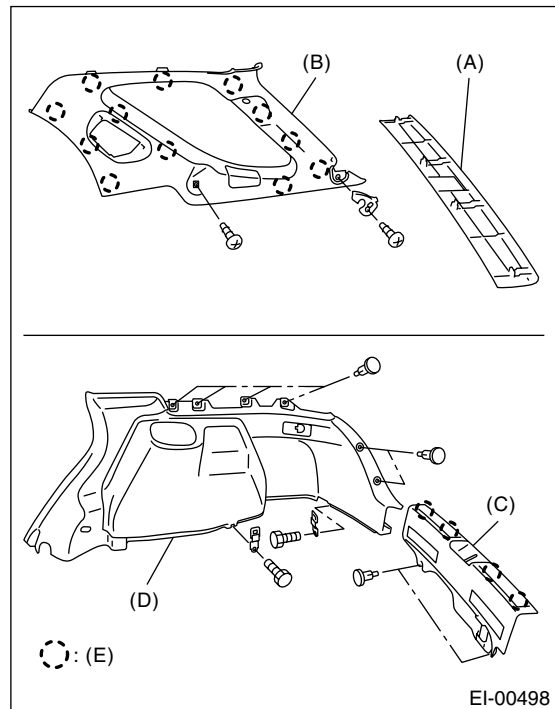


(C) Clip

2. WAGON MODEL

- 1) Remove the rear seat. <Ref. to SE-16, REMOVAL, Rear Seat.>
- 2) Remove the side sill rear cover.
- 3) Remove the rear rail trim (A).
- 4) Loosen the screws and clips to remove the rear quarter upper trim (B).
- 5) Remove the rear skirt trim (C).

- 6) Loosen the bolts and clips to remove the rear quarter lower trim (D).



(E) Clip

B: INSTALLATION

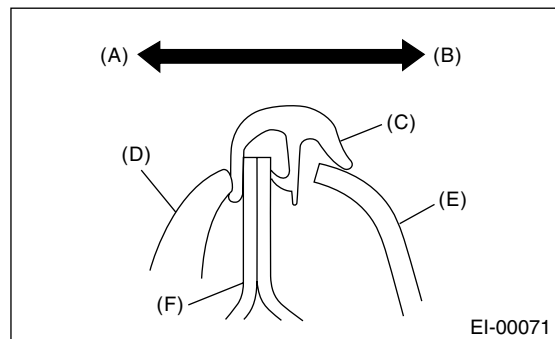
Install in the reverse order of removal.

CAUTION:

Be sure to securely hook the pawls of inner trim panel to body flange.

NOTE:

When installing the rear quarter upper trim, be sure to set the rear molding as shown in the figure.



- (A) Outside
- (B) Inside
- (C) Molding
- (D) Weather strip
- (E) Trim
- (F) Body