

24. Roof Trim

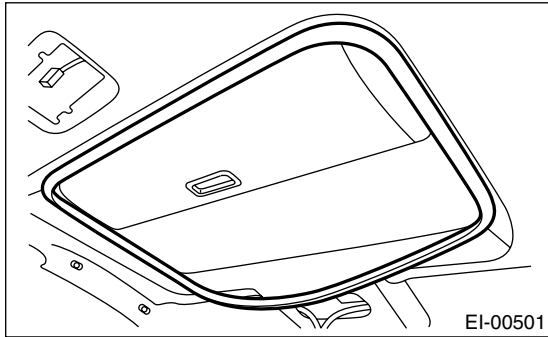
A: REMOVAL

CAUTION:

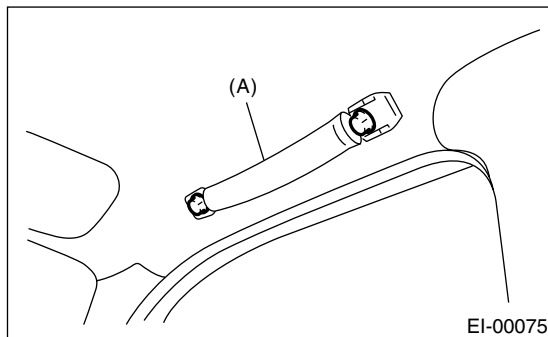
When removing the clip, use great care not to damage the roof trim.

1. SEDAN MODEL

- 1) Disconnect the ground cable from battery.
- 2) Remove the sunroof switch. (Model with sunroof) <Ref. to SR-9, REMOVAL, Sunroof Switch.>
- 3) Remove the spot map light. <Ref. to LI-26, REMOVAL, Spot Map Light.>
- 4) Remove the room light. <Ref. to LI-27, REMOVAL, Room Light.>
- 5) Remove the sun visor and hook on right or left side, or on both sides. <Ref. to EI-50, REMOVAL, Sun Visor.>
- 6) In the case of models with sunroof, remove the sunroof weather strip.

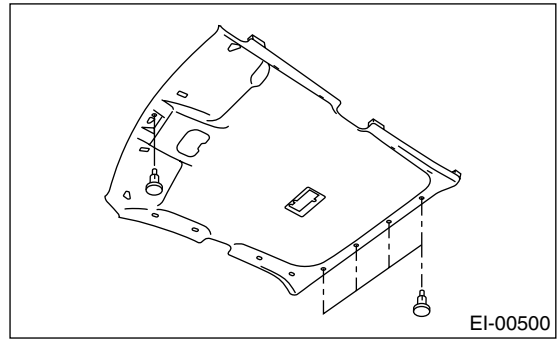


- 7) Remove the assist-grips (A).



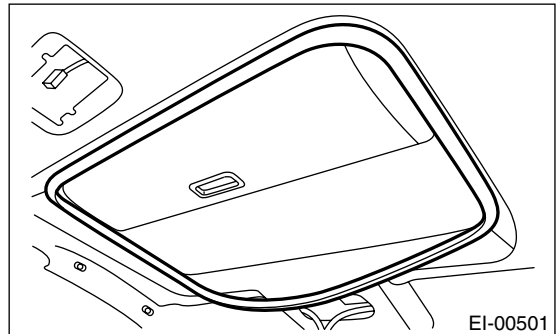
- 8) Remove the upper inner trim. <Ref. to EI-47, REMOVAL, Upper Inner Trim.>
- 9) Remove the quarter upper trim. <Ref. to EI-49, SEDAN MODEL, REMOVAL, Rear Quarter Trim.>

- 10) Remove the clips, and then remove the roof trim.

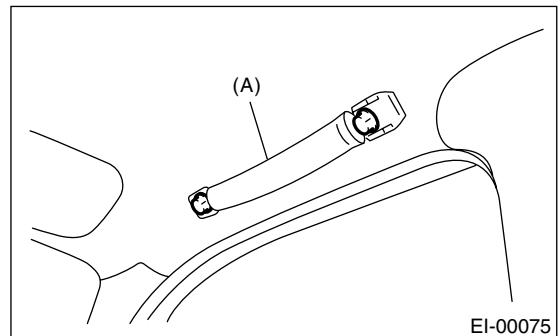


2. WAGON MODEL

- 1) Disconnect the ground cable from battery.
- 2) Remove the sunroof switch. (Model with sunroof) <Ref. to SR-9, REMOVAL, Sunroof Switch.>
- 3) Remove the room light. <Ref. to LI-27, REMOVAL, Room Light.>
- 4) Remove the sun visor and hook or both sides. <Ref. to EI-50, REMOVAL, Sun Visor.>
- 5) In case of models with sunroof, remove the sunroof weather strip.



- 6) Remove the assist-grips (A).

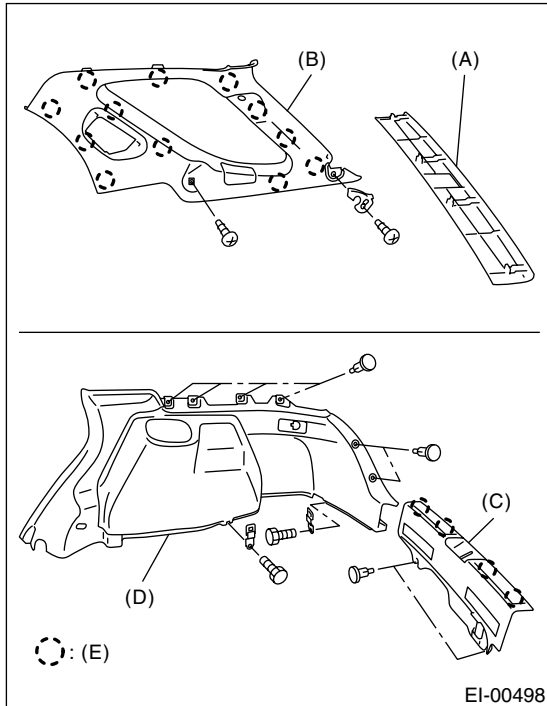


- 7) Remove the upper inner trim. <Ref. to EI-47, REMOVAL, Upper Inner Trim.>
- 8) Remove the rear quarter upper trim shown in the figure.
- 9) Remove the rear rail trim (A).

ROOF TRIM

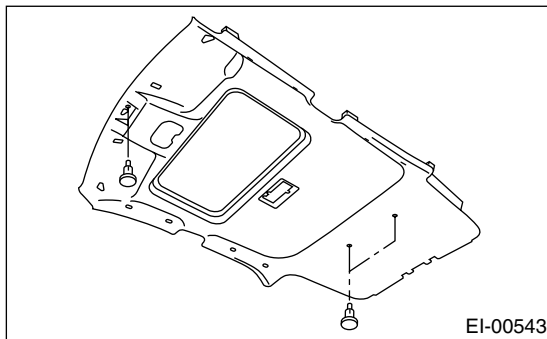
EXTERIOR/INTERIOR TRIM

10) Remove the rear quarter upper trim (B) of both sides.



(E) Clip

11) Remove the clips, and then remove the roof trim.



B: INSTALLATION

Install in the reverse order of removal.