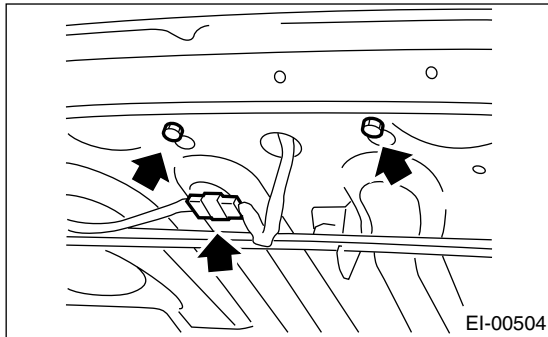


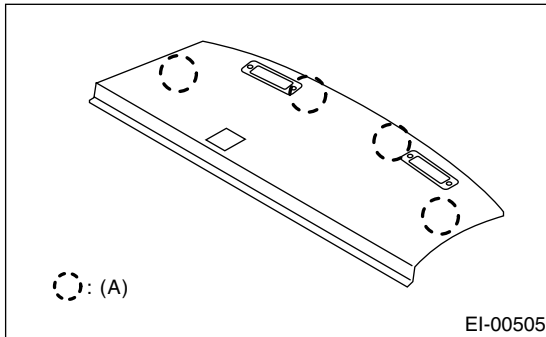
26.Rear Shelf Trim

A: REMOVAL

- 1) Disconnect the ground cable from battery.
- 2) Remove the high mount stop light.



- 3) Remove the rear quarter upper trim. <Ref. to EI-49, REMOVAL, Rear Quarter Trim.>
- 4) Remove the seat belt center anchor lower bolt.
- 5) Remove the rear shelf trim.



(A) Clip

B: INSTALLATION

Install in the reverse order of removal.