

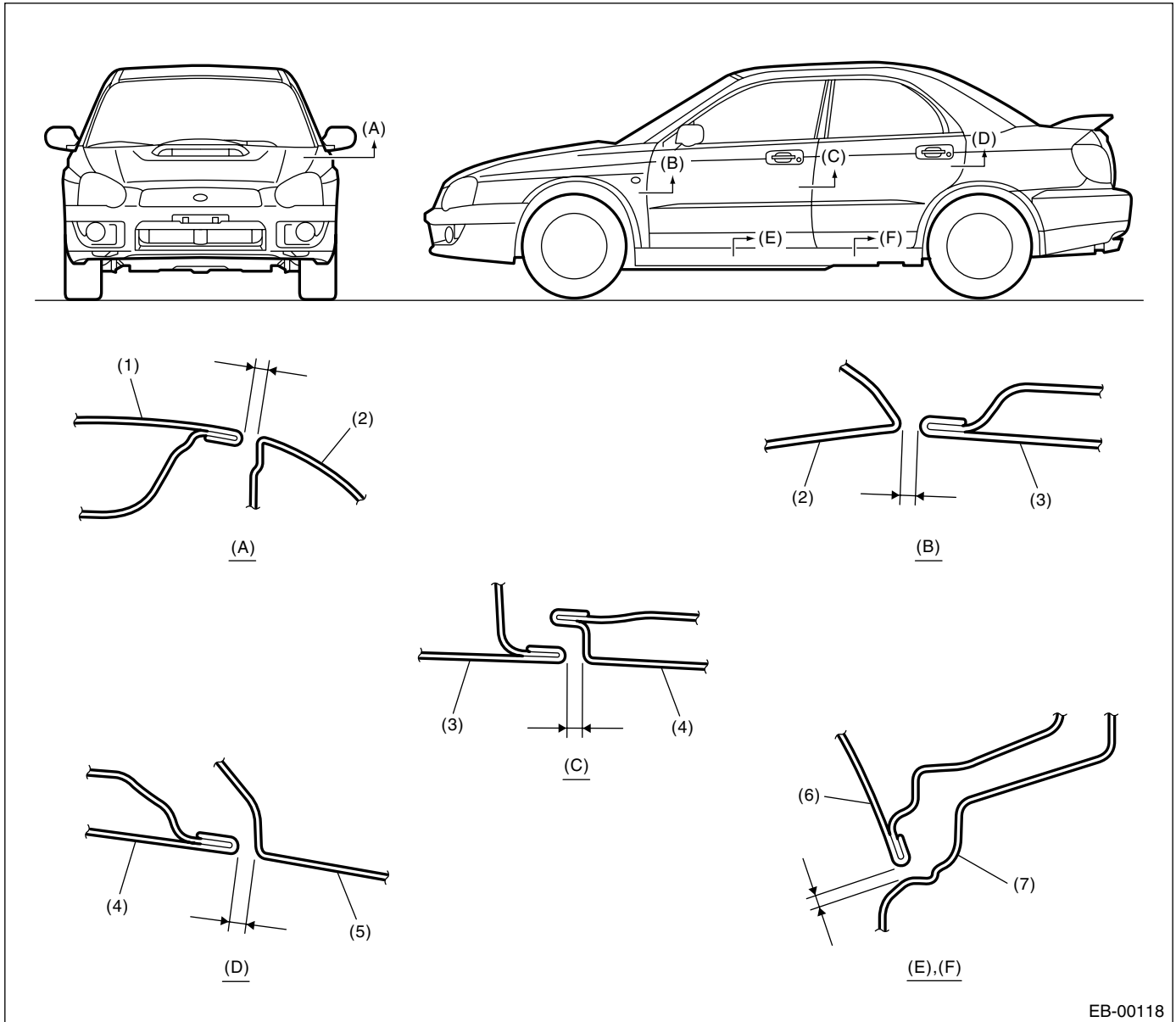
# GENERAL DESCRIPTION

## EXTERIOR BODY PANELS

### 1. General Description

#### A: SPECIFICATIONS

##### 1. SIDE

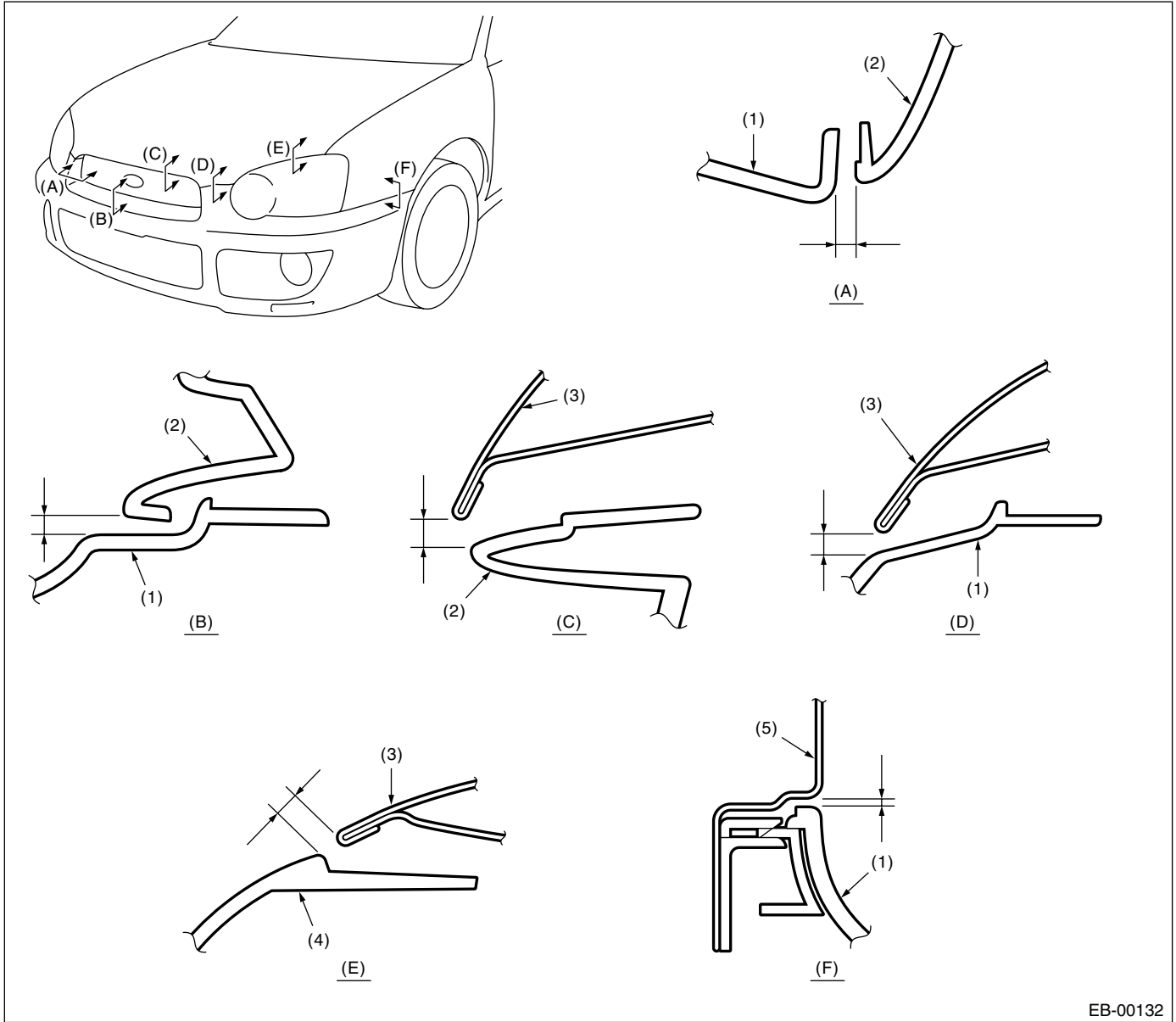


EB-00118

- |                        |                        |               |
|------------------------|------------------------|---------------|
| (1) Front hood panel   | (4) Rear door panel    | (7) Side sill |
| (2) Front fender panel | (5) Rear quarter panel |               |
| (3) Front door panel   | (6) Door panel         |               |

Section	Part	Standard
(A)	Front hood panel to Front fender panel	NON-TURBO: 4.0±1.0 mm (0.16±0.04 in) TURBO: 3.7±1.0 mm (0.15±0.04 in)
(B)	Front fender panel to Front door panel	4.7±1.0 mm (0.19±0.04 in)
(C)	Front door panel to Rear door panel	5.1±1.0 mm (0.20±0.04 in)
(D)	Rear door panel to Rear quarter panel	4.6±1.0 mm (0.18±0.04 in)
(E), (F)	Door panel to Side sill	5.9±1.0 mm (0.23±0.04 in)

### 2. FRONT



EB-00132

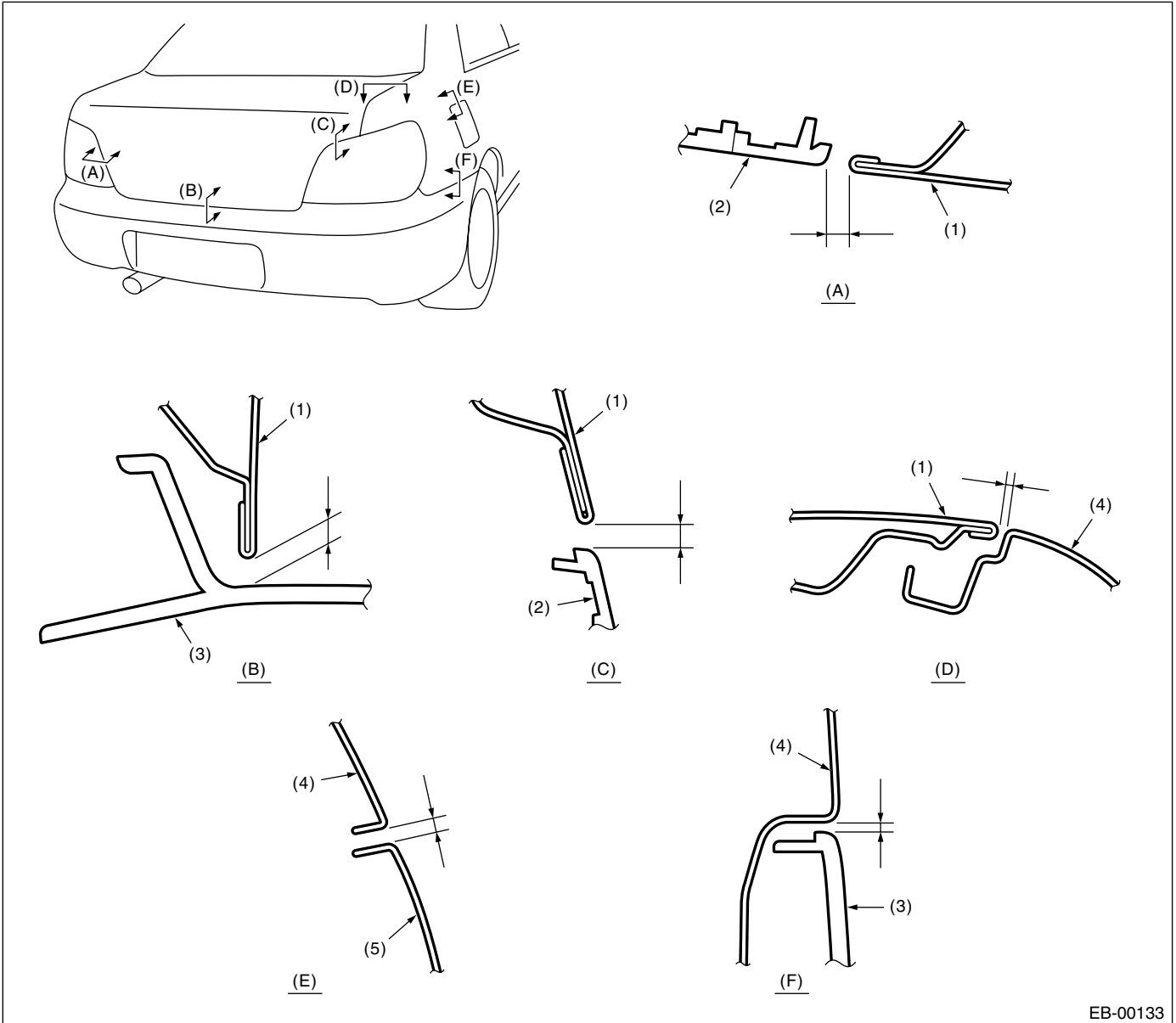
- |                  |                      |                        |
|------------------|----------------------|------------------------|
| (1) Front bumper | (3) Front hood panel | (5) Front fender panel |
| (2) Front grille | (4) Headlight        |                        |

Section	Part	Standard
(A)	Front bumper to Front grille (Lateral direction)	1.0±0.5 mm (0.04±0.02 in)
(B)	Front bumper to Front grille (Longitudinal direction)	1.0±1.0 mm (0.04±0.04 in)
(C)	Front hood panel to Front grille	Steel: 6.8±1.0 mm (0.27±0.04 in) Aluminum: 6.5±1.0 mm (0.26±0.04 in)
(D)	Front hood panel to Front bumper	6.0±1.0 mm (0.24±0.04 in)
(E)	Front hood panel to Headlight	5.5±1.0 mm (0.22±0.04 in)
(F)	Front fender panel to Front bumper	1.5±0.7 mm (0.06±0.03 in)

# GENERAL DESCRIPTION

## EXTERIOR BODY PANELS

### 3. REAR (SEDAN MODEL)

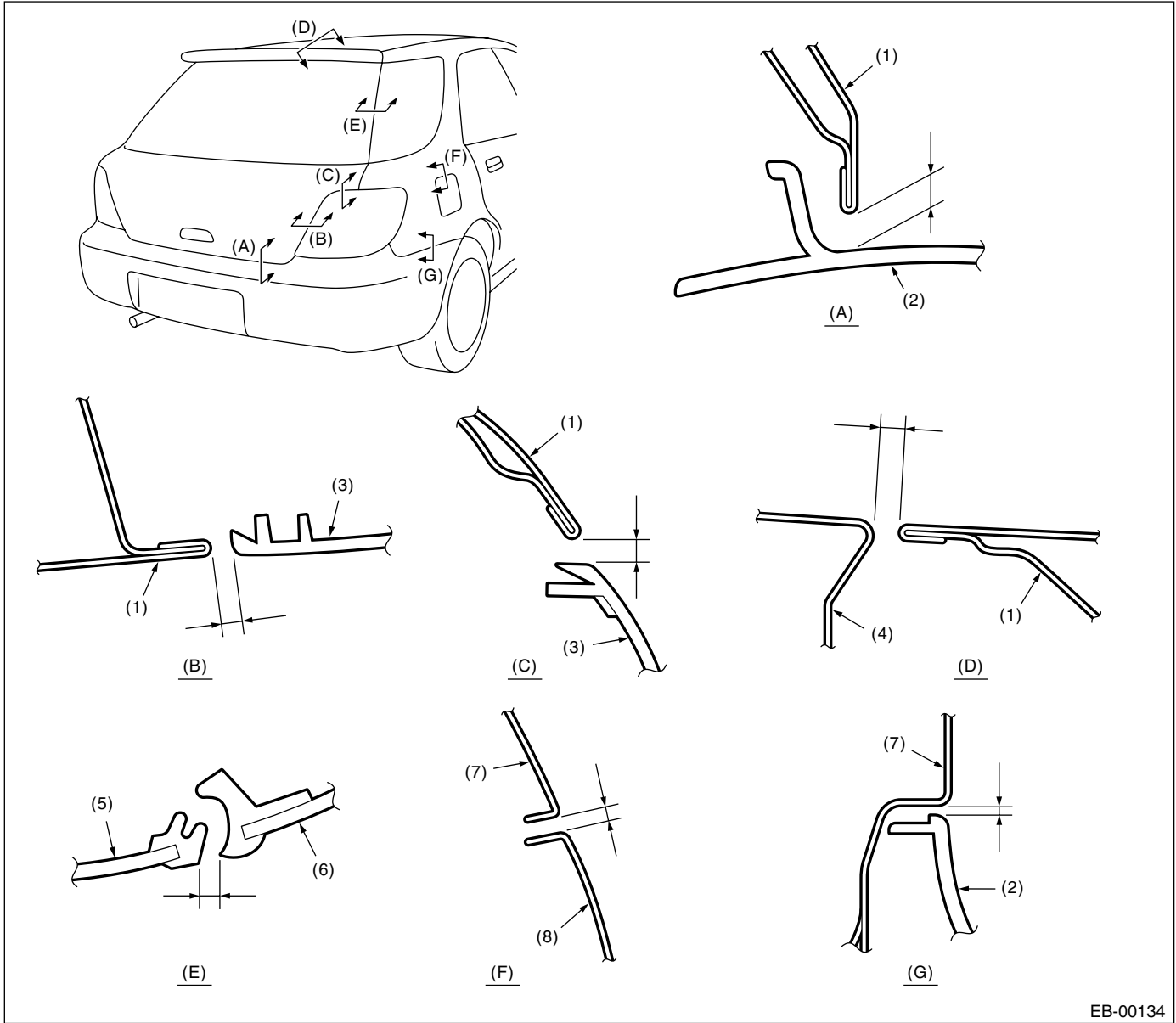


EB-00133

- (1) Trunk lid panel                      (3) Rear bumper                      (5) Fuel lid  
 (2) Rear combination light            (4) Rear fender panel

Section	Part	Standard
(A)	Trunk lid panel to Rear combination light (Lateral direction)	5.0±1.0 mm (0.20±0.04 in)
(B)	Trunk lid panel to Rear bumper	7.0±1.5 mm (0.28±0.06 in)
(C)	Trunk lid panel to Rear combination light (Longitudinal direction)	7.0±1.0 mm (0.28±0.04 in)
(D)	Trunk lid panel to Rear fender panel	4.0±1.0 mm (0.16±0.04 in)
(E)	Rear fender panel to Fuel lid	3.5±0.5 mm (0.14±0.02 in)
(F)	Rear fender panel to Rear bumper	0.3 — 2.2 mm (0.01 — 0.09 in)

## 4. REAR (WAGON MODEL)



EB-00134

- |                            |                        |                       |
|----------------------------|------------------------|-----------------------|
| (1) Rear gate panel        | (4) Roof panel         | (7) Rear fender panel |
| (2) Rear bumper            | (5) Rear gate glass    | (8) Fuel lid          |
| (3) Rear combination light | (6) Rear quarter glass |                       |

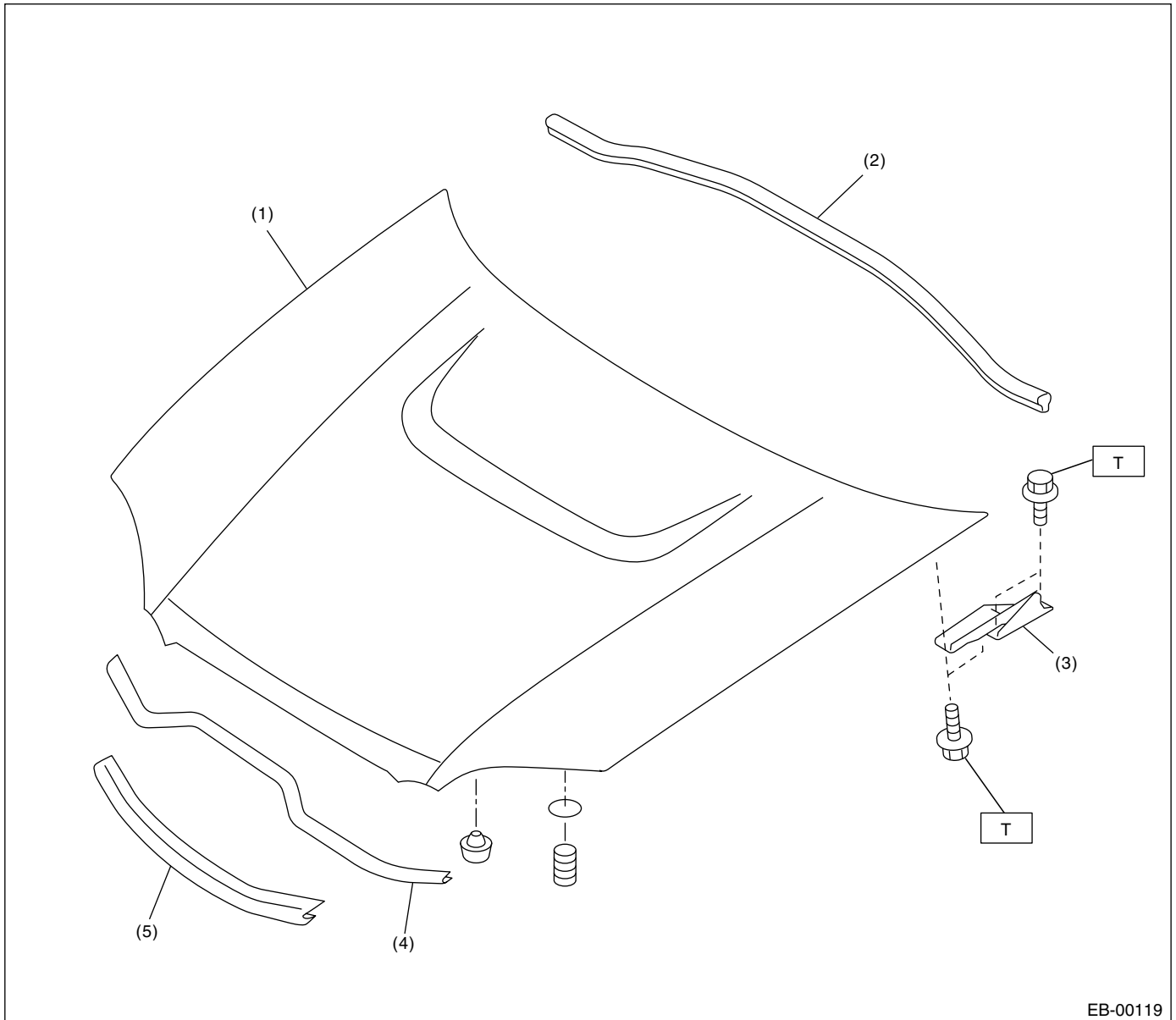
Section	Part	Standard
(A)	Rear gate panel to Rear bumper	8.3±1.5 mm (0.33±0.06 in)
(B)	Rear gate panel to Rear combination light (Lateral direction)	5.0±1.0 mm (0.20±0.04 in)
(C)	Rear gate panel to Rear combination light (Longitudinal direction)	6.0±1.0 mm (0.24±0.04 in)
(D)	Roof panel to Rear gate panel	6.1 — 7.6 mm (0.24 — 0.30 in)
(E)	Rear gate glass to Rear quarter glass	6.0±1.5 mm (0.24±0.06 in)
(F)	Rear fender panel to Fuel lid	3.5±0.5 mm (0.14±0.02 in)
(G)	Rear fender panel to Rear bumper	0.3 — 2.2 mm (0.01 — 0.09 in)

# GENERAL DESCRIPTION

## EXTERIOR BODY PANELS

### B: COMPONENT

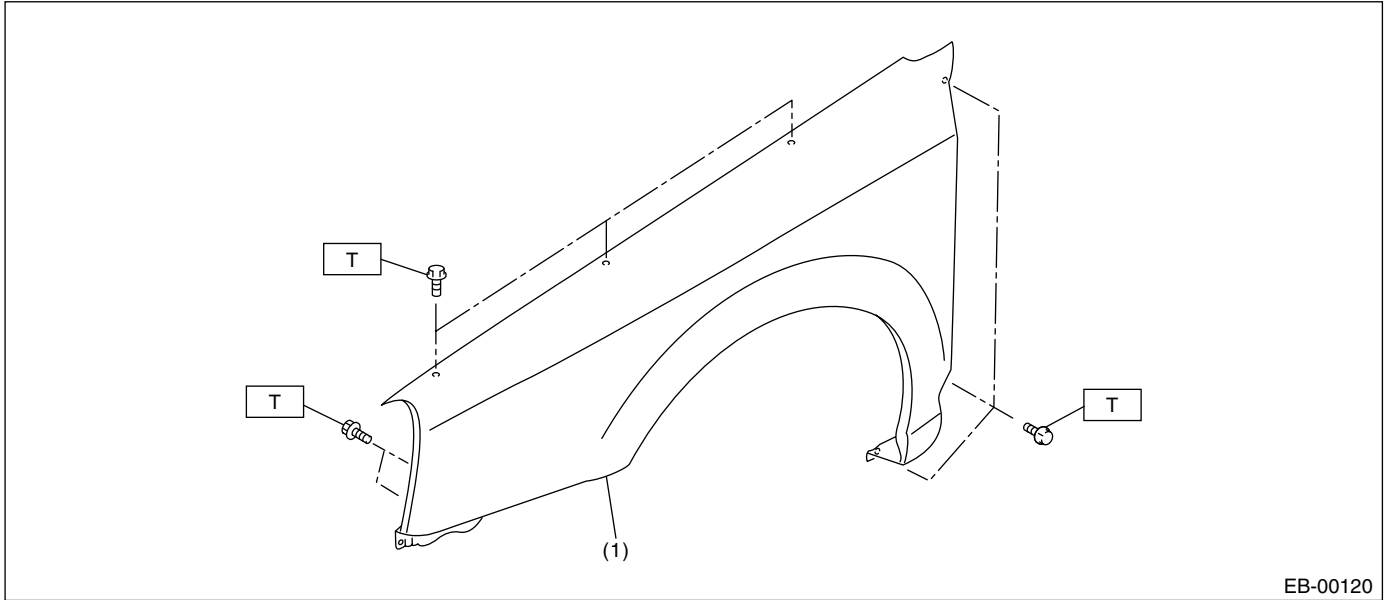
#### 1. FRONT HOOD



- (1) Front hood
- (2) Seal (Front panel)
- (3) Hinge
- (4) Seal (Intake duct)  
(Turbo model)
- (5) Seal (Hood)

**Tightening torque: N·m (kgf·m, ft·lb)**  
**T: 24.5 (2.5, 18.1)**

## 2. FRONT FENDER PANEL



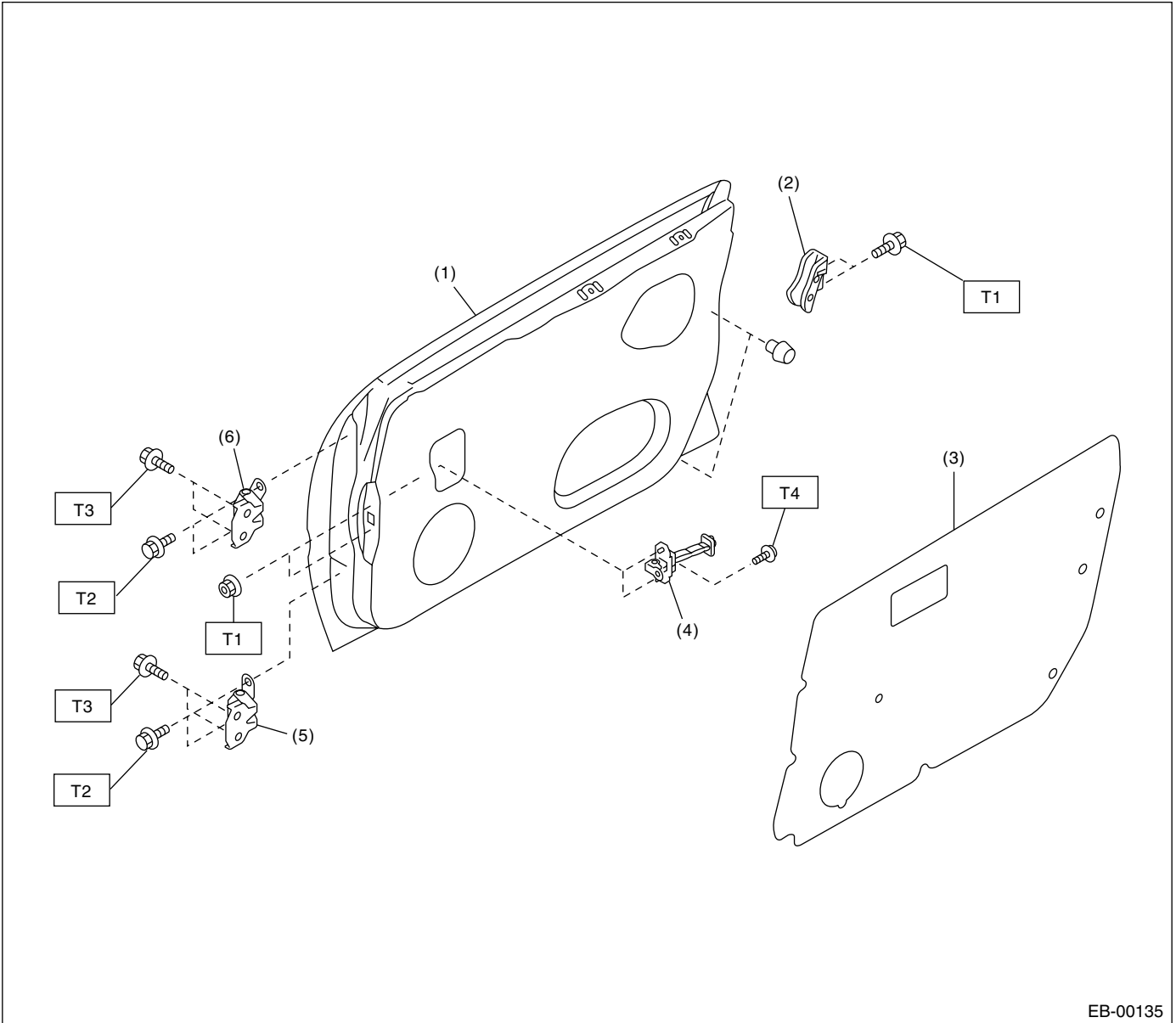
(1) Front fender panel

**Tightening torque: N·m (kgf·m, ft·lb)**  
**T: 7.4 (0.75, 5.5)**

# GENERAL DESCRIPTION

## EXTERIOR BODY PANELS

### 3. FRONT DOOR PANEL



- (1) Front door panel
- (2) Guide
- (3) Sealing cover

- (4) Checker
- (5) Lower hinge
- (6) Upper hinge

**Tightening torque: N-m (kgf-m, ft-lb)**

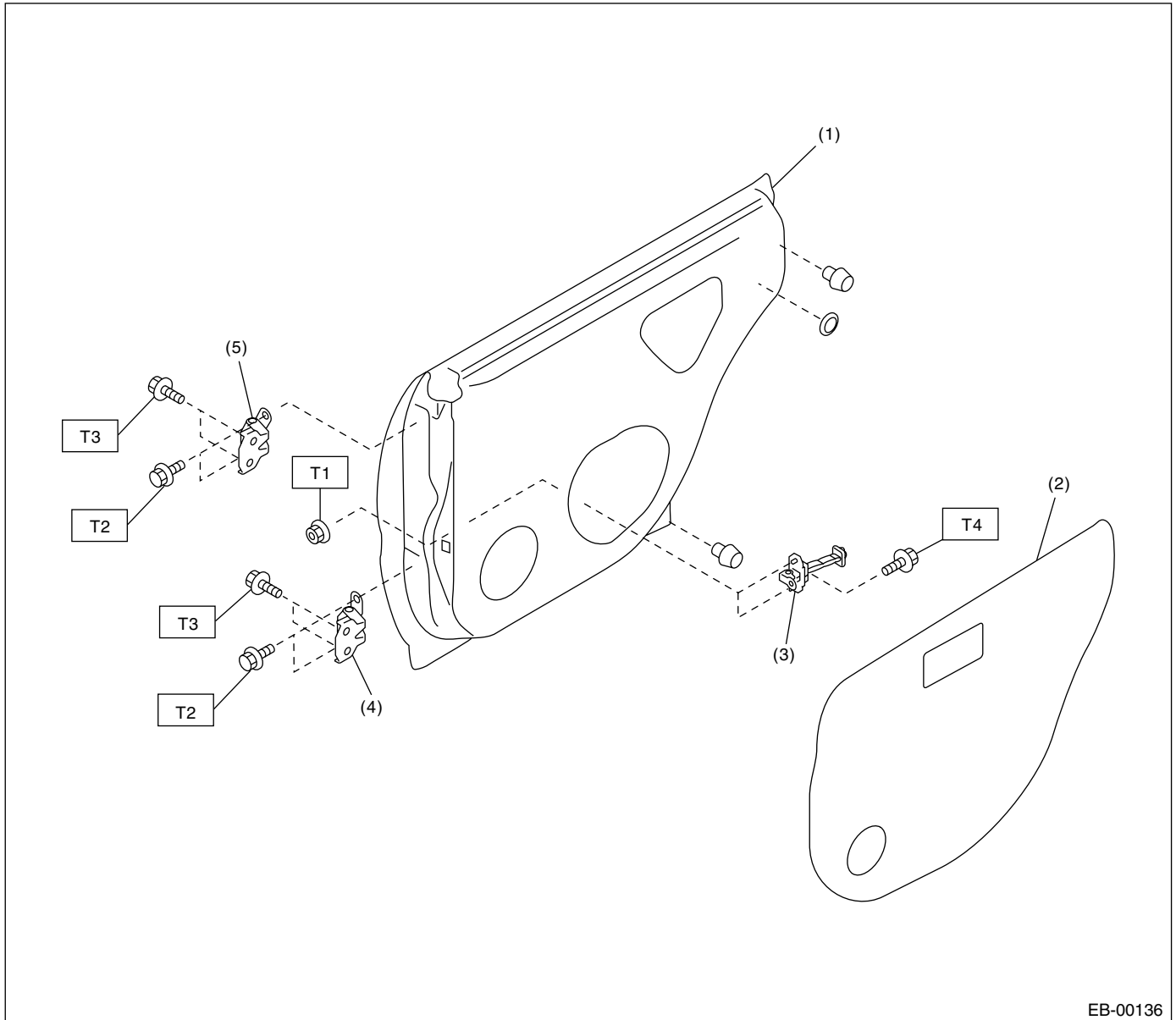
**T1: 7.4 (0.75, 5.5)**

**T2: 24.5 (2.5, 18.1)**

**T3: 29.4 (3.0, 21.7)**

**T4: 32.3 (3.3, 23.8)**

## 4. REAR DOOR PANEL



- (1) Rear door panel
- (2) Sealing cover
- (3) Checker

- (4) Lower hinge
- (5) Upper hinge

**Tightening torque: N·m (kgf·m, ft·lb)**

**T1: 7.4 (0.75, 5.5)**

**T2: 24.5 (2.5, 18.1)**

**T3: 29.4 (3.0, 21.7)**

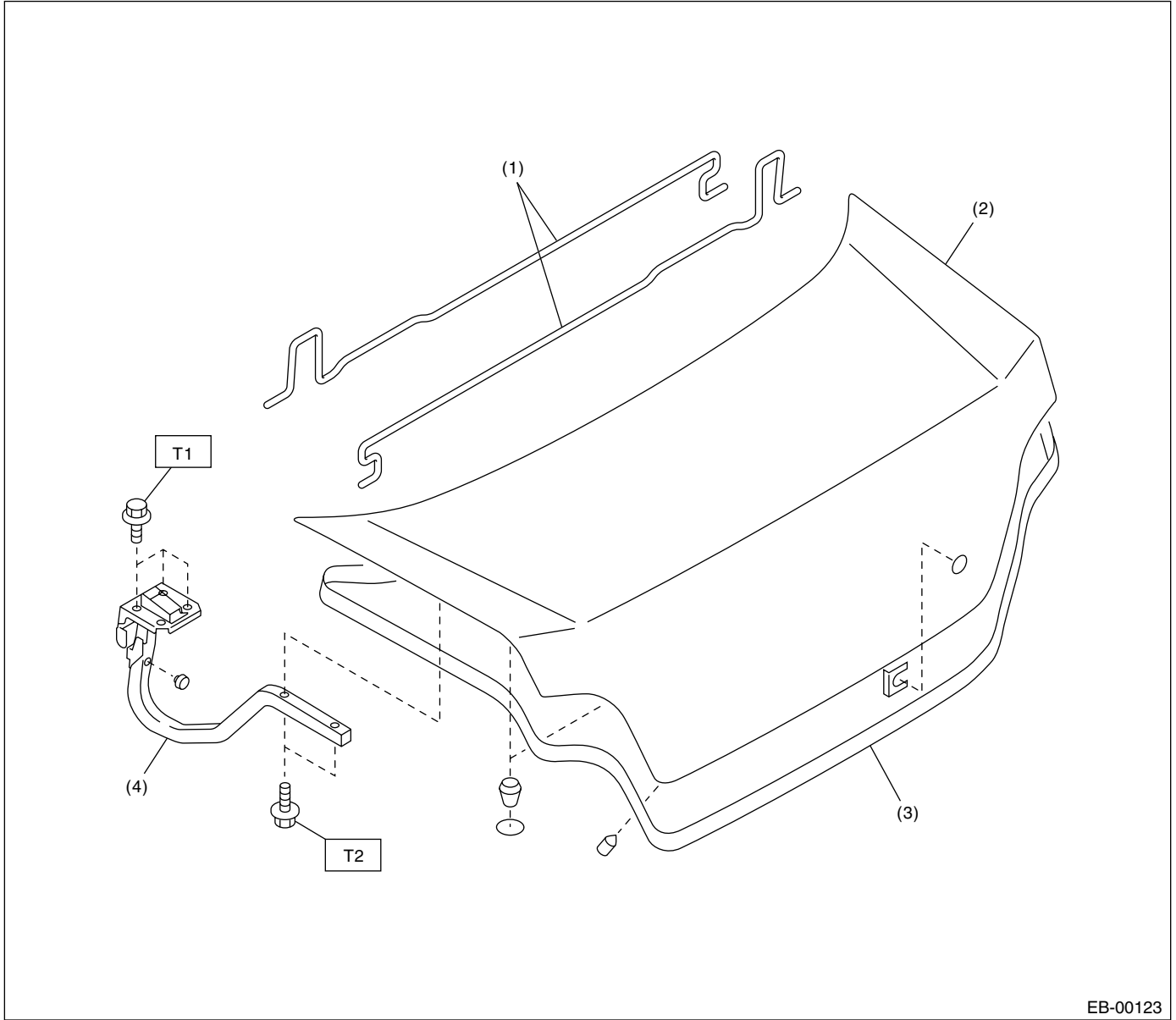
**T4: 32.3 (3.3, 23.8)**



# GENERAL DESCRIPTION

## EXTERIOR BODY PANELS

### 5. TRUNK LID PANEL



EB-00123

- (1) Torsion bar
- (2) Trunk lid panel
- (3) Weatherstrip

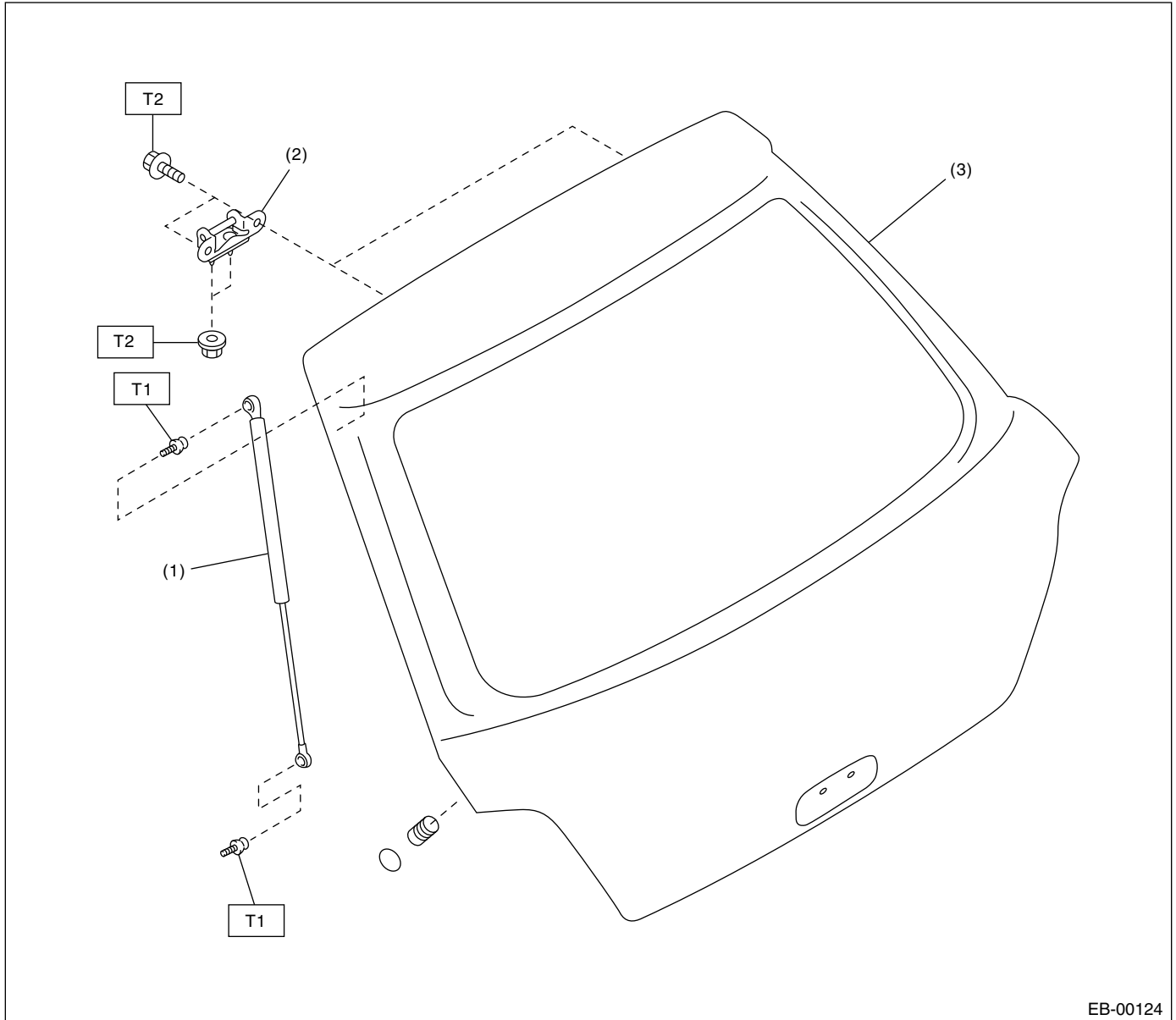
- (4) Hinge ASSY

**Tightening torque: N-m (kgf-m, ft-lb)**

**T1: 7.5 (0.76, 5.5)**

**T2: 14 (1.43, 10.3)**

## 6. REAR GATE PANEL



EB-00124

- (1) Rear gate damper stay
- (2) Hinge

- (3) Rear gate panel

**Tightening torque: N-m (kgf-m, ft-lb)**

**T1: 19.6 (2.0, 14.5)**

**T2: 24.5 (2.5, 18.1)**

# GENERAL DESCRIPTION

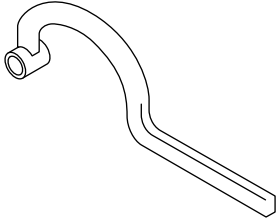
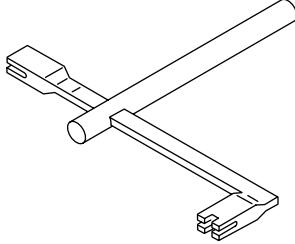
## EXTERIOR BODY PANELS

### C: CAUTION

- Exterior body panels are heavy. Do not drop and damage the panels. During removal and installation, do not damage the panel painting surface.
- While removing the mounting bolts, using assistance devices such as a support jack will help support the panel.
- Be careful not to lose small parts.

### D: PREPARATION TOOL

#### 1. SPECIAL TOOLS

ILLUSTRATION	TOOL NUMBER	DESCRIPTION	REMARKS
 ST-925610000	925610000	WRENCH	Used for removing and installing door hinge.
 ST-927780000	927780000	REMOVER	Used for removing and installing trunk torsion bar.

#### 2. GENERAL TOOL

TOOL NAME	REMARKS
Support Jack	Used for supporting door panel.