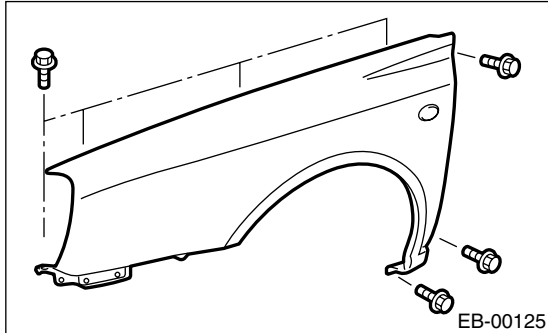


### 3. Front Fender Panel

#### A: REMOVAL

- 1) Disconnect the ground cable from battery.
- 2) Remove the side sill spoilers. <Ref. to EI-35, Side Sill Spoiler.> (Model with side sill spoiler)
- 3) Remove the front bumper face. <Ref. to EI-23, REMOVAL, Front Bumper.>
- 4) Remove the mud guard. <Ref. to EI-31, REMOVAL, Mud Guard.>
- 5) Loosen the bolts to remove front fender panel.



#### B: INSTALLATION

- 1) Install in the reverse order of removal.
- 2) When the front fender panel is installed, clearance between front fender panel and front hood panel must be equal.

#### ***Tightening torque:***

***7.4 N-m (0.75 kgf-m, 5.5 ft-lb)***