

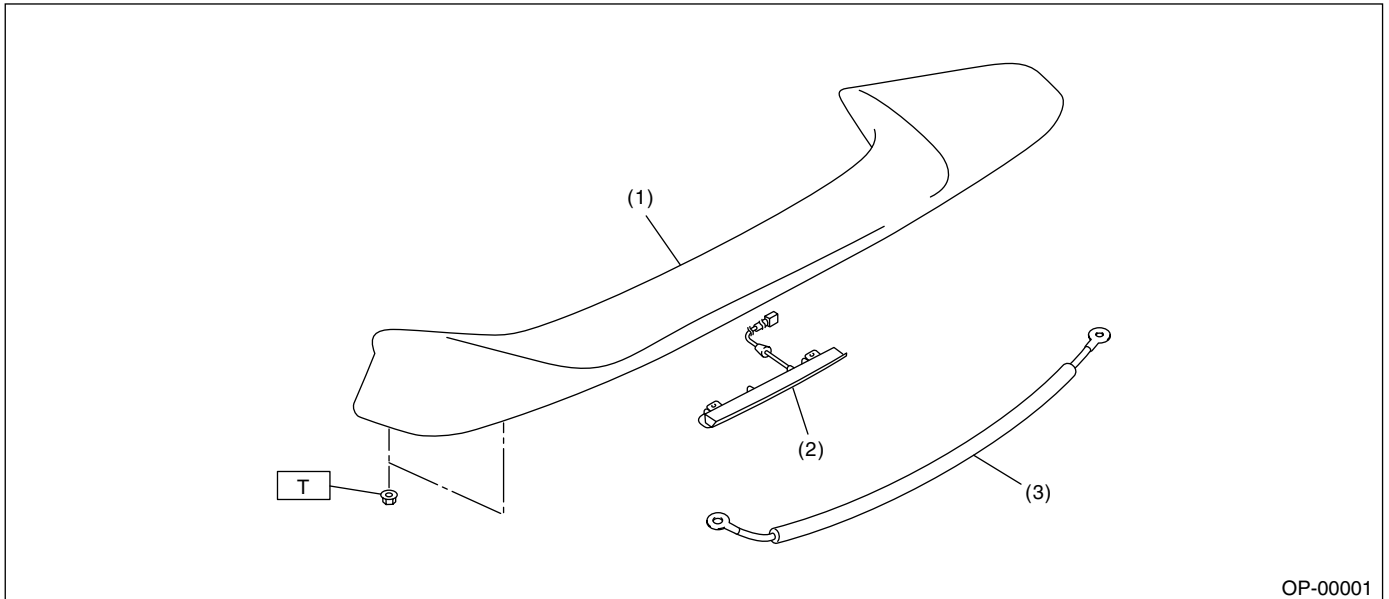
GENERAL DESCRIPTION

OPTION PARTS

1. General Description

A: COMPONENT

1. REAR SPOILER



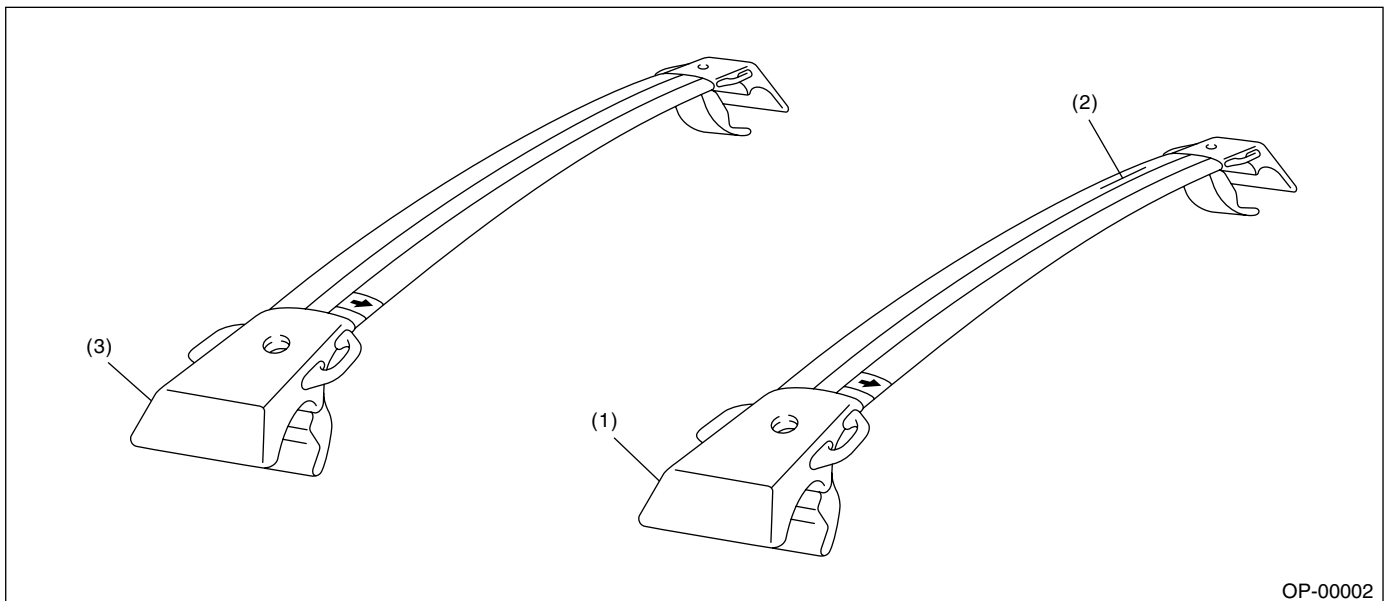
OP-00001

- (1) Rear spoiler
- (2) High mounted stop light

- (3) Retention cable

Tightening torque: N·m (kgf·m, ft·lb)
T: 7.4 (0.75, 5.46)

2. CROSSBAR



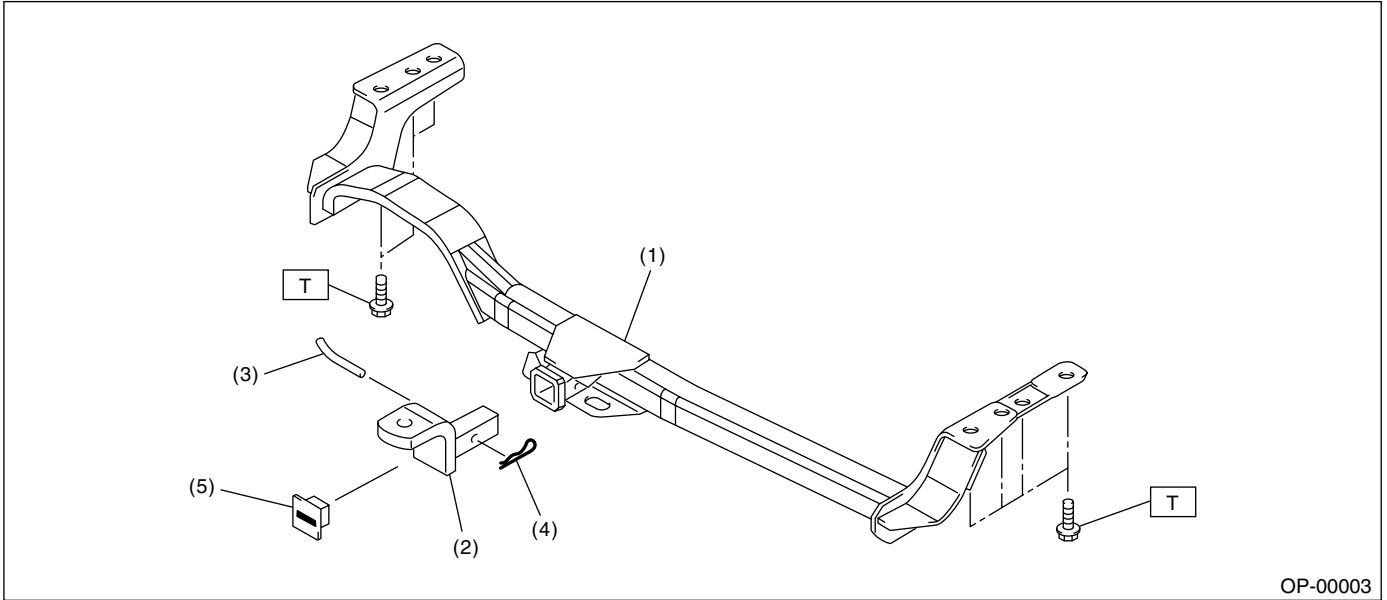
OP-00002

- (1) Front crossbar

- (2) Caution label (Front crossbar)

- (3) Rear crossbar

3. TRAILER HITCH



OP-00003

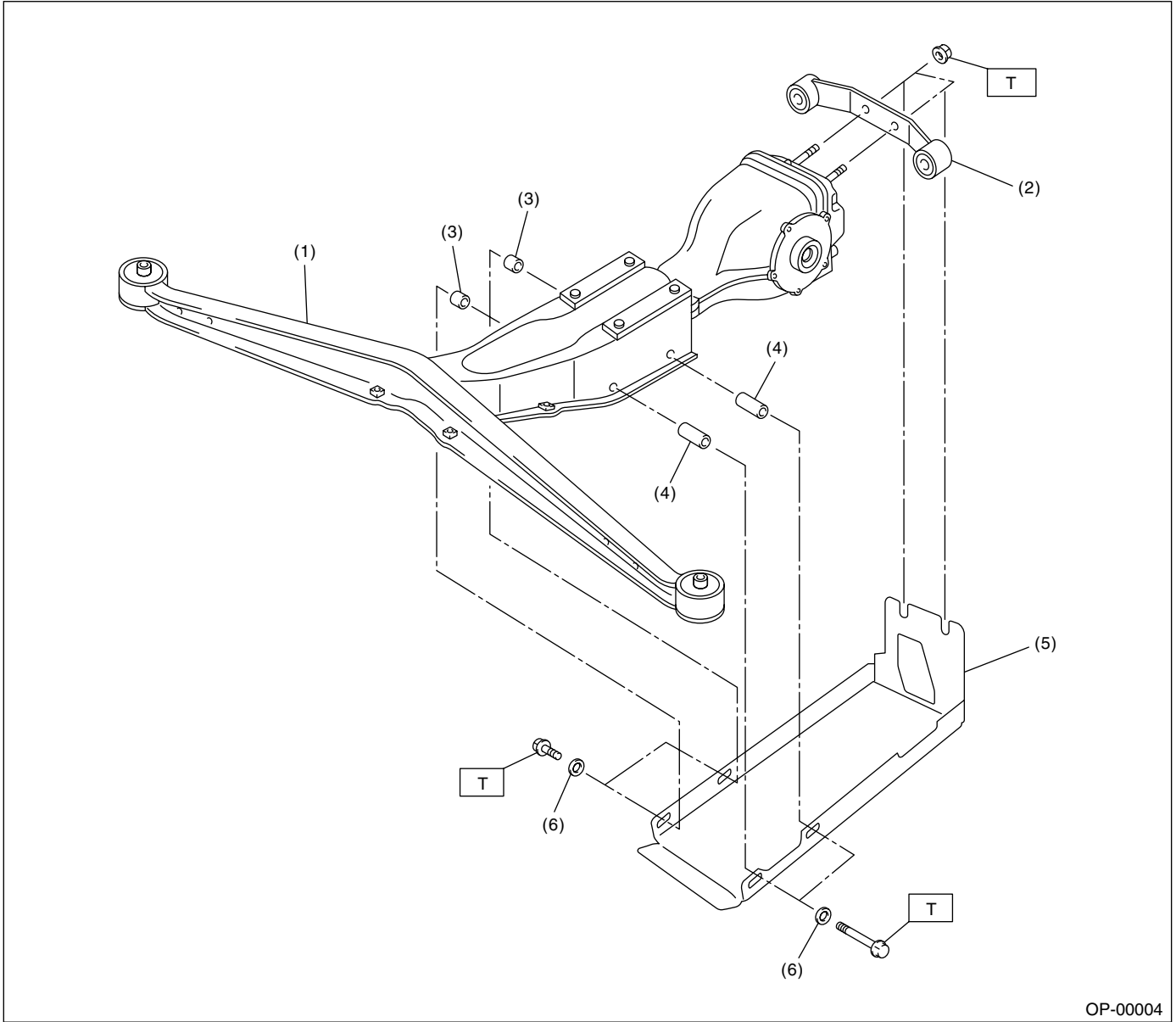
- | | |
|--------------------|---------------------|
| (1) Receiver hitch | (4) Ball mount clip |
| (2) Ball mount | (5) Receiver cover |
| (3) Ball mount pin | |

Tightening torque: N·m (kgf·m, ft·lb)
T: 95 (9.7, 70)

GENERAL DESCRIPTION

OPTION PARTS

4. REAR DIFFERENTIAL PROTECTOR



- | | |
|-------------------------------|---------------------------------|
| (1) Differential front member | (4) Spacer (Long) |
| (2) Differential rear member | (5) Rear differential protector |
| (3) Spacer (Short) | (6) Washer |

Tightening torque: N·m (kgf·m, ft·lb)
T: 70 (7.1, 51.6)