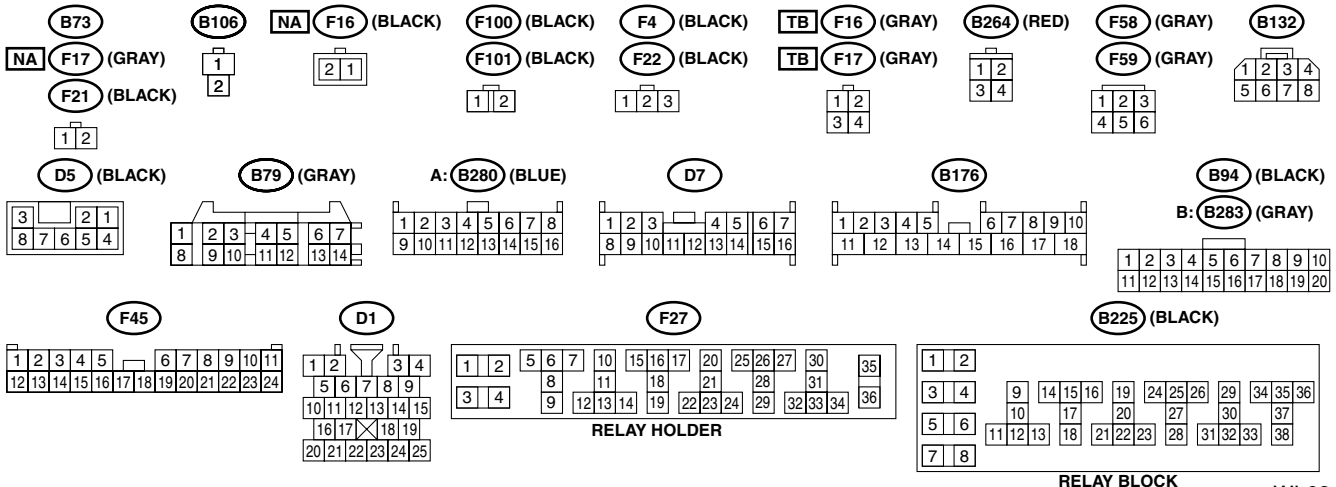
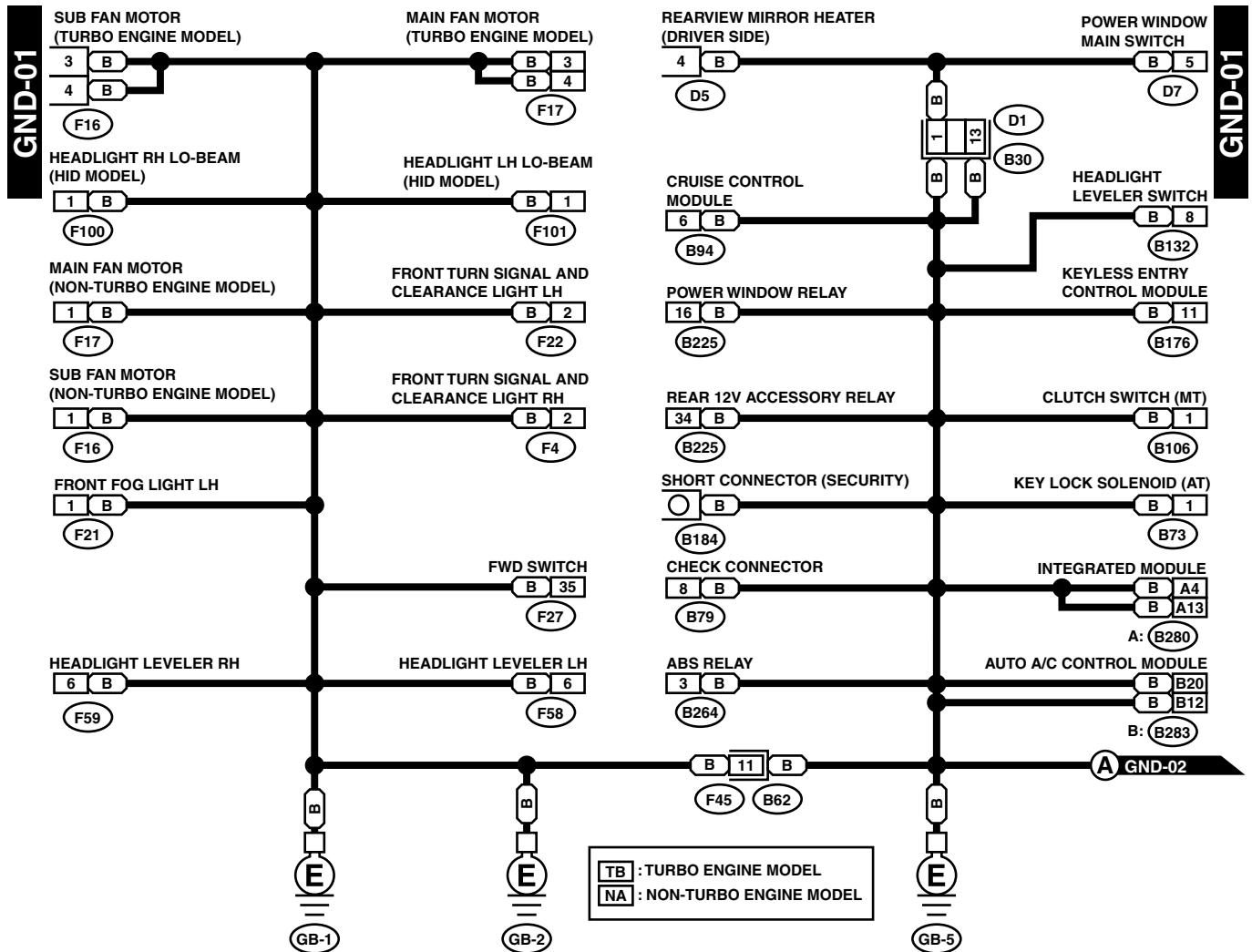


4. Ground Distribution

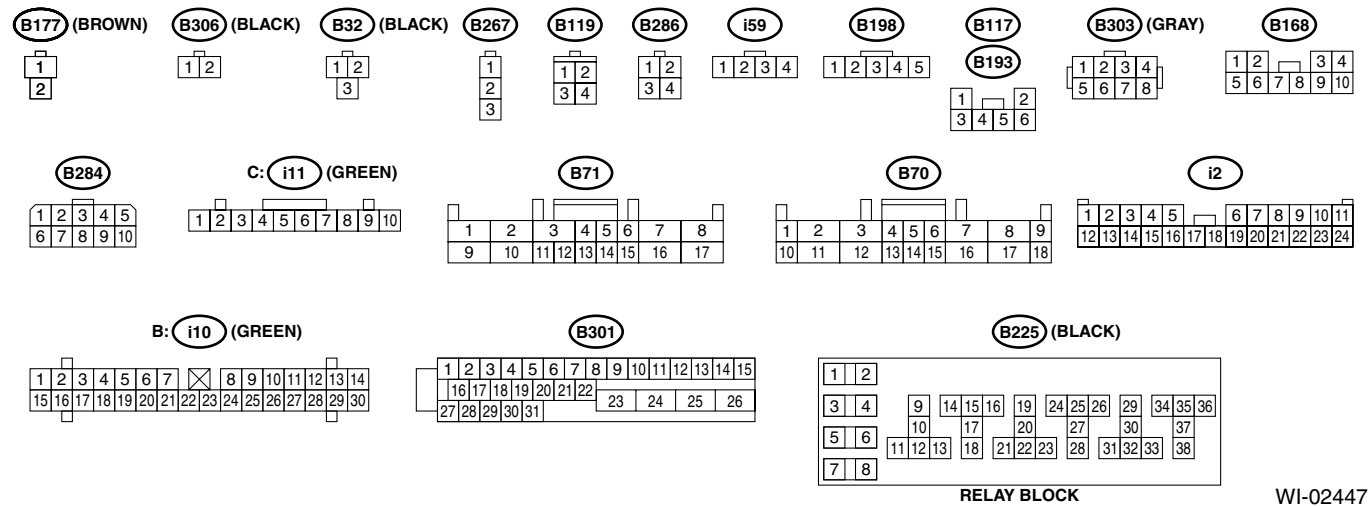
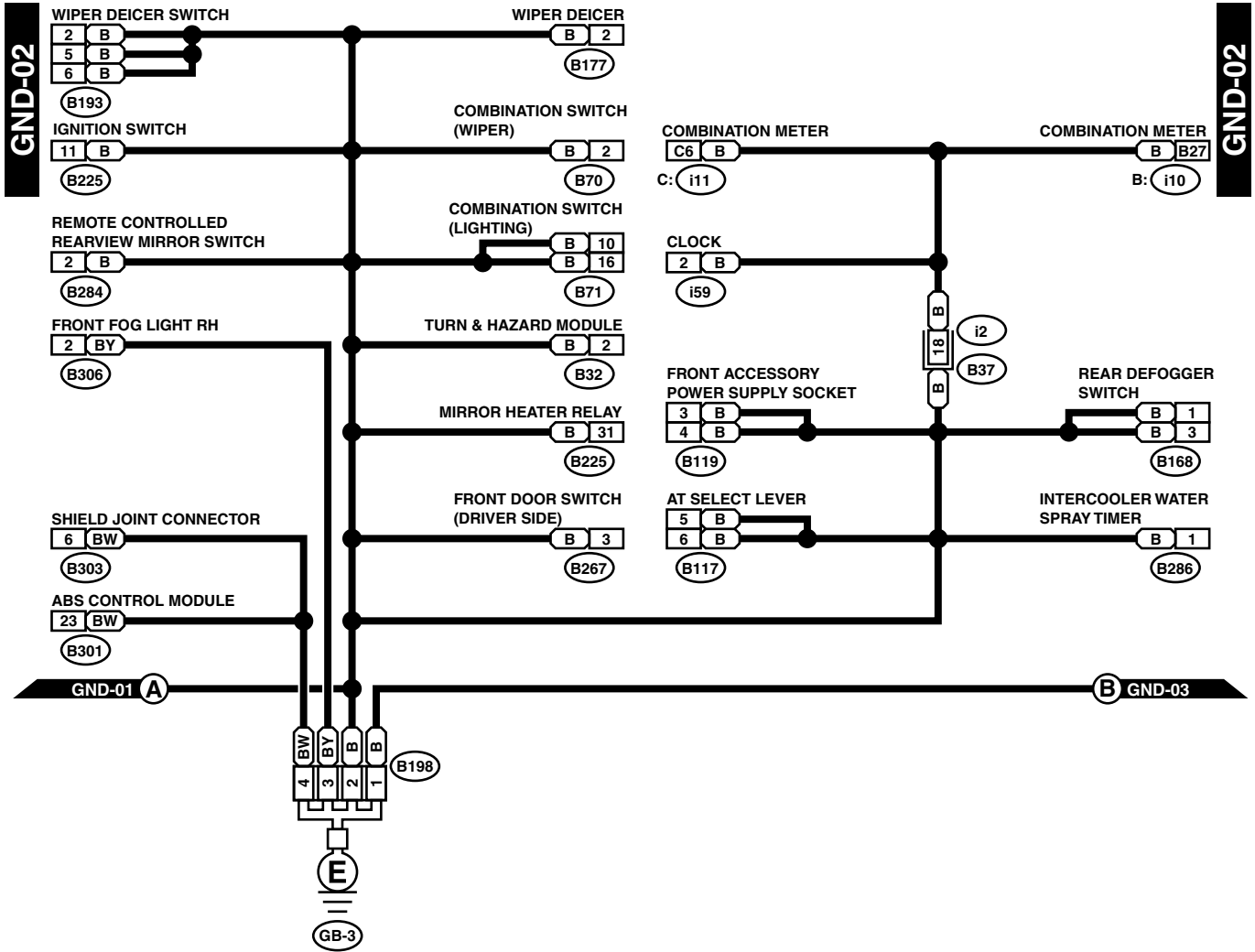
A: SCHEMATIC



WI-02446

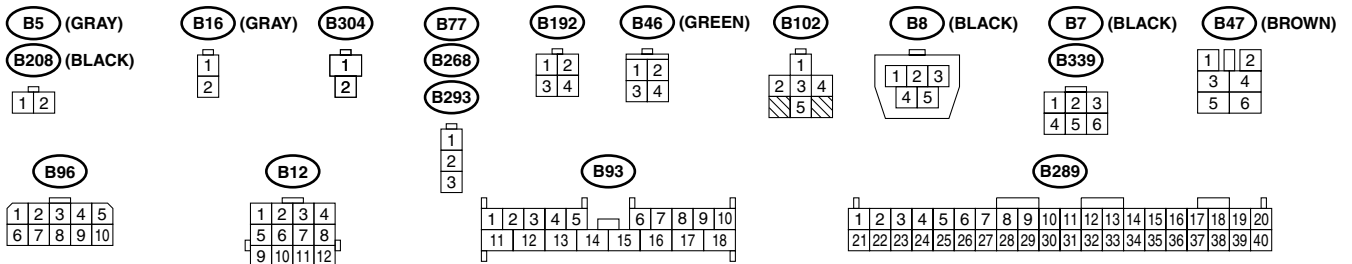
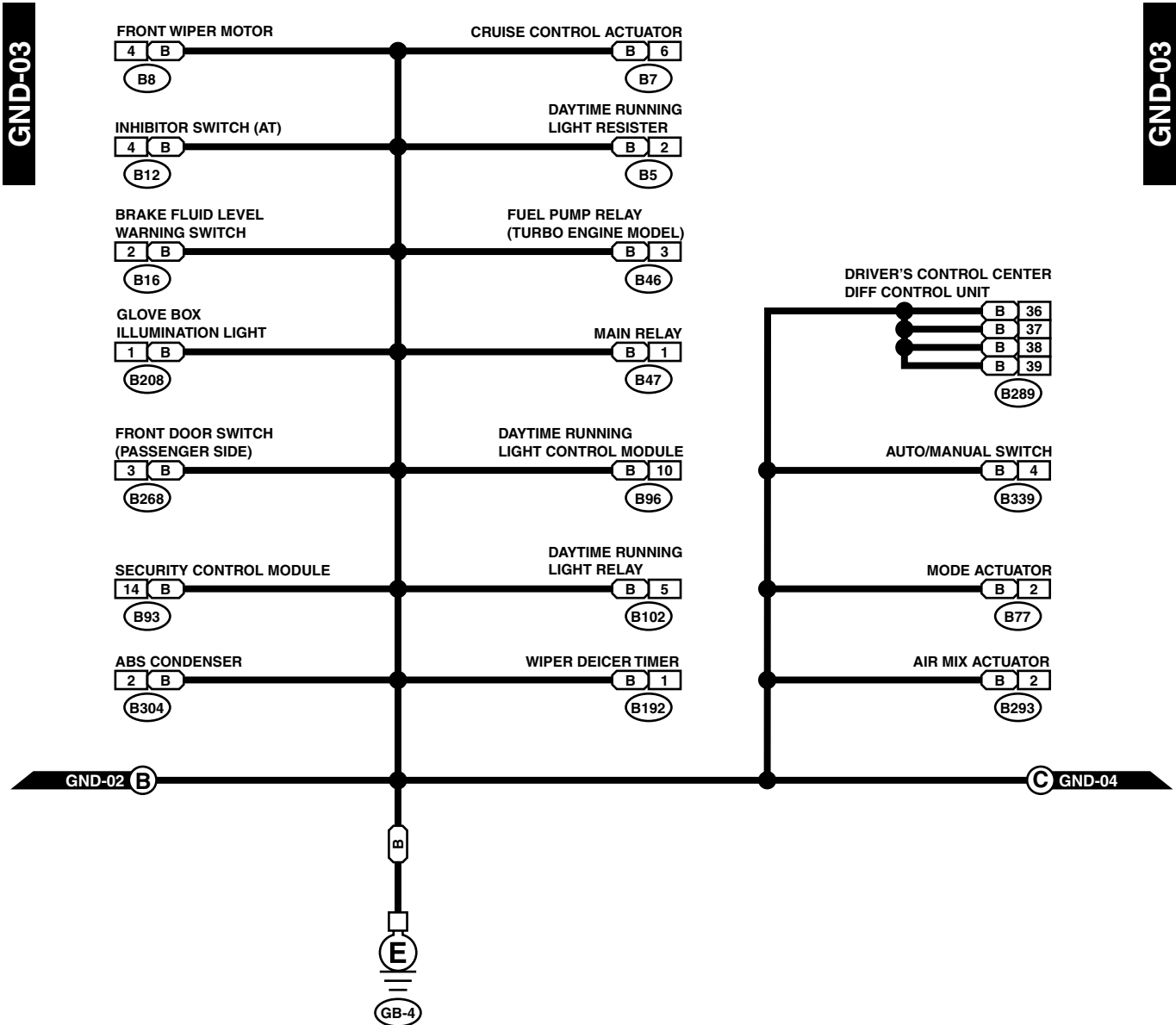
GROUND DISTRIBUTION

WIRING SYSTEM



GROUND DISTRIBUTION

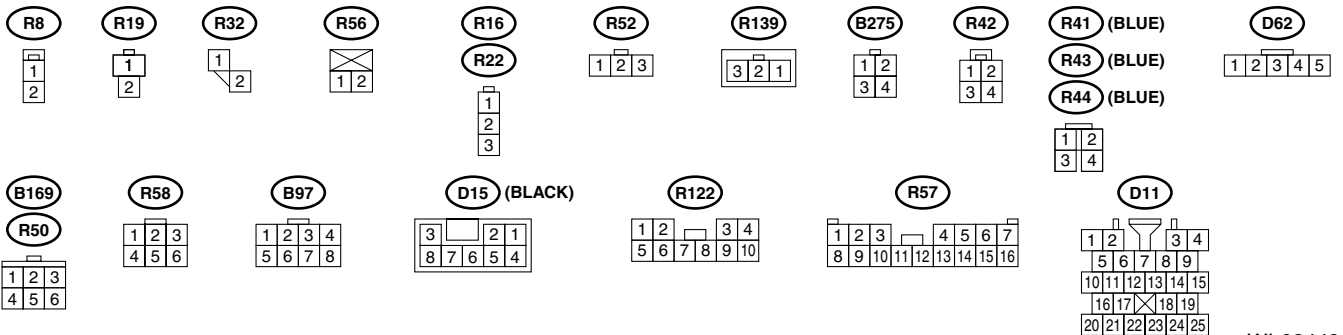
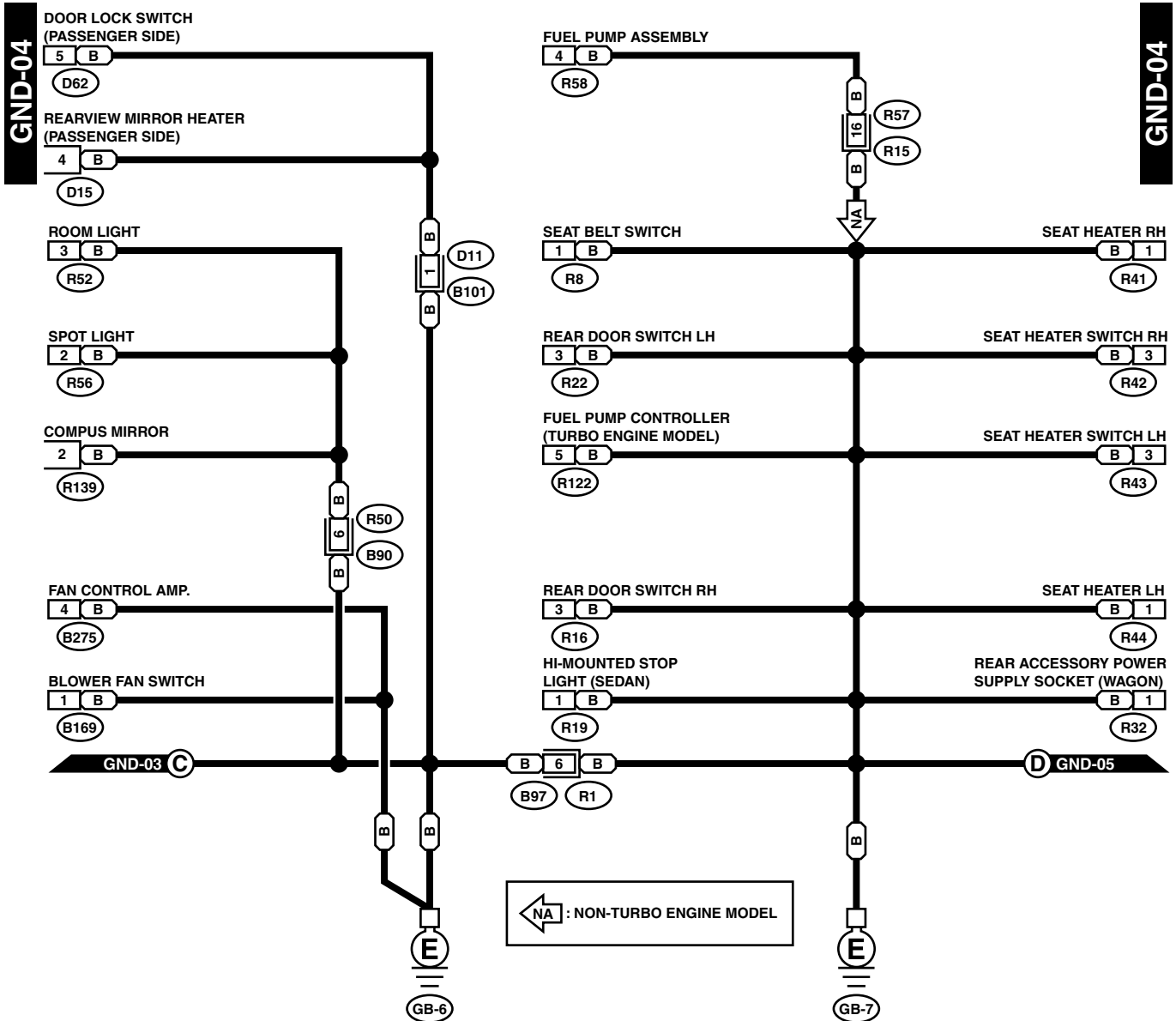
WIRING SYSTEM



WI-02448

GROUND DISTRIBUTION

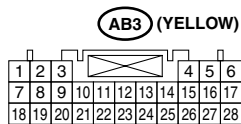
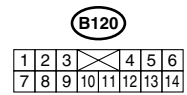
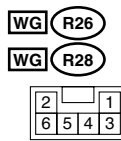
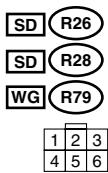
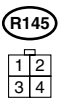
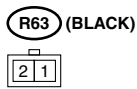
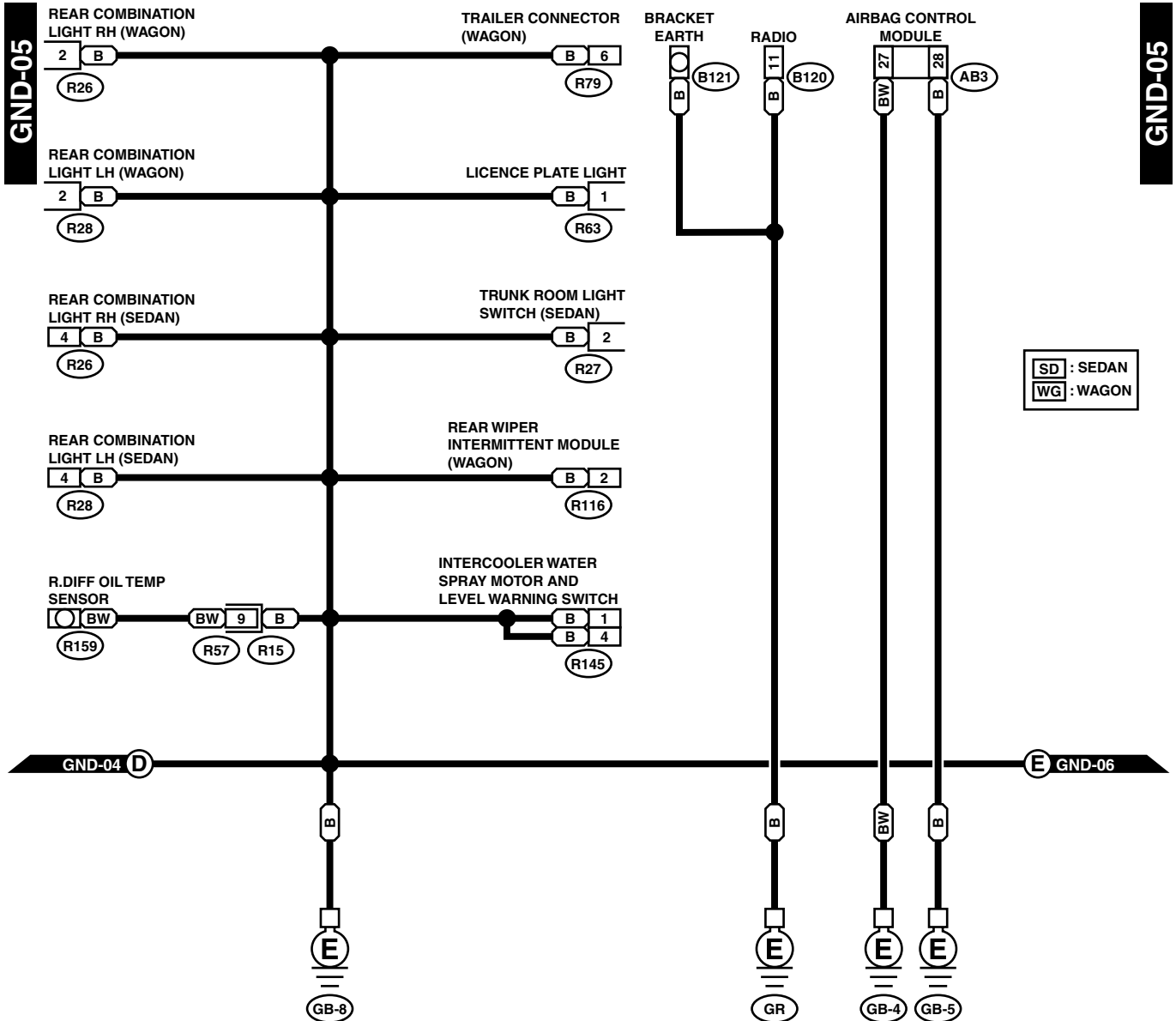
WIRING SYSTEM



WI-02449

GROUND DISTRIBUTION

WIRING SYSTEM



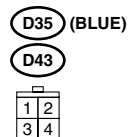
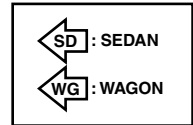
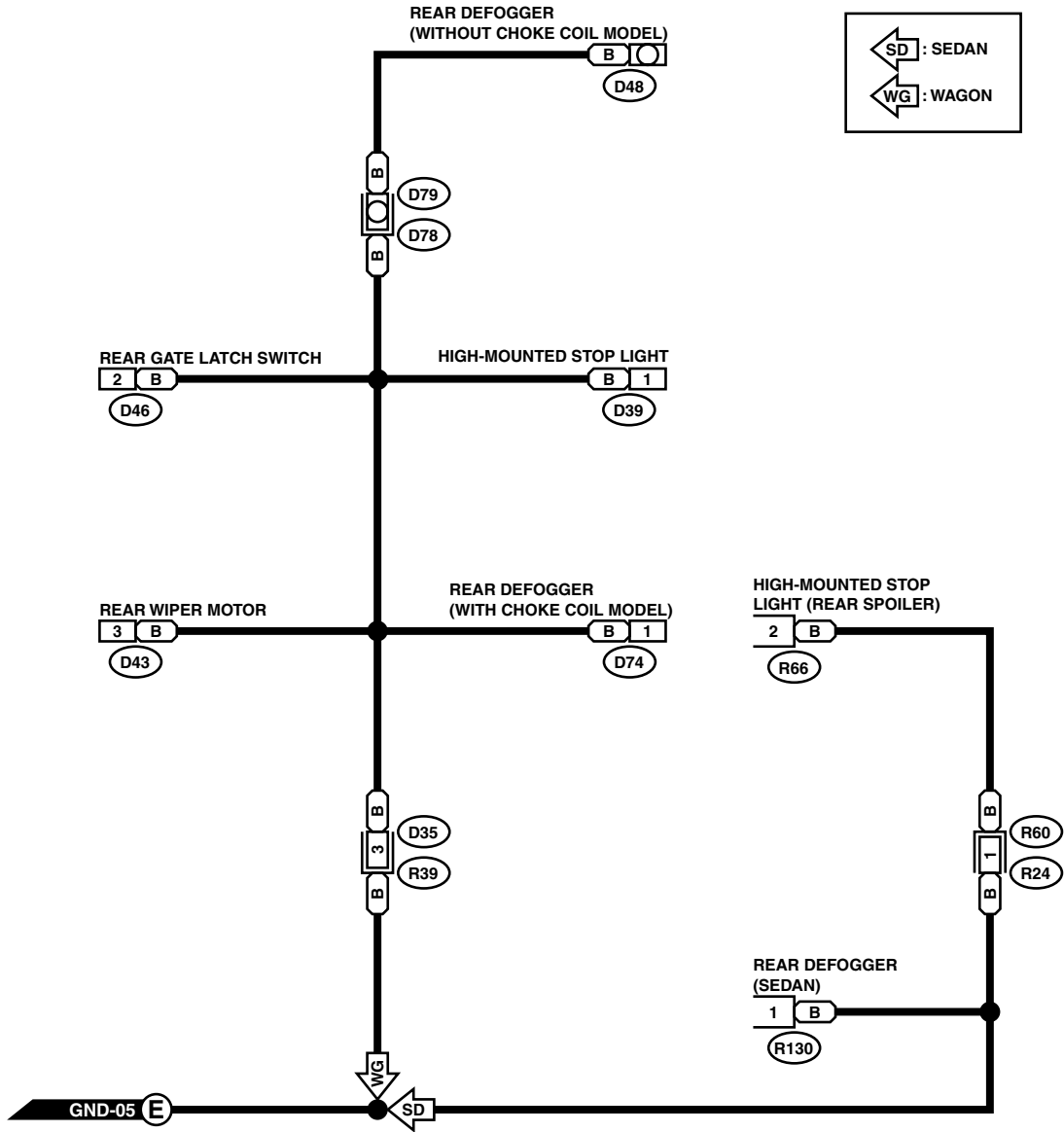
WI-02535

GROUND DISTRIBUTION

WIRING SYSTEM

GND-06

GND-06



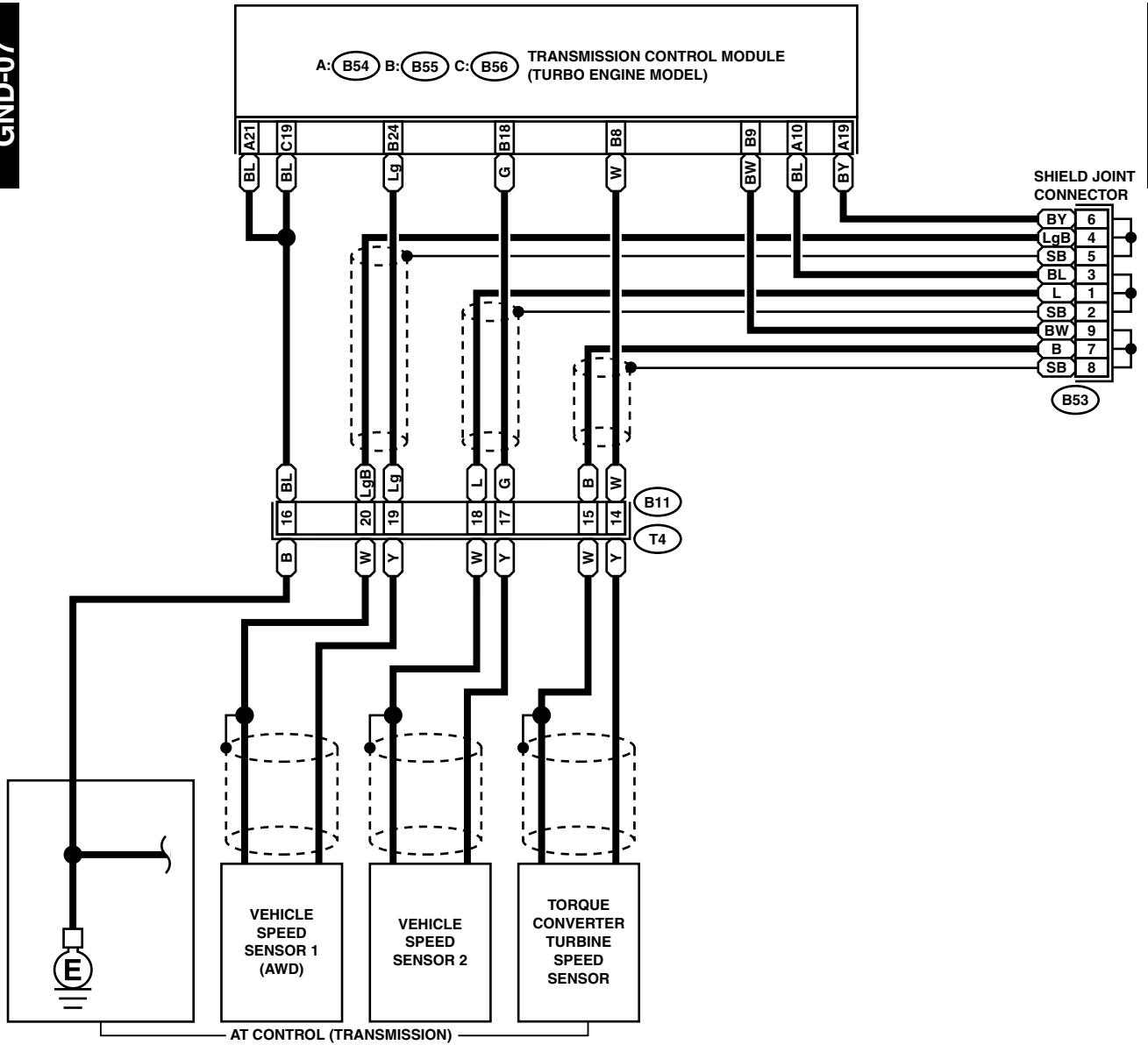
WI-02450

GROUND DISTRIBUTION

WIRING SYSTEM

GND-07

GND-07



B53 (BLACK)

1	2	3	4	5	6	7	8	9	10	11	12
---	---	---	---	---	---	---	---	---	----	----	----

B11 (BLACK)

1	2	3	4
5	6	7	8
9	10	11	12
13	14	15	16
17	18	19	20

A: B54

1	2	3	4	5	6	7	8	9
10	11	12	13	14	15	16	17	18
19	20	21	22	23	24			

B: B55 (GRAY)

1	2	3	4	5	6	7	8	9
10	11	12	13	14	15	16	17	18
19	20	21	22	23	24			

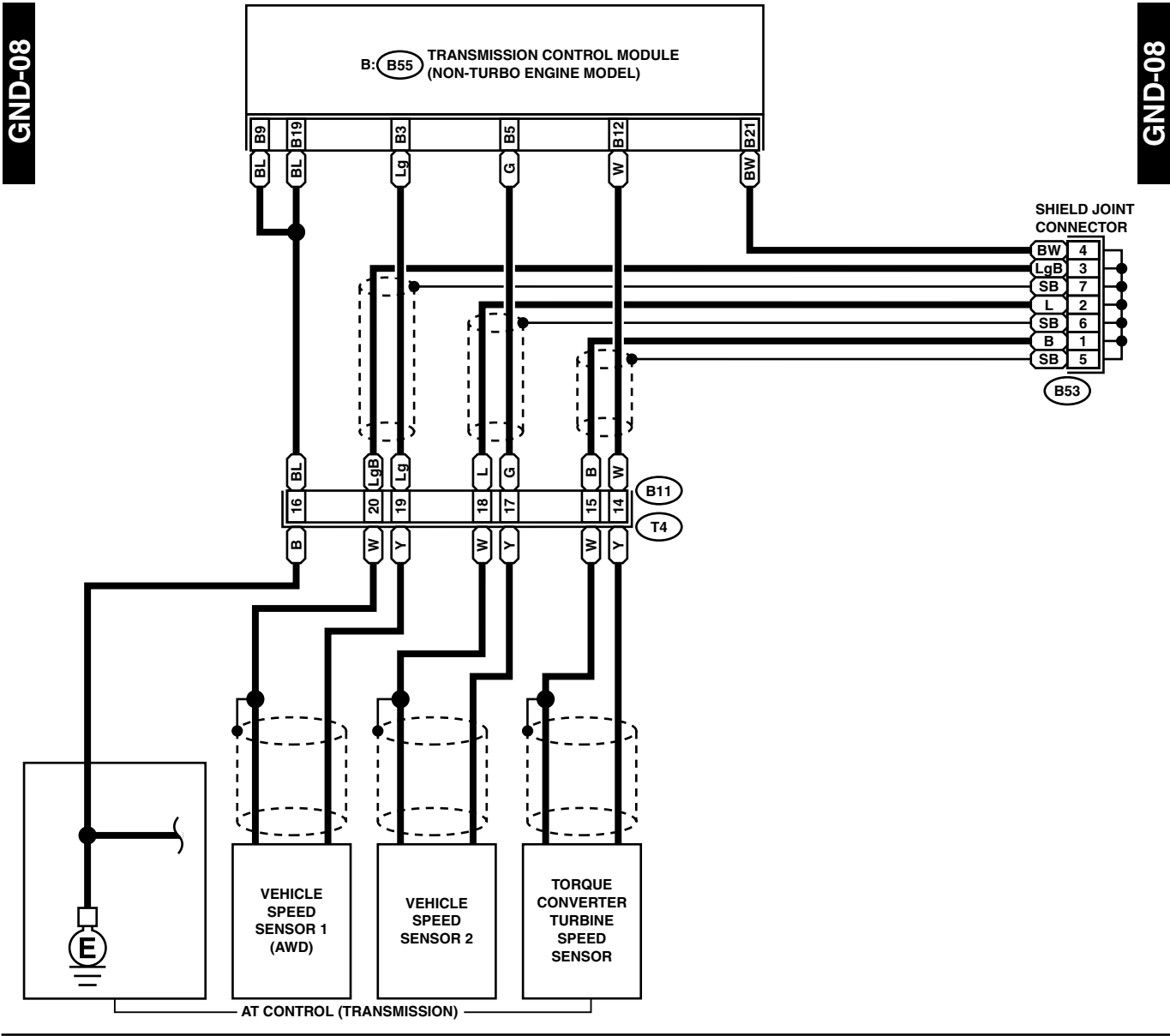
C: B56 (GREEN)

1	2	3	4	5	6	7	8	9
10	11	12	13	14	15	16	17	18
19	20	21	22	23	24			

WI-01099

GROUND DISTRIBUTION

WIRING SYSTEM



B53

1	2	3	4
5	6	7	8

B11 (BLACK)

1	2	3	4
5	6	7	8
9	10	11	12
13	14	15	16
17	18	19	20

B: B55 (GRAY)

1	2	3	4	5	6	7	8	9
10	11	12	13	14	15	16	17	18
19	20	21				22	23	24

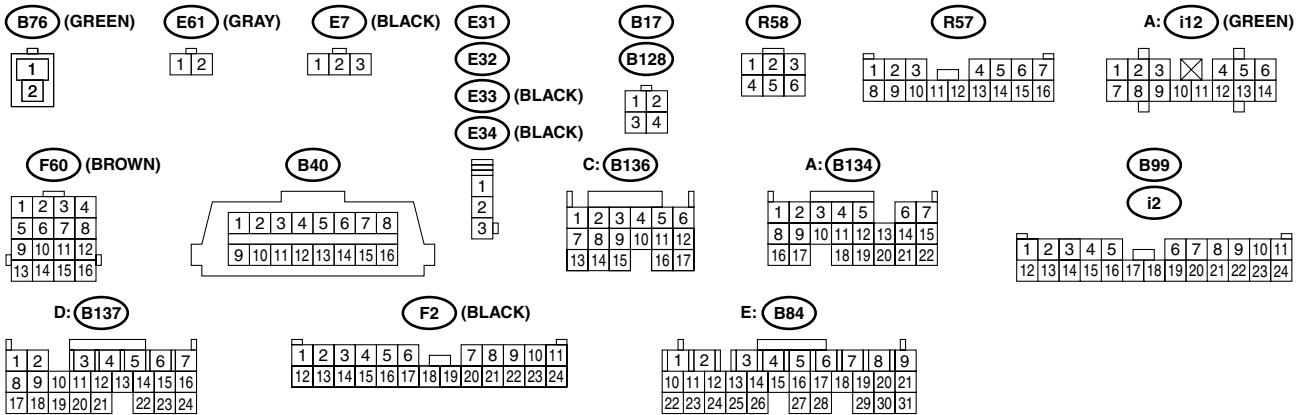
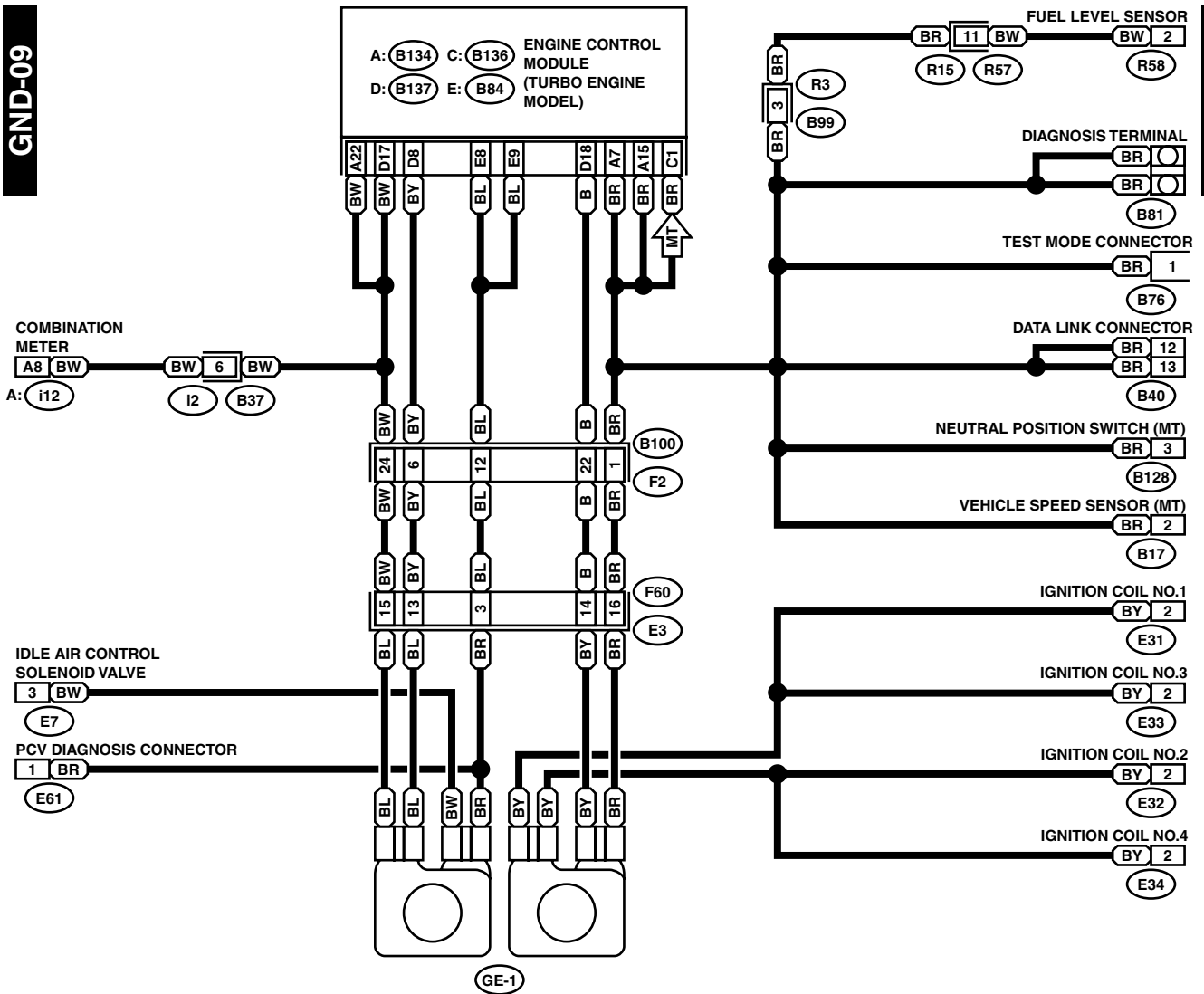
WI-01100

GROUND DISTRIBUTION

WIRING SYSTEM

GND-09

GND-09



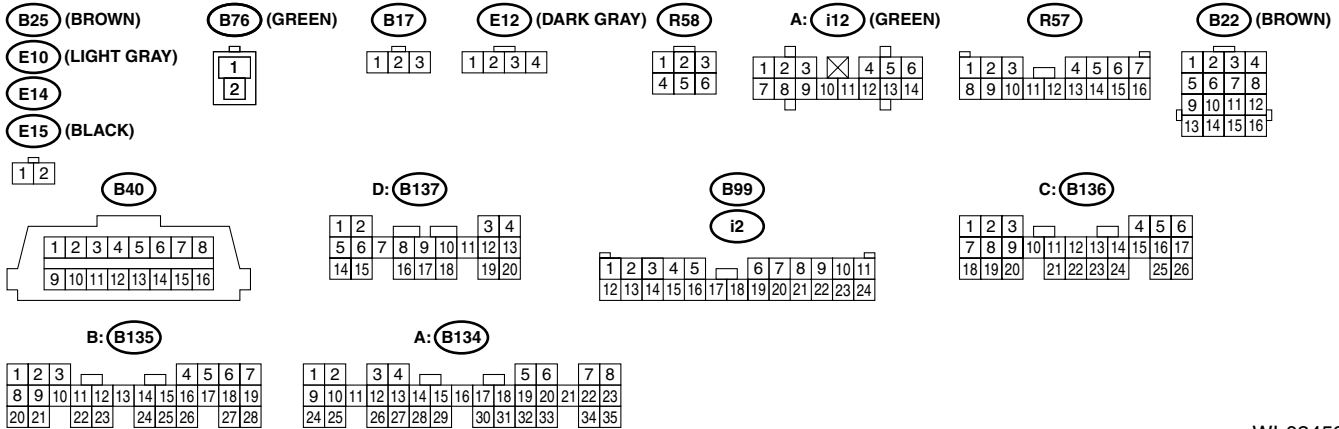
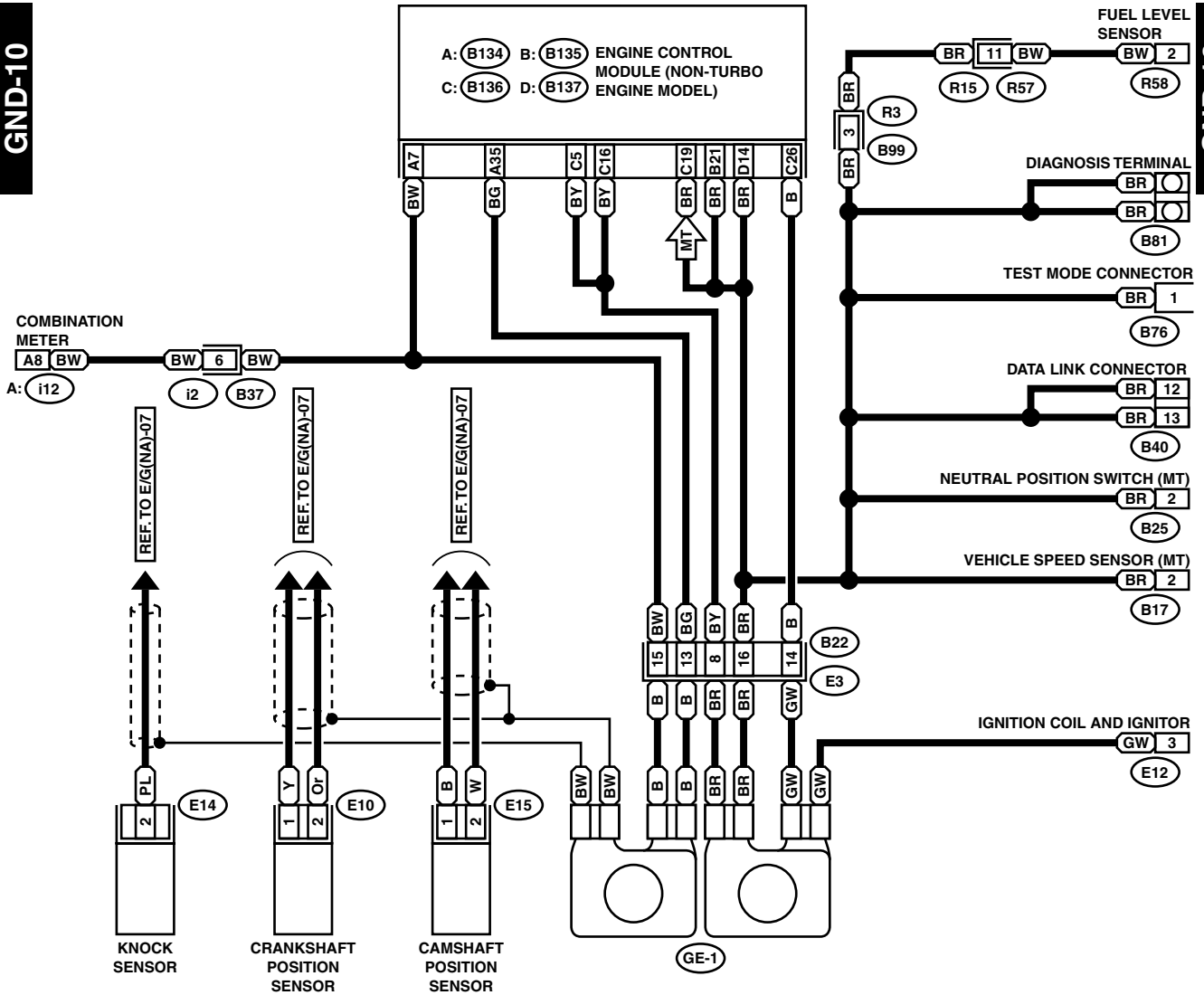
WI-02451

GROUND DISTRIBUTION

WIRING SYSTEM

GND-10

GND-10



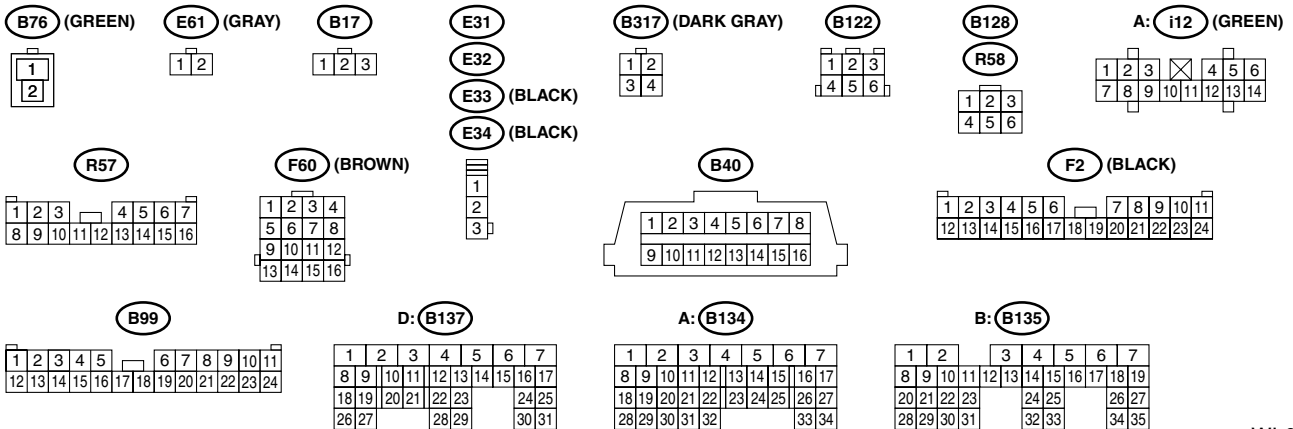
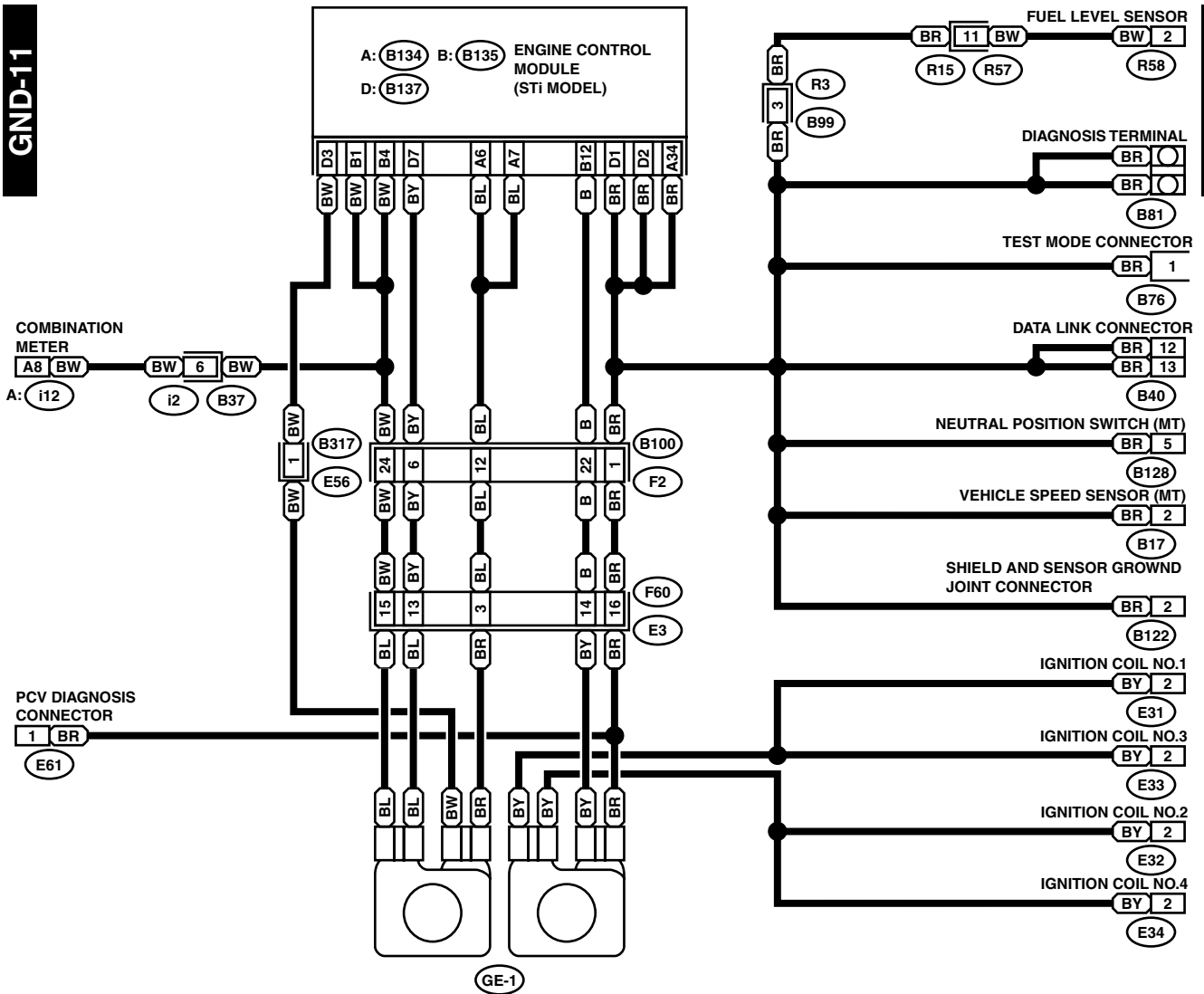
WI-02452

GROUND DISTRIBUTION

WIRING SYSTEM

GND-11

GND-11



WI-02798