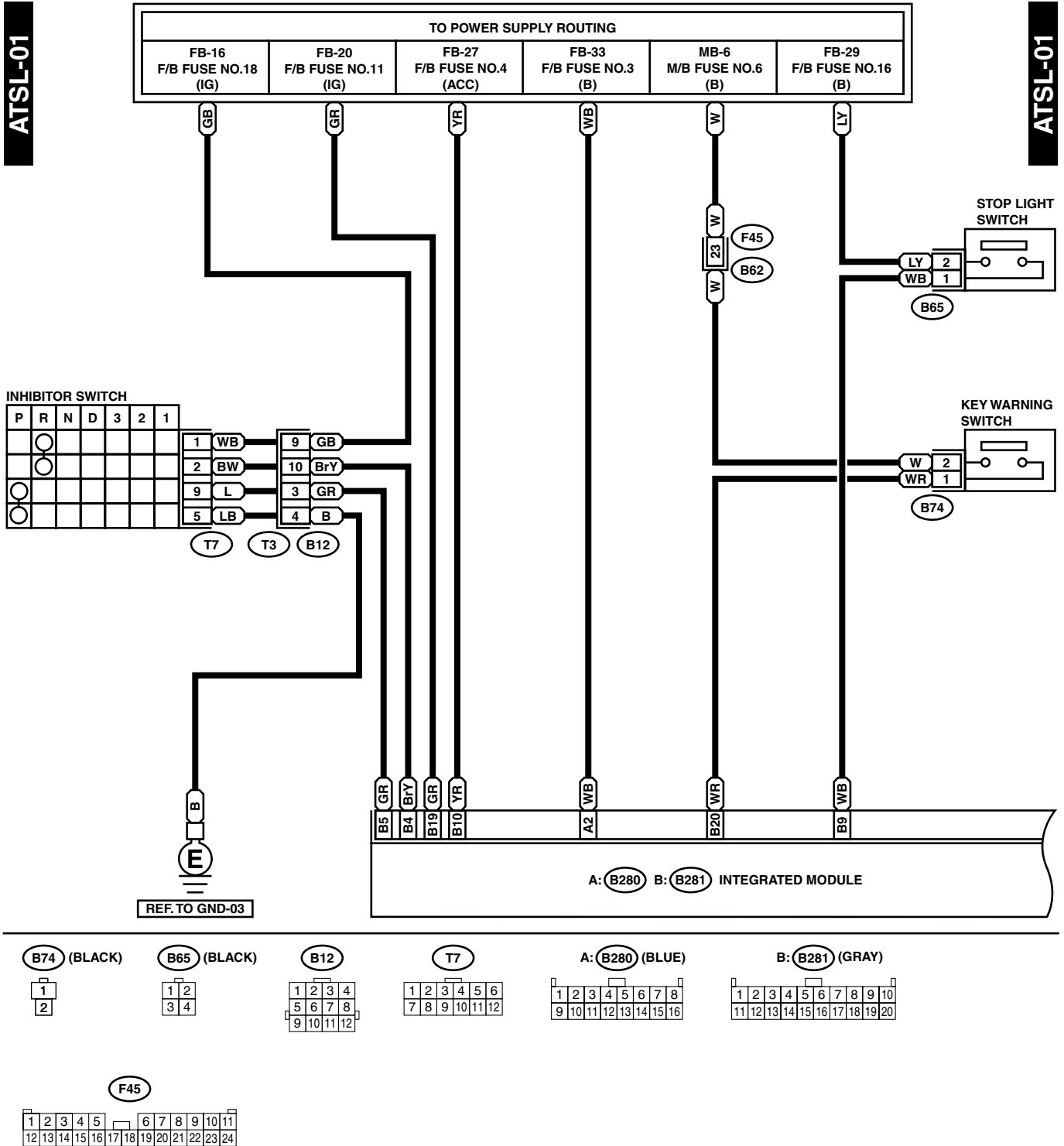


AT SHIFT LOCK CONTROL SYSTEM

WIRING SYSTEM

9. AT Shift Lock Control System

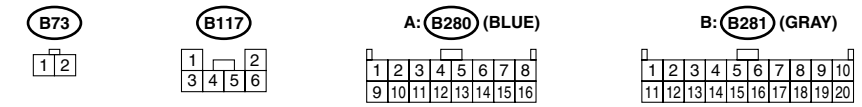
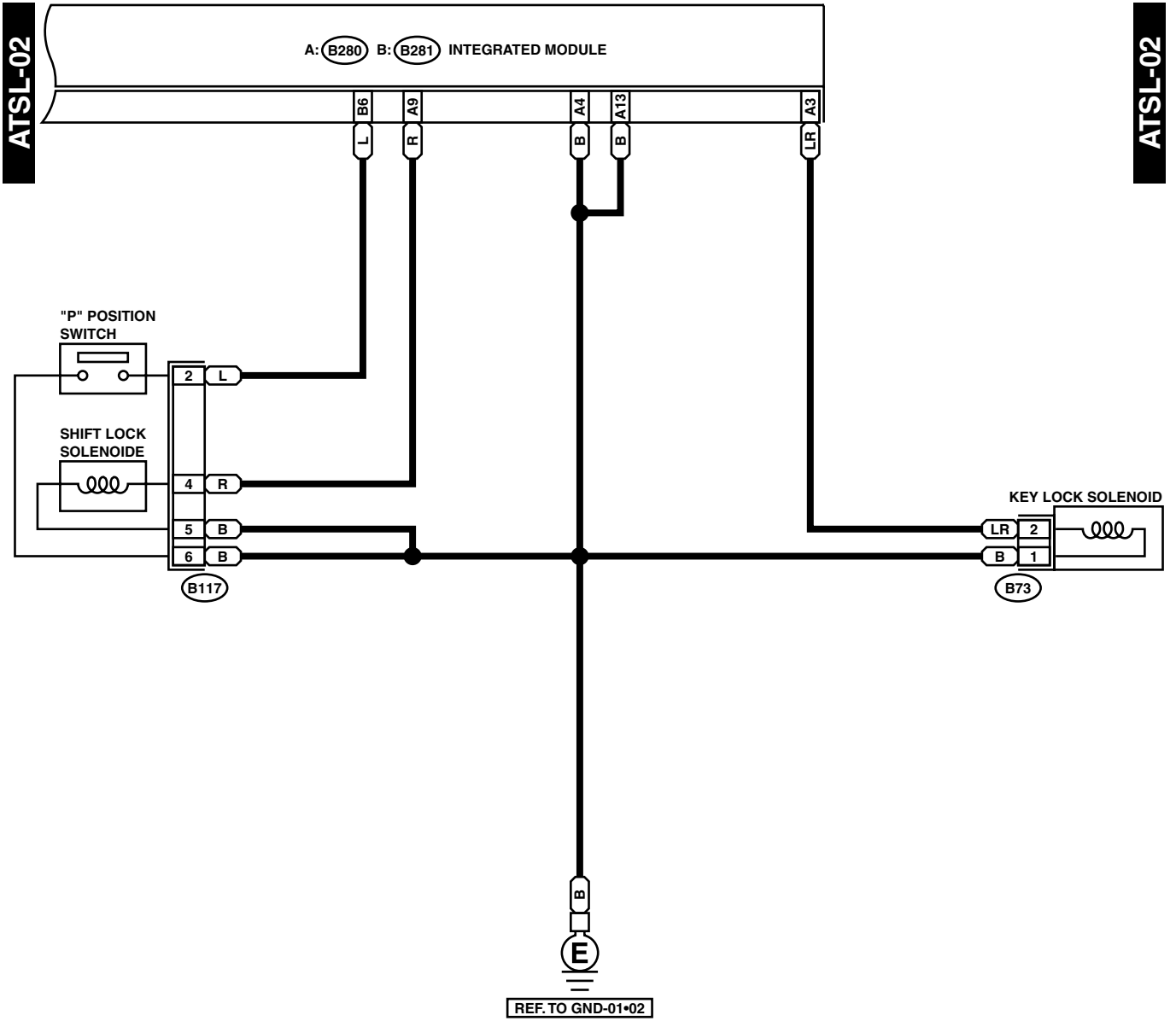
A: SCHEMATIC



WI-02826

AT SHIFT LOCK CONTROL SYSTEM

WIRING SYSTEM



WI-02787