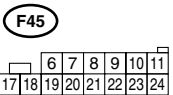
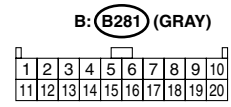
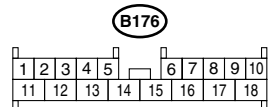
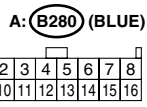
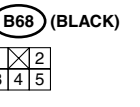
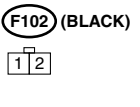
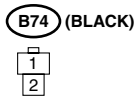
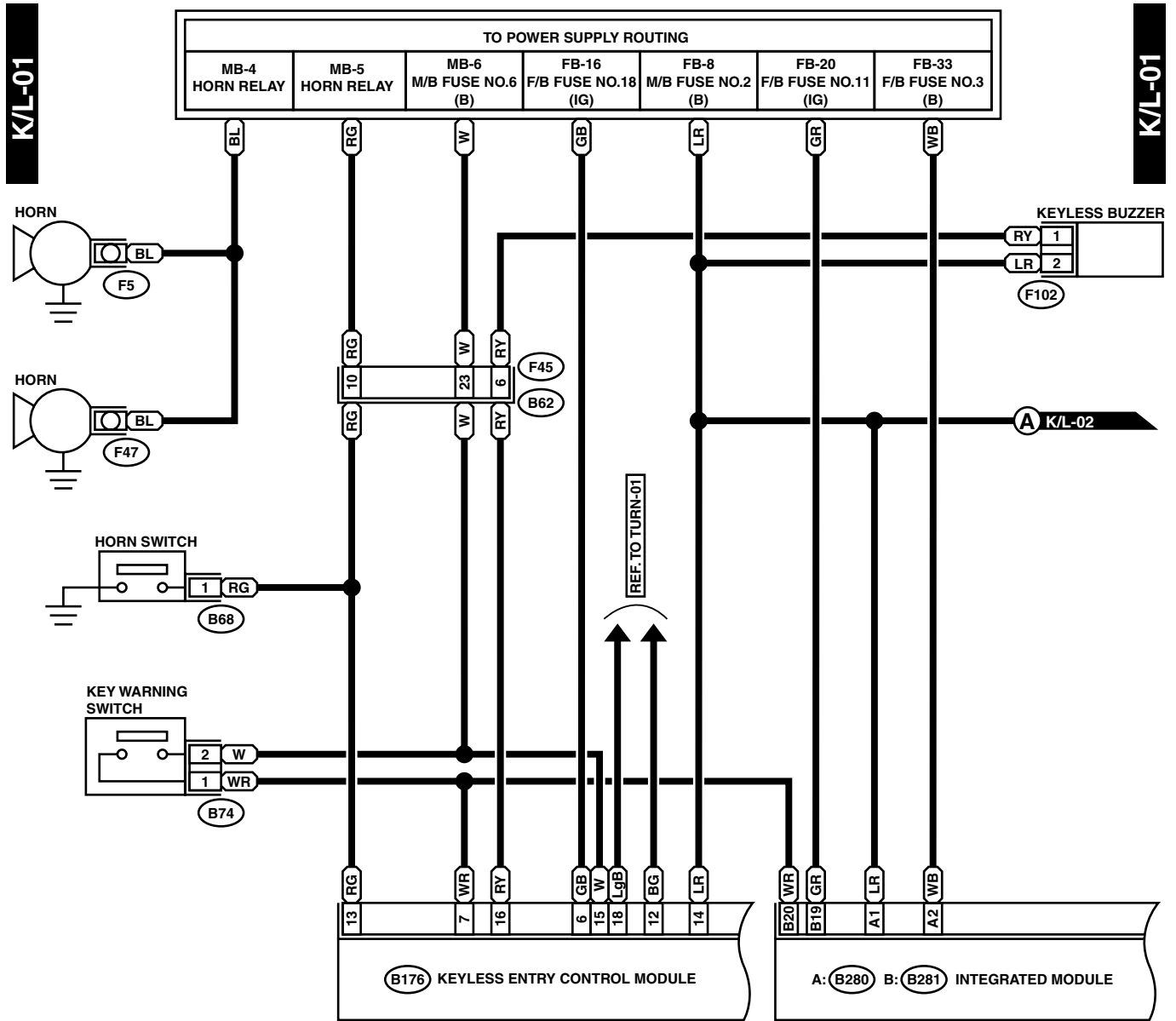


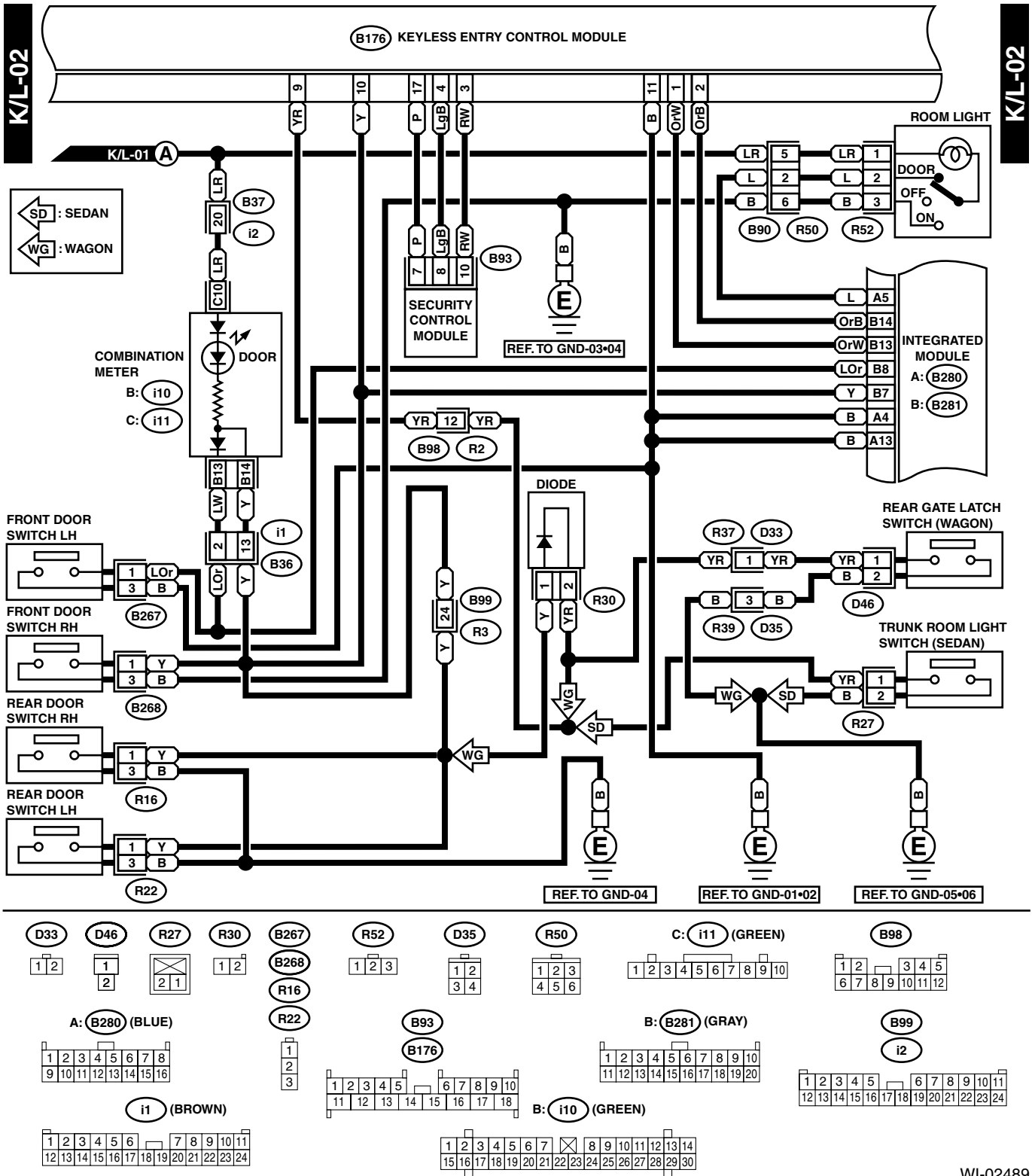
22.Keyless Entry System

A: SCHEMATIC



KEYLESS ENTRY SYSTEM

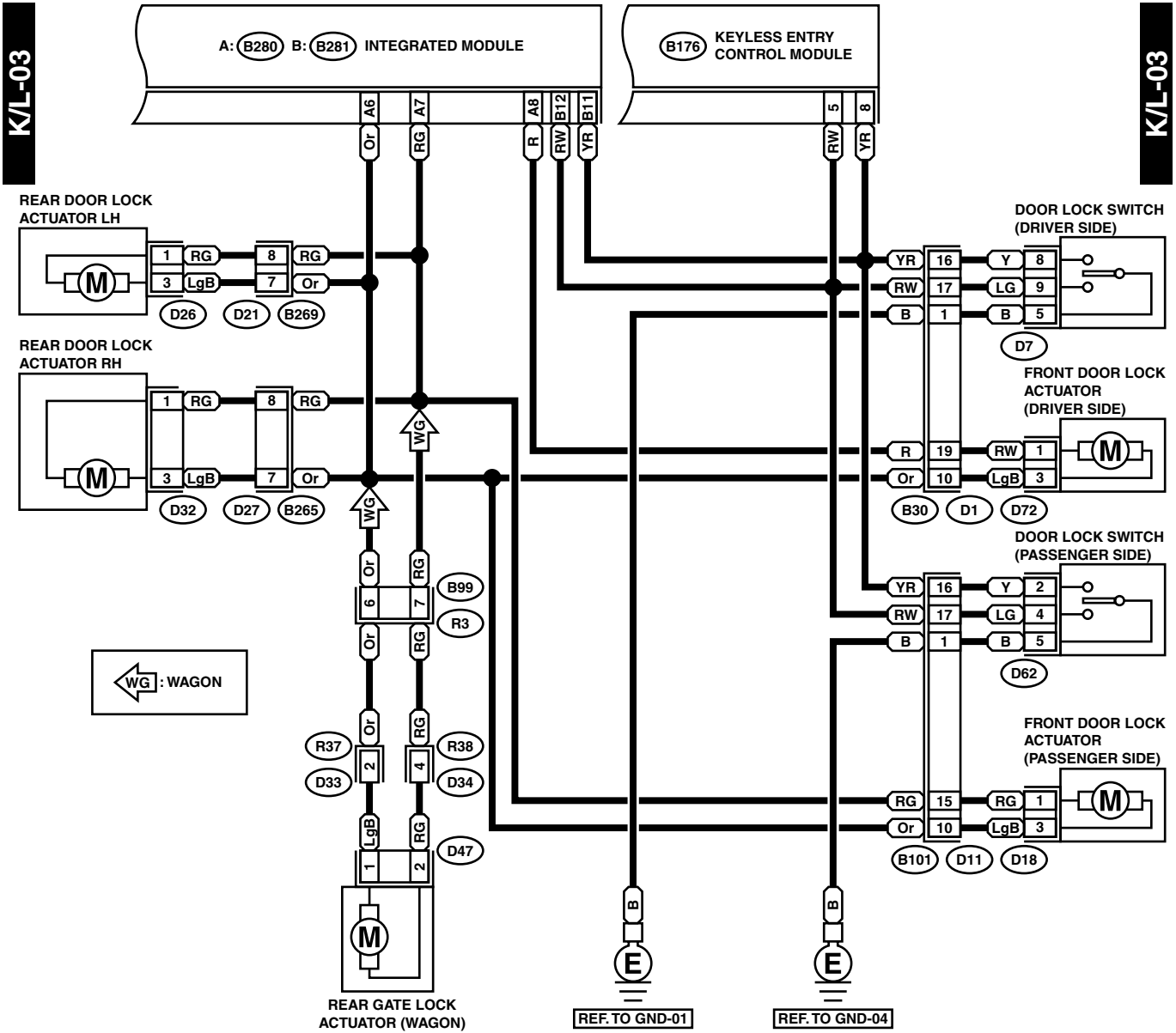
WIRING SYSTEM



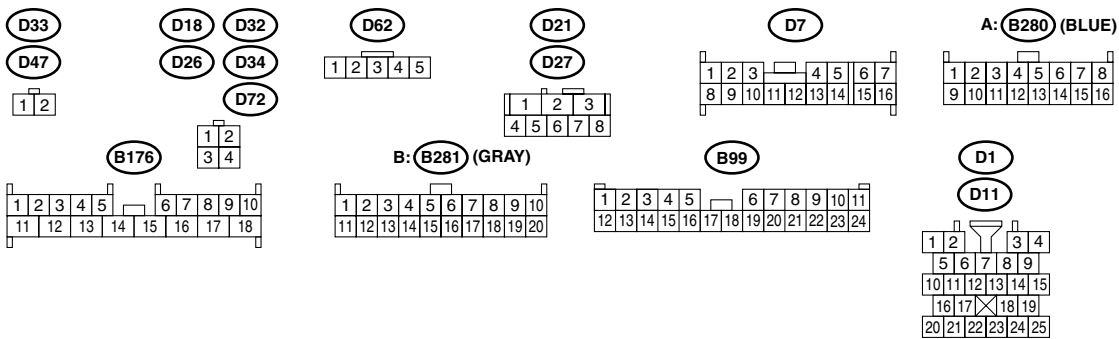
WI-02489

KEYLESS ENTRY SYSTEM

WIRING SYSTEM



K/L-03



WI-02490