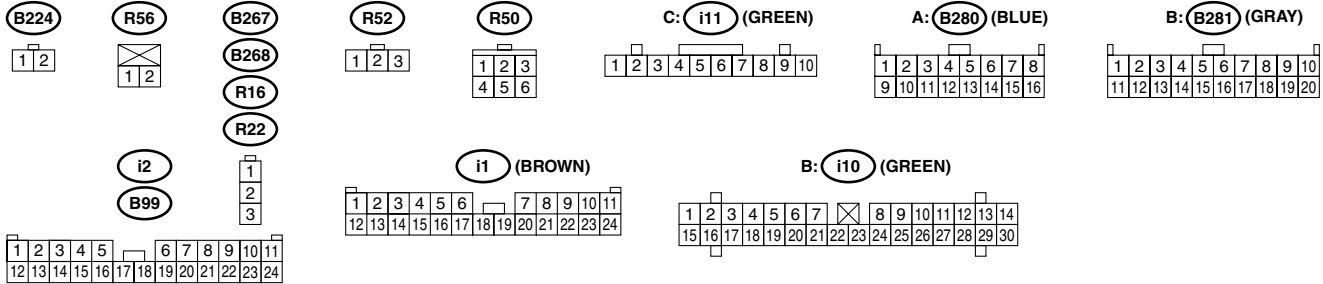
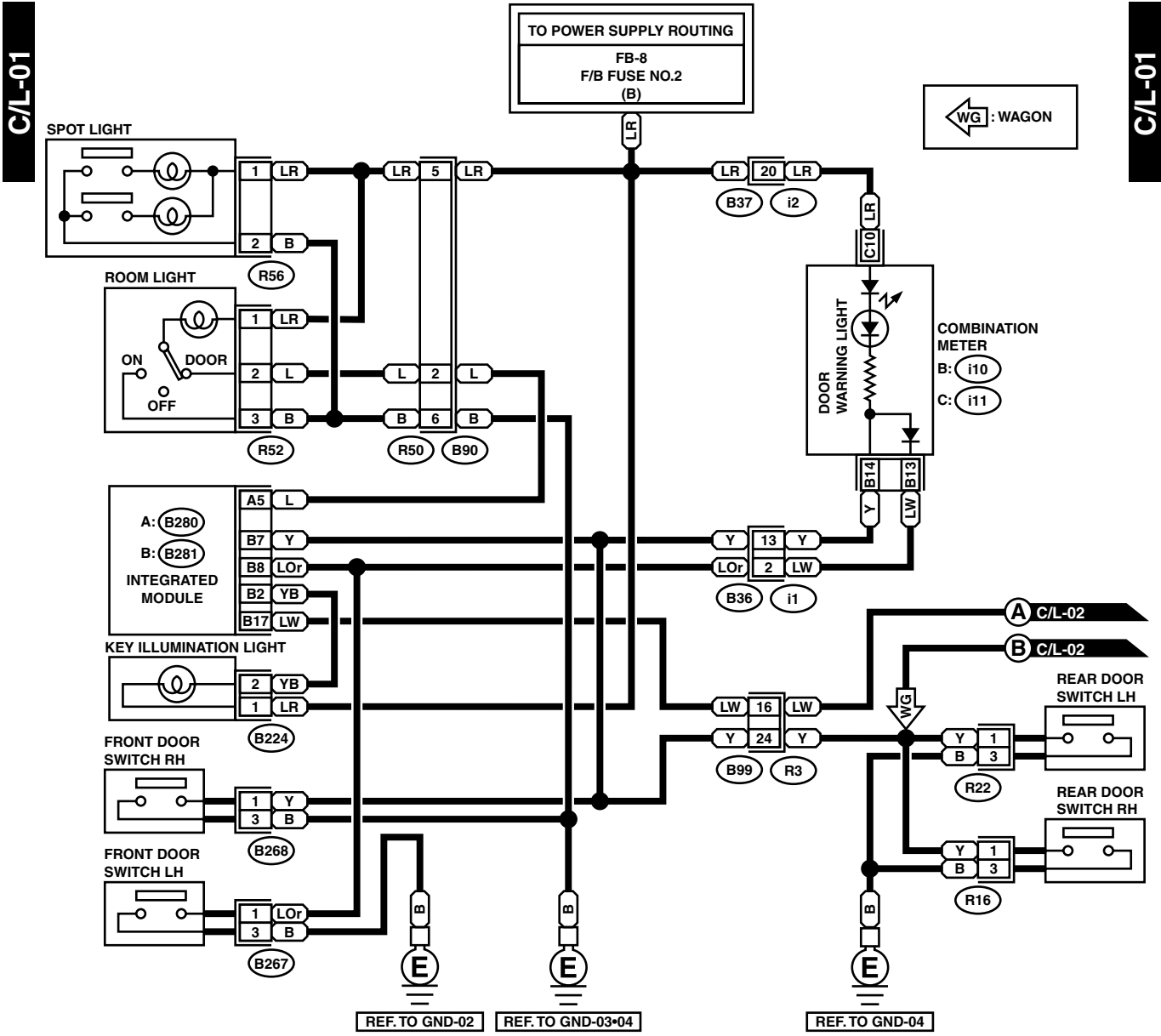


27. In Compartment Light System

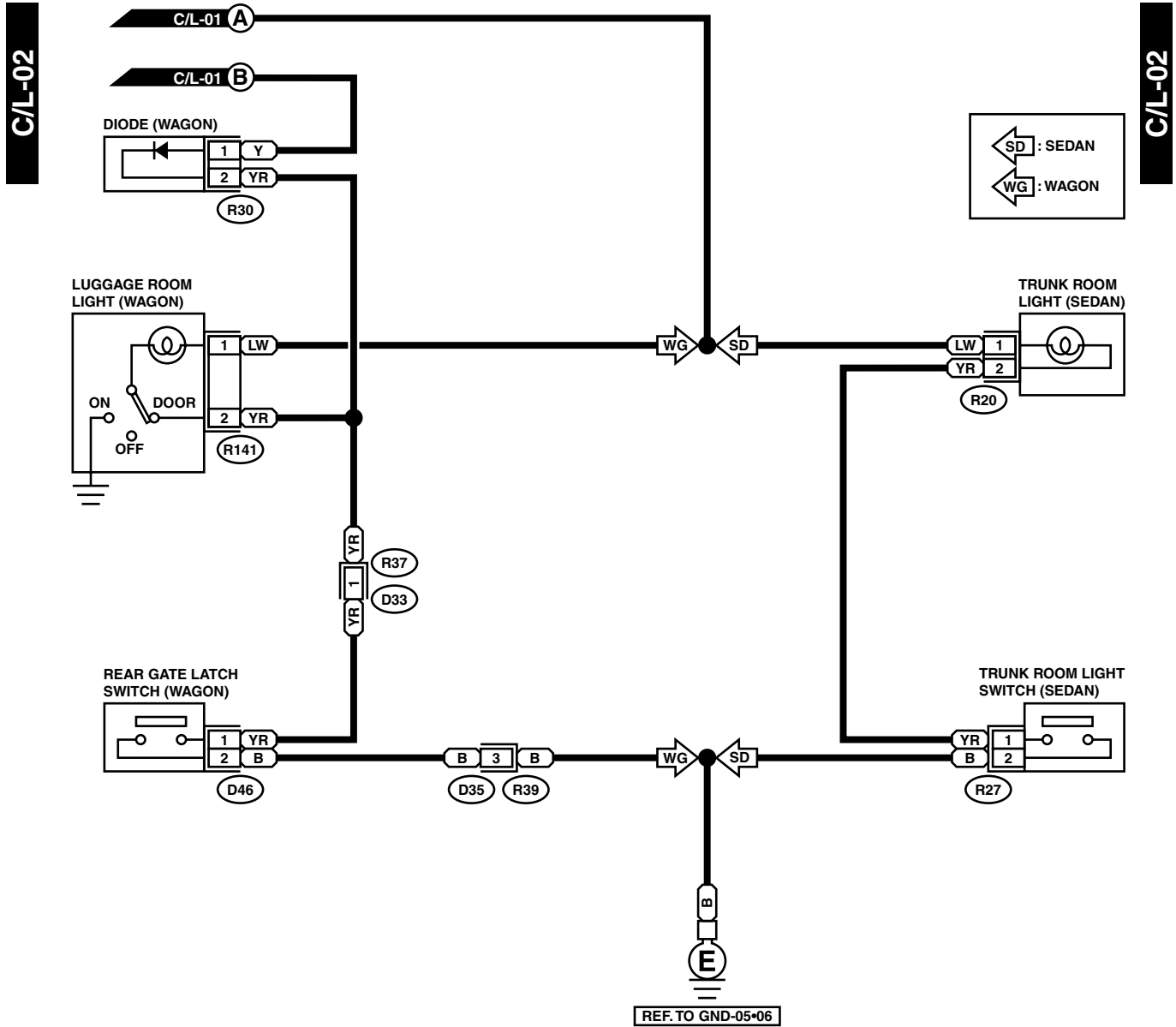
A: SCHEMATIC



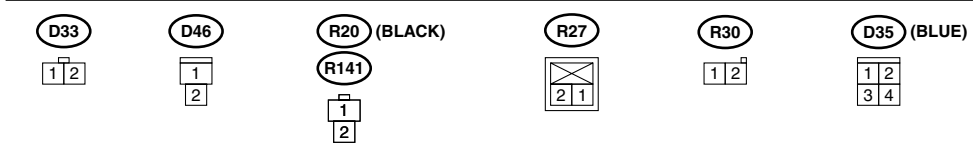
WI-02497

# IN COMPARTMENT LIGHT SYSTEM

WIRING SYSTEM



REF. TO GND-05\*06



WI-02498