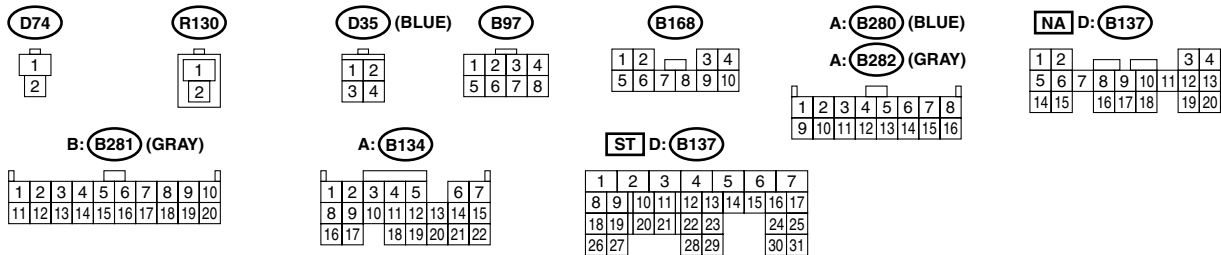
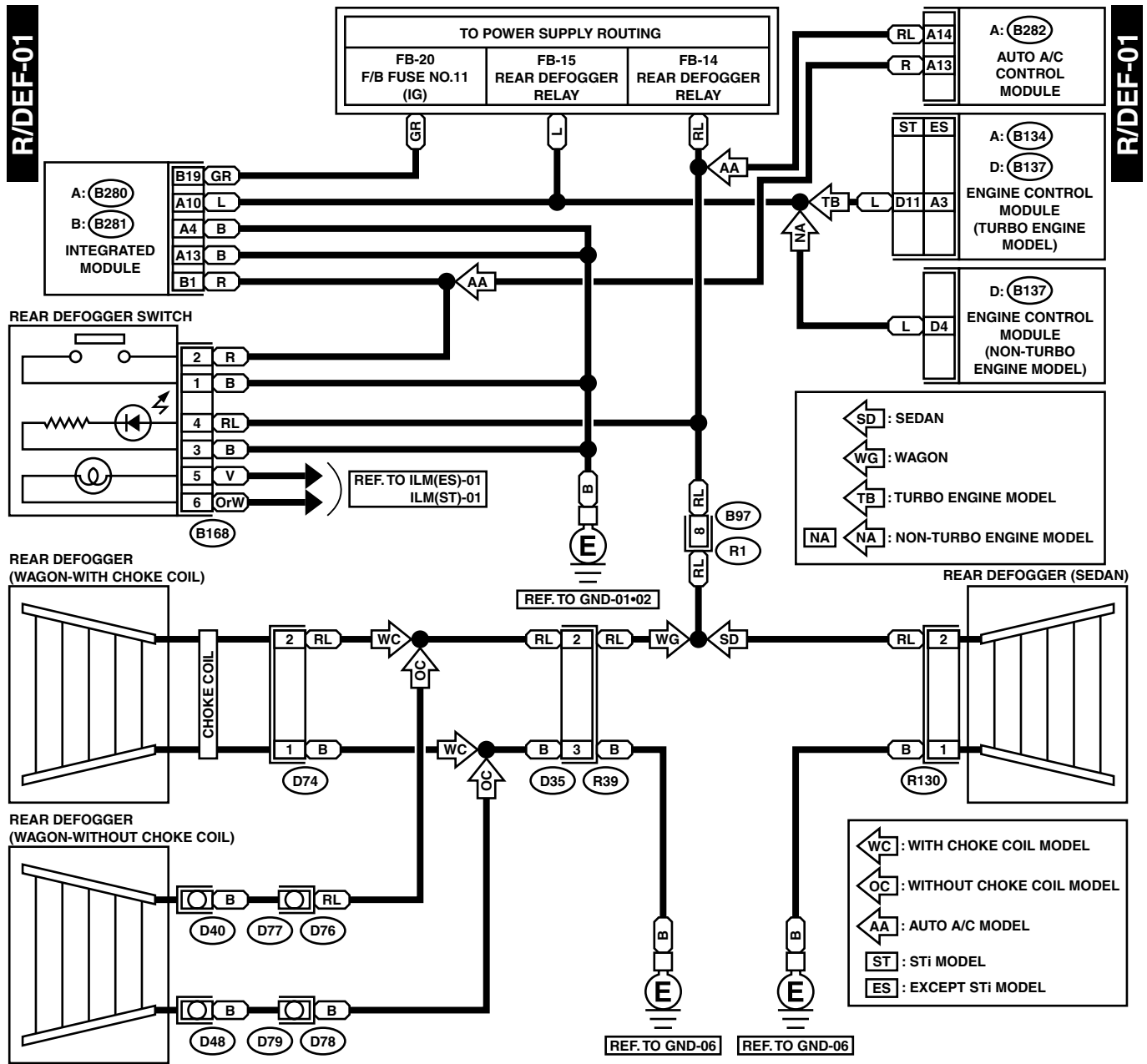


## 37. Rear Window Defogger System

### A: SCHEMATIC



WI-02508