

SEAT HEATER SYSTEM

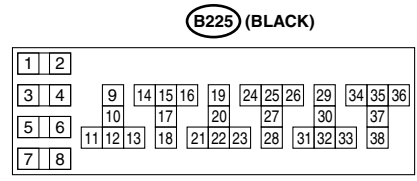
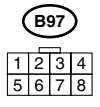
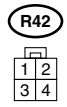
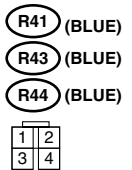
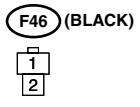
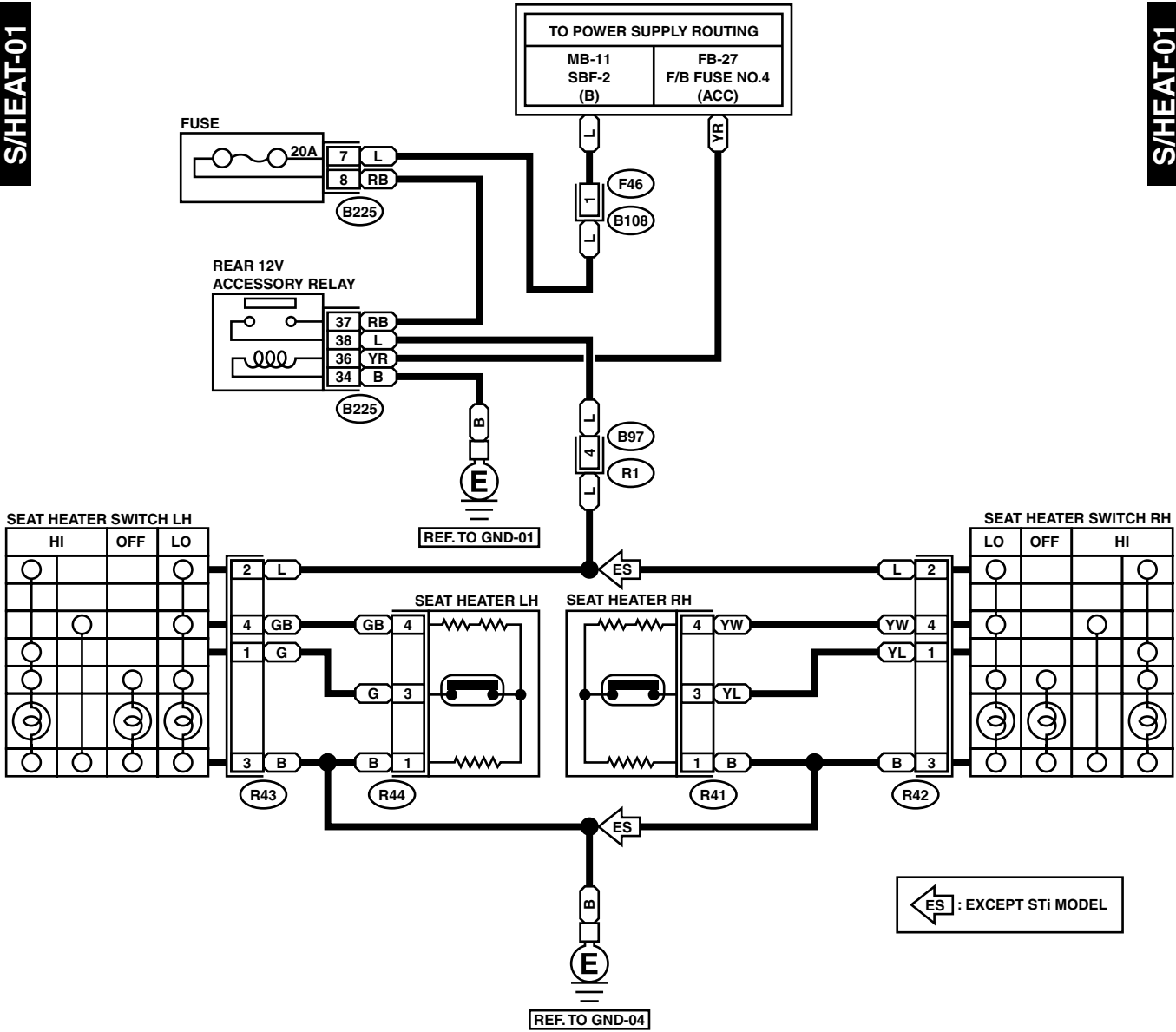
WIRING SYSTEM

40. Seat Heater System

A: SCHEMATIC

S/HEAT-01

S/HEAT-01



RELAY BLOCK

WI-02510