

SUNROOF SYSTEM

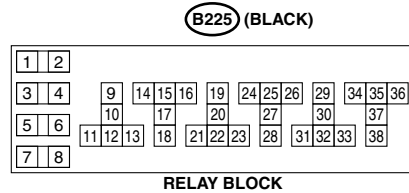
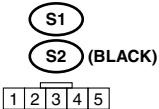
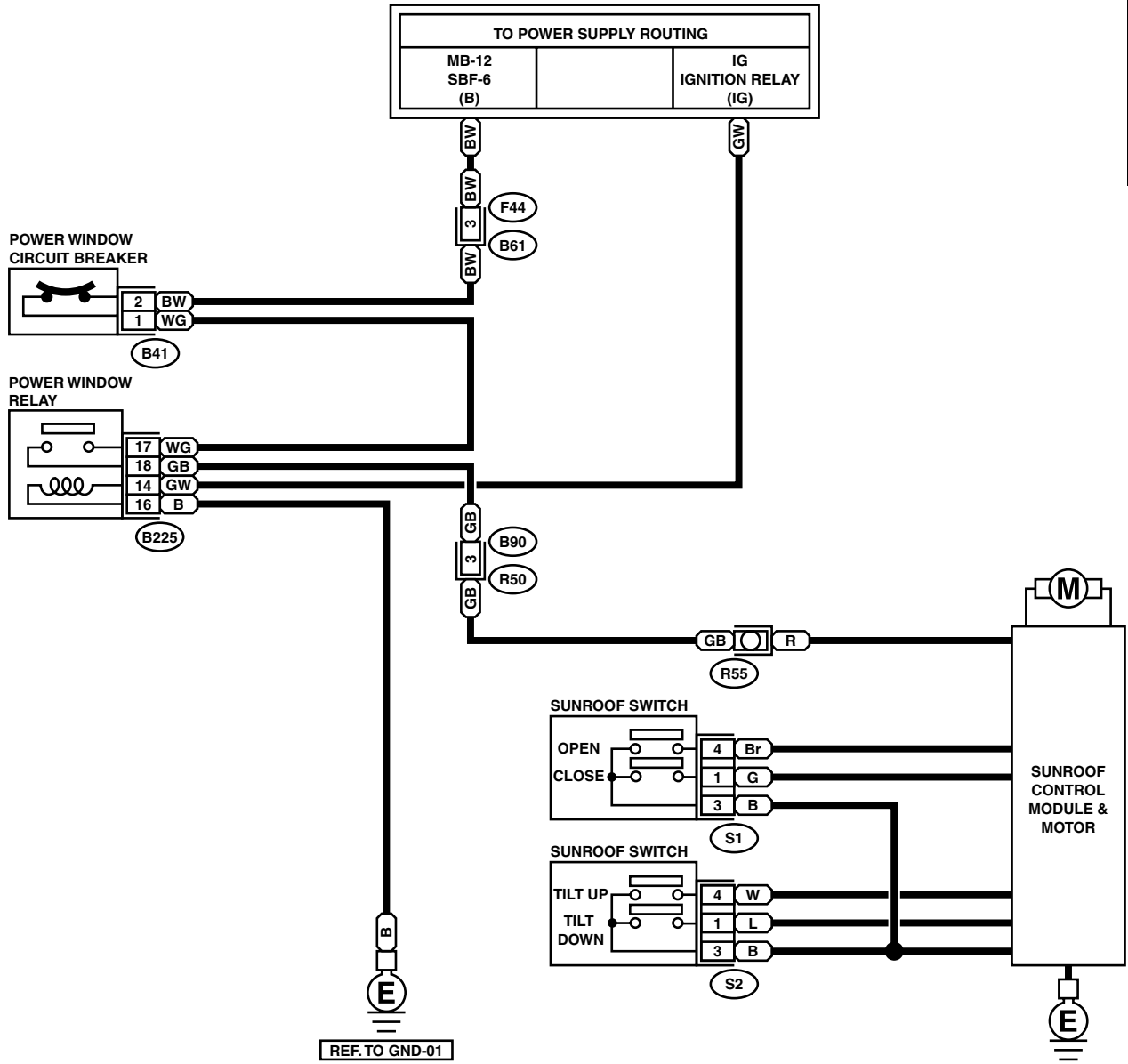
WIRING SYSTEM

43.Sunroof System

A: SCHEMATIC

S/R-01

S/R-01



WI-02514