

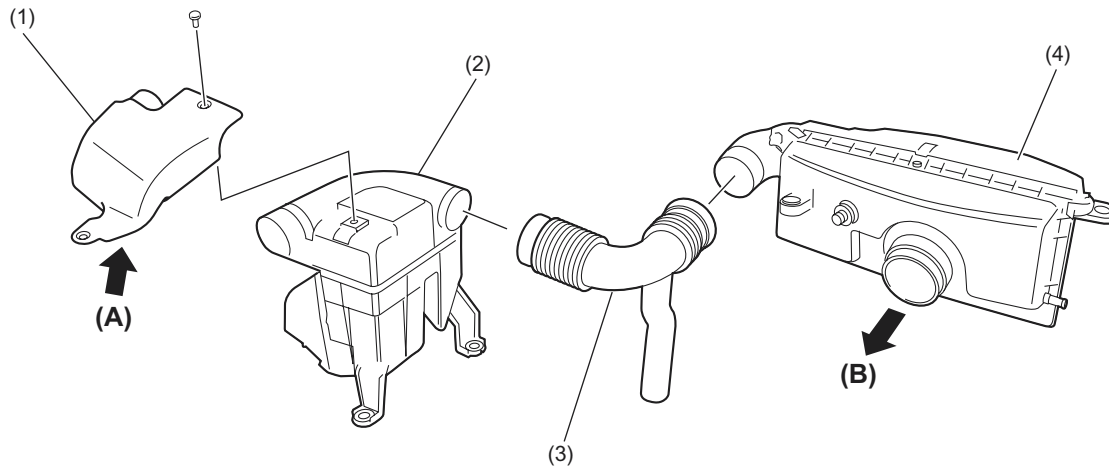
## GENERAL

### INTAKE (INDUCTION)

---

#### 1. General

The intake system consists of an intake duct, a resonator chamber, and an air cleaner element housed in its case. The resonator, located upstream of the air cleaner case, effectively reduces the intake noise level.



IN-00189

- (1) Intake duct
- (2) Resonator chamber
- (3) Intake duct
- (4) Air cleaner case

- (A) Outside air
- (B) To throttle body

IN(H4SO)-2