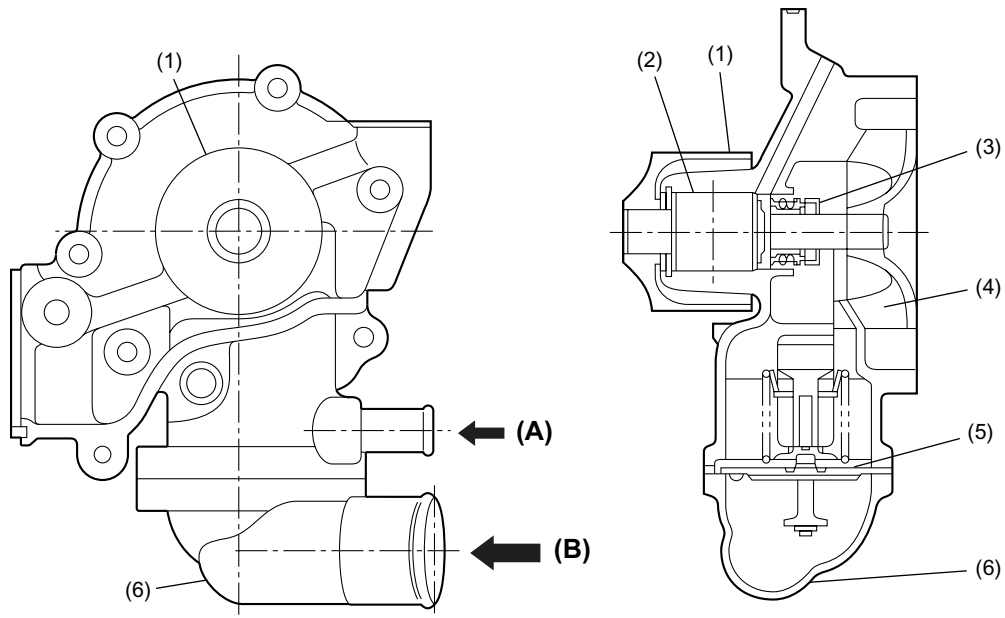


WATER PUMP

COOLING

3. Water Pump



CO-00056

- (A) From heater circuit
- (B) From radiator

- (1) Pulley
- (2) Ball bearing
- (3) Mechanical seal
- (4) Impeller
- (5) Thermostat
- (6) Thermostat cover

CO(H4SO)-4