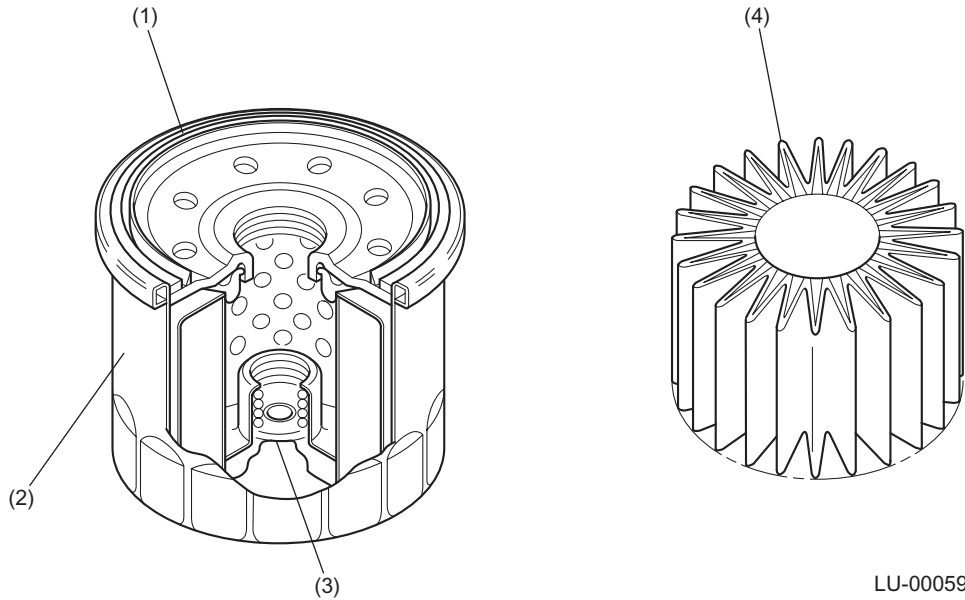


## OIL FILTER

### LUBRICATION

#### 4. Oil Filter

The oil filter is a full-flow filtering, cartridge type that utilizes a paper element. It also has a built-in bypass valve. If the filter gets clogged causing the oil pressure to rise to 157 kPa (1.6 kgf/cm<sup>2</sup>, 23 psi) or higher, the bypass valve opens and detours the engine oil to flow around the filter. The filter element has a special pleat design to increase the effective filtering area.



LU-00059

- (1) Oil seal
- (2) Filter body
- (3) Bypass valve
- (4) Pleated element

LU(H4SO)-6