

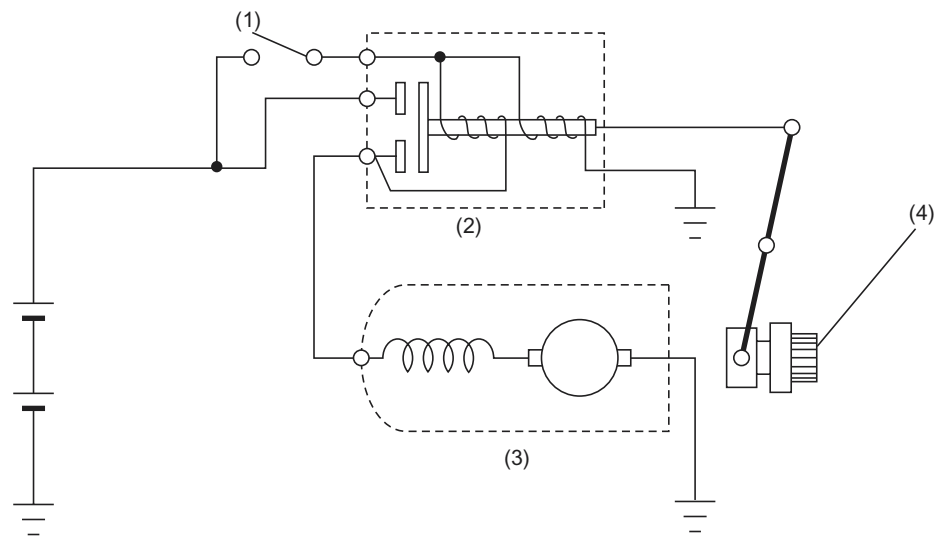
STARTER

STARTING/CHARGING

1. Starter

The starter is of a reduction type. Its output is as shown below.

Displacement	Output kW	
	MT	AT
2.0 L	1.0	1.4
2.5 L	1.0	1.4



SC-00056

- (1) Starter switch
- (2) Magnet switch
- (3) Starter
- (4) Pinion

SC(H4SO)-2