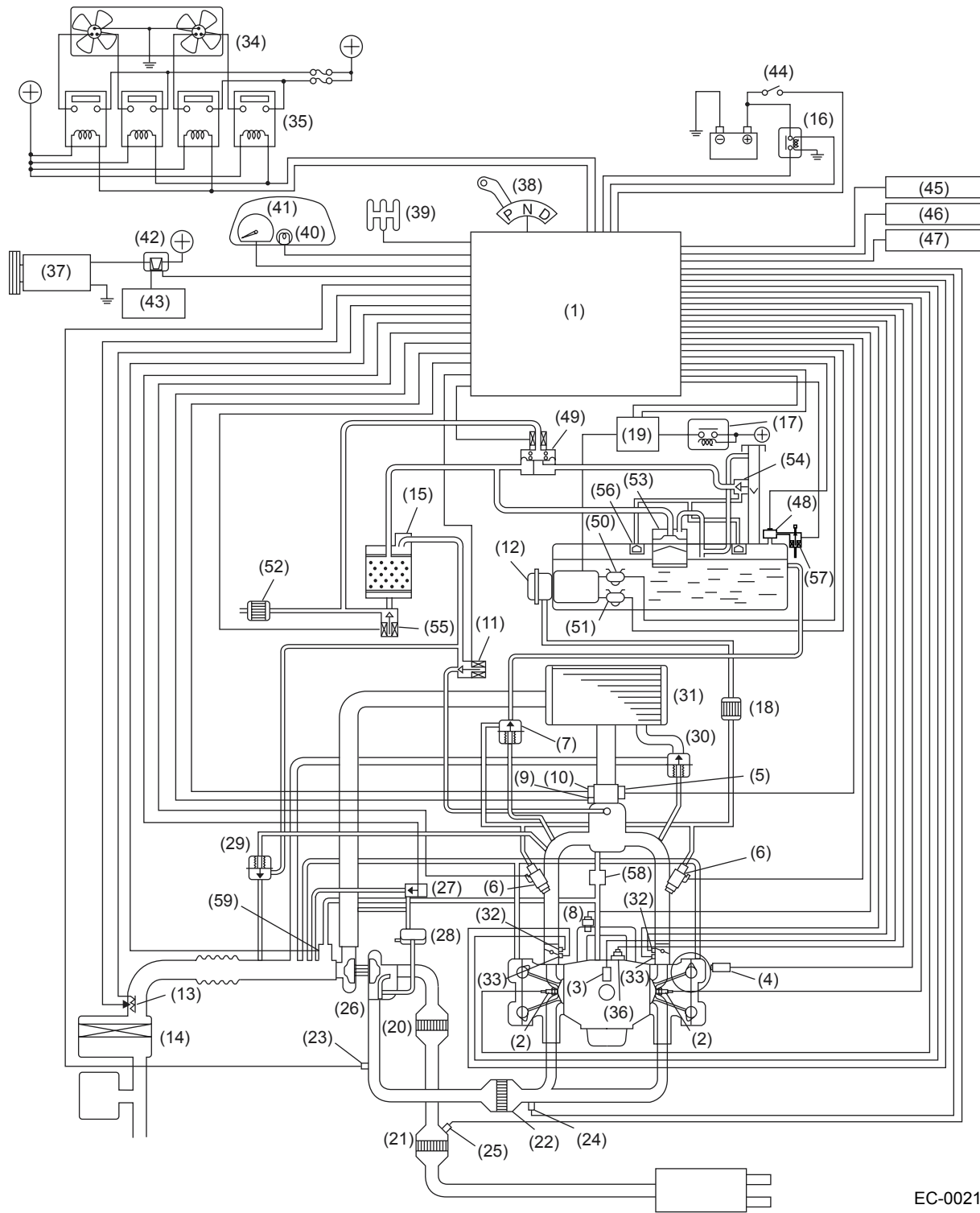


SCHEMATIC DIAGRAMS

EMISSION CONTROL (AUX. EMISSION CONTROL DEVICES)

2. Schematic Diagrams



EC-00210

EC(H4DOTC)-4

SCHEMATIC DIAGRAMS

EMISSION CONTROL (AUX. EMISSION CONTROL DEVICES)

- | | |
|------------------------------------------------------|-----------------------------------------------|
| (1) Engine control module (ECM) | (31) Intercooler |
| (2) Ignition coil and igniter assembly | (32) Tumble generator valve position sensor |
| (3) Crankshaft position sensor | (33) Tumble generator valve actuator |
| (4) Camshaft position sensor | (34) Radiator fan |
| (5) Throttle position sensor | (35) Radiator fan relay |
| (6) Fuel injector | (36) Knock sensor |
| (7) Pressure regulator | (37) A/C compressor |
| (8) Engine coolant temperature sensor | (38) Inhibitor switch (AT models) |
| (9) Manifold absolute pressure sensor | (39) Neutral position switch (MT models) |
| (10) Idle air control solenoid valve | (40) Engine malfunction indicator light (MIL) |
| (11) Purge control solenoid valve | (41) Tachometer |
| (12) Fuel pump | (42) A/C relay |
| (13) Mass air flow and intake air temperature sensor | (43) A/C control module |
| (14) Air cleaner element | (44) Ignition switch |
| (15) Canister | (45) Transmission control module (TCM) |
| (16) Main relay | (46) Vehicle speed sensor |
| (17) Fuel pump relay | (47) Data link connector |
| (18) Fuel filter | (48) Fuel tank pressure sensor |
| (19) Fuel pump control unit | (49) Pressure control solenoid valve |
| (20) Front catalytic converter | (50) Fuel temperature sensor |
| (21) Rear catalytic converter | (51) Fuel level sensor |
| (22) Pre-catalytic converter | (52) Drain filter |
| (23) Exhaust temperature sensor | (53) Vent valve |
| (24) Front oxygen (A/F) sensor | (54) Shut-off valve |
| (25) Rear oxygen sensor | (55) Drain valve |
| (26) Turbocharger | (56) Fuel cut valve |
| (27) Wastegate control solenoid valve | (57) Fuel tank sensor control valve |
| (28) Wastegate controller | (58) PCV valve |
| (29) Purge valve | (59) PCV diagnosis connector |
| (30) Air bypass valve | |

EC(H4DOTC)-5