

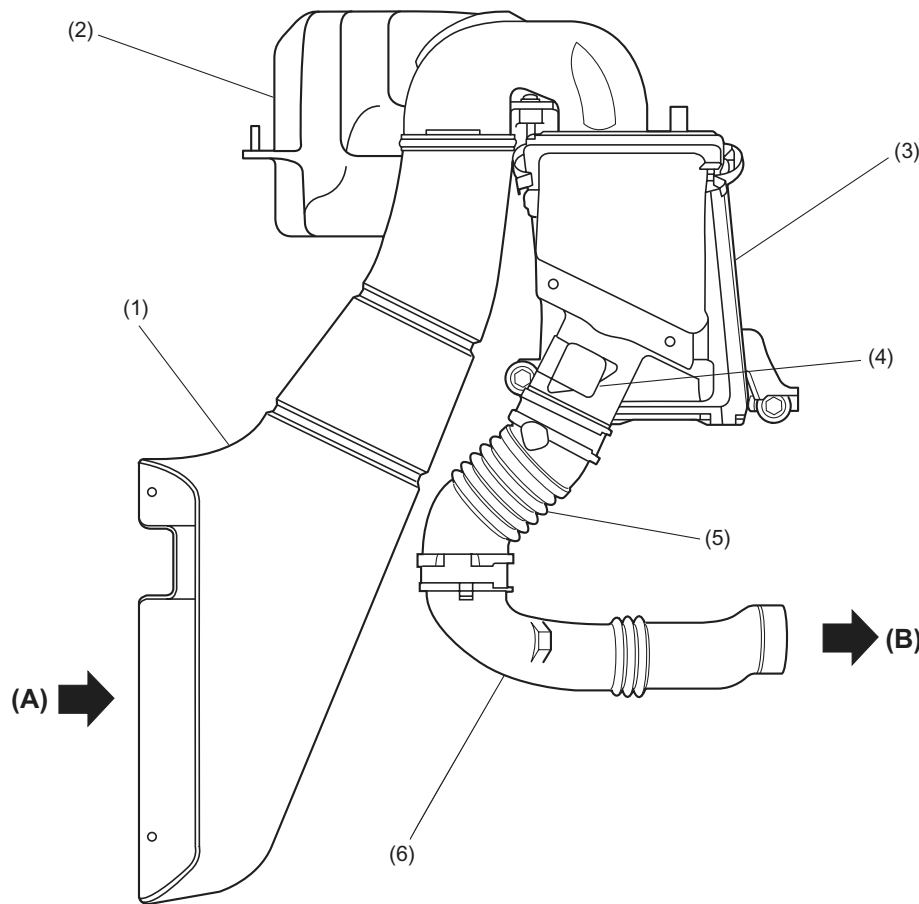
INTAKE SYSTEM

INTAKE (INDUCTION)

1. Intake System

A: GENERAL

The intake system consists of an intake duct, a resonator chamber, and an air cleaner element housed in its case. The resonator, located upstream of the air cleaner case, effectively reduces the intake noise level.



IN-00184

- | | |
|---|---------------------|
| (1) Intake duct | (A) Outside air |
| (2) Resonator chamber | (B) To turbocharger |
| (3) Air cleaner case | |
| (4) Mass air flow and intake air temperature sensor | |
| (5) Intake boot | |
| (6) Intake duct | |

IN(H4DOTC)-2