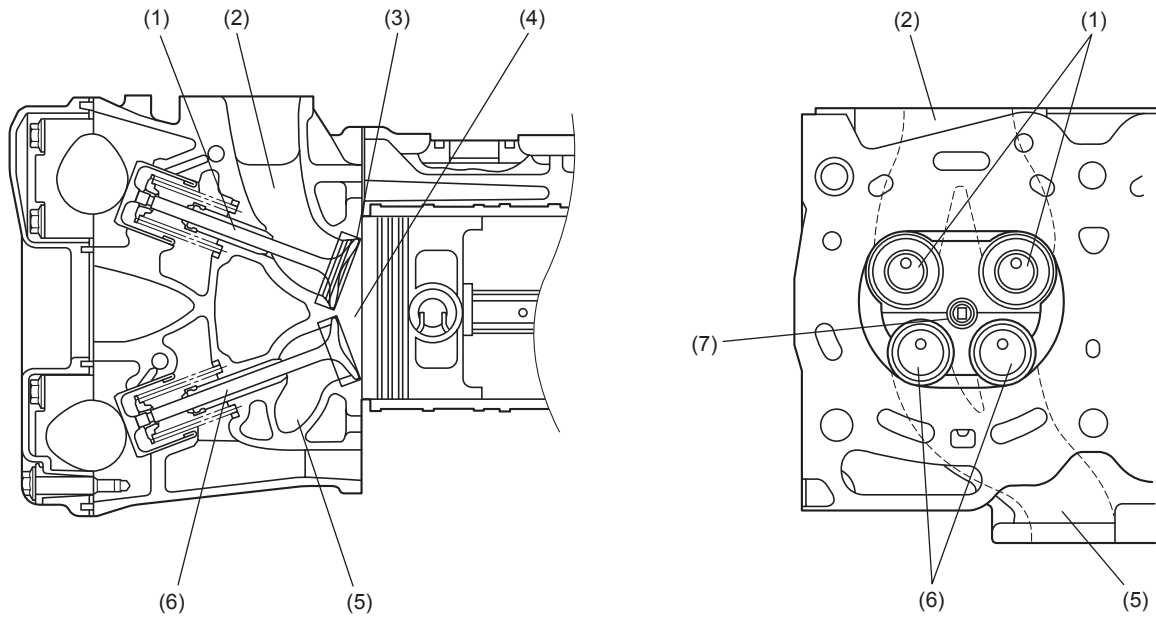


CYLINDER HEAD

MECHANICAL

6. Cylinder Head

- The cylinder head is made of aluminum die casting.
- Each combustion chamber in the cylinder head is a compact, pentroof design. The spark plug is located at the center of the combustion chamber, which contributes to creation of a wide “squish area” for increased combustion efficiency.
- The two intake and two exhaust valves are arranged on opposite sides for a cross-flow feature.
- The cylinder head gasket is a metallic gasket consisting of three layers of the stainless steel sheets. The gasket is highly resistant to heat and maintains high level of sealing performance for a long period.



ME-00762

- | | |
|------------------------|-------------------|
| (1) Intake valve | (5) Exhaust port |
| (2) Intake port | (6) Exhaust valve |
| (3) Squish area | (7) Spark plug |
| (4) Combustion chamber | |

ME(H4DOTC)-9