

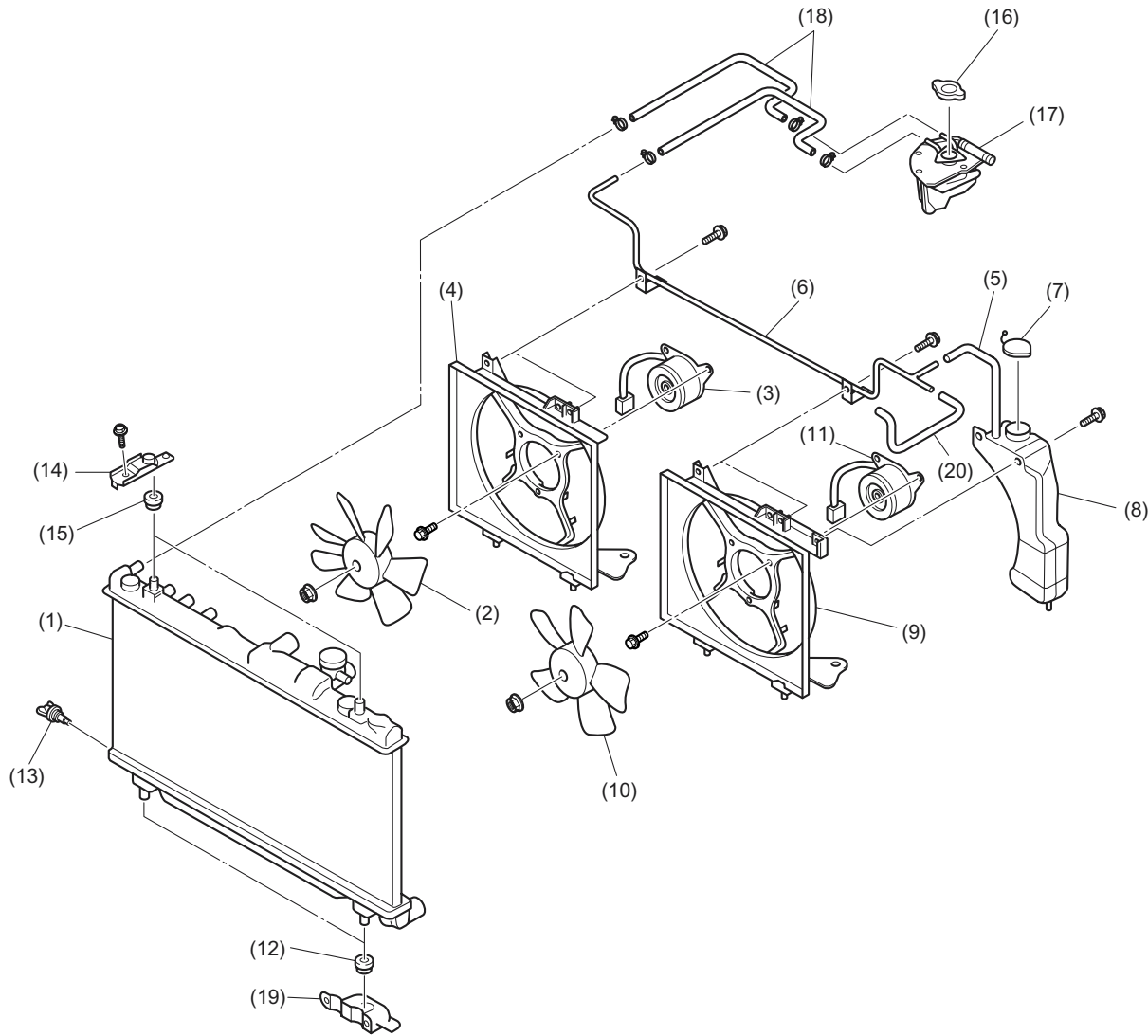
RADIATOR FAN

COOLING

6. Radiator Fan

A: DESCRIPTION

Each radiator fan is made of plastic. It is driven by an electric motor which is retained on a shroud.



CO-00244

CO(H4DOTC)-8

RADIATOR FAN

COOLING

- | | |
|---|---|
| (1) Radiator | (12) Lower cushion |
| (2) Radiator sub fan (models with A/C) | (13) Drain plug |
| (3) Radiator sub fan motor (models with A/C) | (14) Upper bracket |
| (4) Radiator sub fan shroud (models with A/C) | (15) Upper cushion |
| (5) Overflow hose (A) | (16) Radiator cap (coolant filler tank cap) |
| (6) Overflow pipe | (17) Coolant filler tank |
| (7) Reservoir tank cap | (18) Coolant hose |
| (8) Reservoir tank | (19) Lower bracket |
| (9) Radiator main fan shroud | (20) Overflow hose (B) |
| (10) Radiator main fan | |
| (11) Radiator main fan motor | |
- A/C: Air conditioning system

CO(H4DOTC)-9

RADIATOR FAN

COOLING

B: FUNCTION

1. MODELS WITHOUT A/C

The ON-OFF control and Hi-Low control of the radiator fan is performed by the ECM which receives signals from the engine coolant temperature sensor.

Vehicle speed	Engine coolant temperature		
	Lower than 90°C (194°F)	Between 90 and 95°C (194 and 203°F)	Higher than 96°C (205°F)
	Operation of radiator fans		
Lower than 19 km/h (12 MPH)	OFF	OFF	Low speed
Between 20 and 69 km/h (12 and 43 MPH)	OFF	OFF	High-Speed
Between 70 and 105 km/h (43 and 65 MPH)	OFF	OFF	High-Speed
Higher than 106 km/h (66 MPH)	OFF	OFF	High-Speed

2. MODELS WITH A/C

On models equipped with an air conditioning system, the ECM or ECM/TCM receives signals from the engine coolant temperature sensor, vehicle speed sensor and A/C switch, and based on these signals, the ECM controls the HIGH-LOW of the radiator main fan and sub fan.

Vehicle speed	A/C compressor	Engine coolant temperature					
		Lower than 90°C (194°F)		Between 90 and 95°C (194 and 203°F)		Higher than 96°C (205°F)	
		Operation of radiator fans		Operation of radiator fans		Operation of radiator fans	
		Main fan	Sub fan	Main fan	Sub fan	Main fan	Sub fan
Lower than 19 km/h (12 MPH)	OFF	OFF	OFF	OFF	OFF	Low-Speed	Low-Speed
	ON	Low-Speed	Low-Speed	High-Speed	High-Speed	High-Speed	High-Speed
Between 20 and 69 km/h (12 and 43 MPH)	OFF	OFF	OFF	OFF	OFF	High-Speed	High-Speed
	ON	High-Speed	High-Speed	High-Speed	High-Speed	High-Speed	High-Speed
Between 70 and 105 km/h (43 and 65 MPH)	OFF	OFF	OFF	OFF	OFF	High-Speed	High-Speed
	ON	Low-Speed	Low-Speed	Low-Speed	Low-Speed	High-Speed	High-Speed
Higher than 106 km/h (66 MPH)	OFF	OFF	OFF	OFF	OFF	High-Speed	High-Speed
	ON	OFF	OFF	Low-Speed	OFF	High-Speed	High-Speed