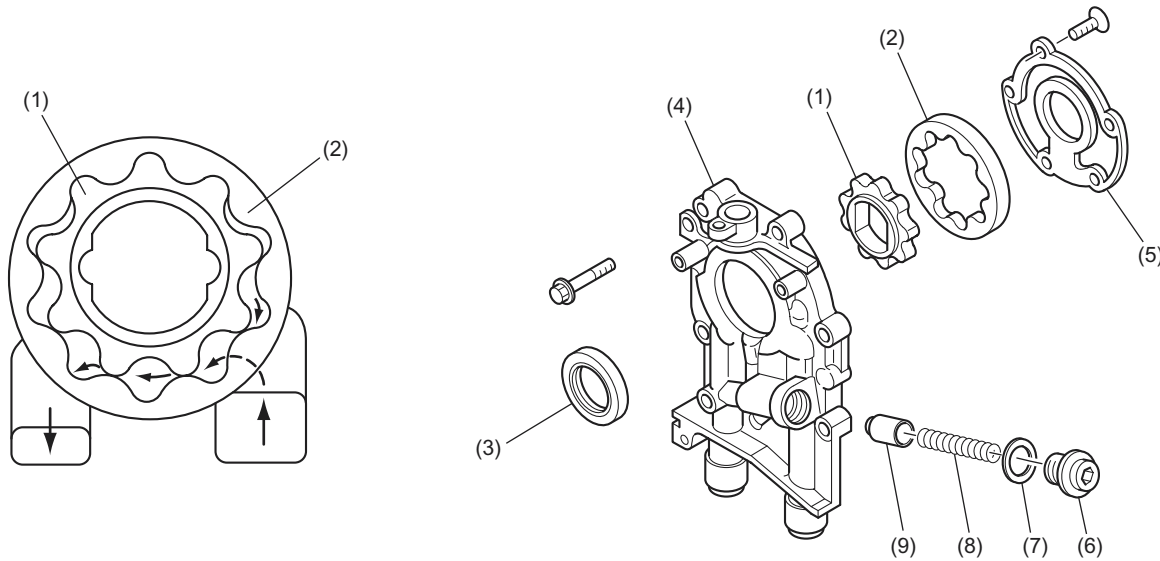


OIL PUMP

LUBRICATION

3. Oil Pump

- The oil pump is a trochoid rotor type consisting of an inner rotor and outer rotor assembled with each other in a pump body. When the inner rotor is driven by the crankshaft, the outer rotor is rotated, changing the space between it and the inner rotor. The change in the space occurs because of the difference in the number of teeth between the rotors.
- Engine oil is carried from the inlet port to the discharge port. As the pump rotates, the space carrying the oil becomes smaller, thus the oil is pressurized and discharged from the outlet port.
- A relief valve is built in the oil pump at its discharge side. When the oil pressure becomes 588 kPa (6.0 kgf/cm², 85 psi) or higher, the relief valve regulates the pressure by sending excessive oil back to the inlet side.



LU-00058

- | | |
|--------------------|-------------------------|
| (1) Inner rotor | (6) Plug |
| (2) Outer rotor | (7) Gasket |
| (3) Oil seal | (8) Relief valve spring |
| (4) Oil pump case | (9) Relief valve |
| (5) Oil pump cover | |

LU(H4DOTC)-5