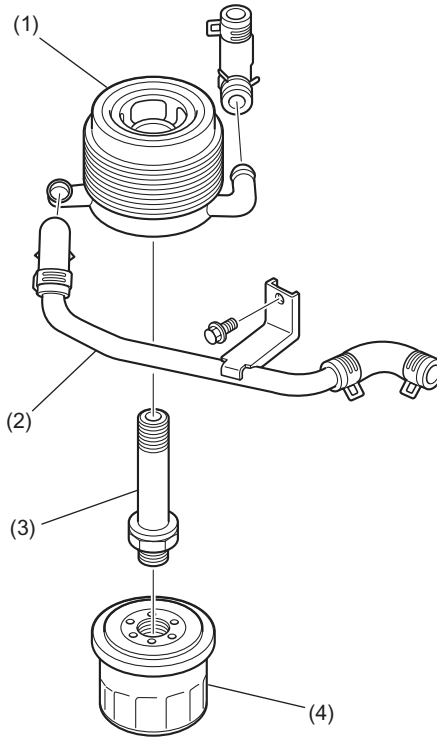


OIL COOLER

LUBRICATION

7. Oil Cooler

The oil cooler used in turbo models is of a water cooled type. It serves to maintain engine oil in proper temperature range and so prevent degradation of lubricating oil performance.



LU-00067

- (1) Oil cooler
- (2) Water pipe

- (3) Connector
- (4) Oil filter

LU(H4DOTC)-9

OIL COOLER

LUBRICATION

MEMO

LU(H4DOTC)-10