

GENERAL

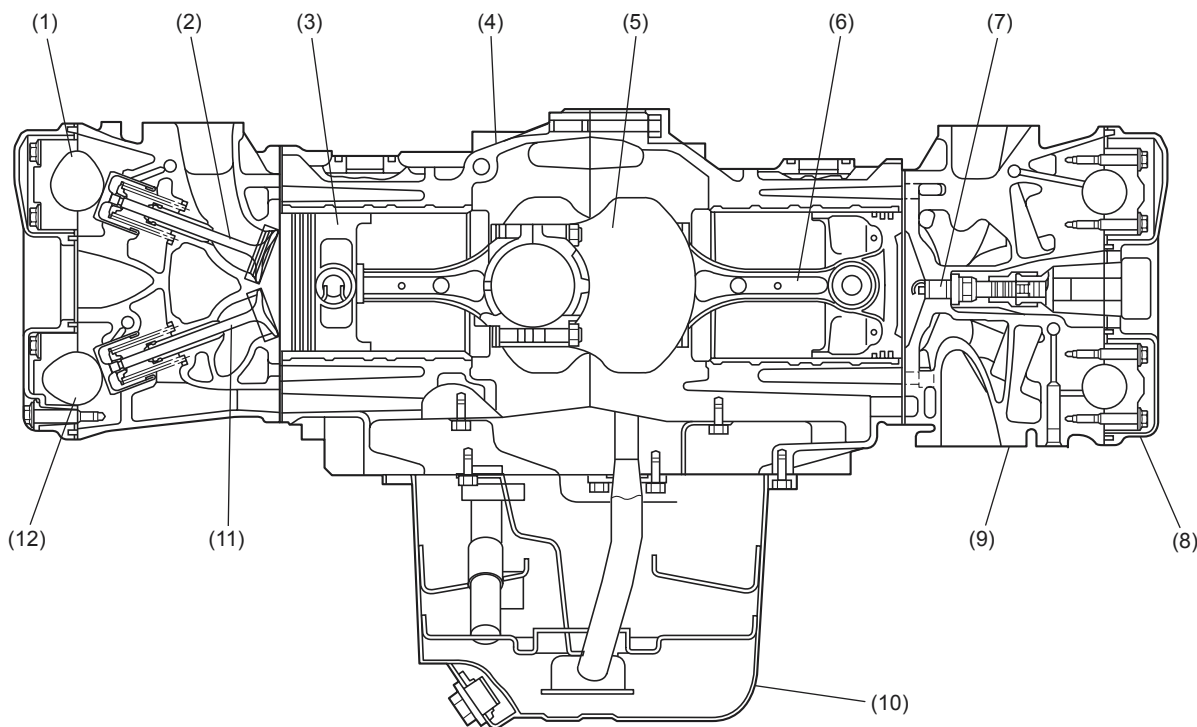
MECHANICAL

1. General

The engine used in this vehicle is of a horizontally opposed, four-cylinder design. This four-stroke-cycle, water-cooled, DOHC turbocharged engine uses a total of 16 valves and its main components are made of aluminum alloy. It is fueled by a multiple fuel injection system.

The engine's major structural and functional features are as follows:

- The cylinder head forms pentroof combustion chambers, each having a spark plug located at its center and two each of intake and exhaust valves (four valves per cylinder). The intake and exhaust ports are located in a cross-flow arrangement.
- A single timing belt drives four camshafts on the left and right banks and the engine coolant pump on the left bank. Belt tension is automatically adjusted by a belt tension adjuster, eliminating need for a manual adjustment.
- The crankshaft is supported by five bearings with high rigidity and strength.
- The cylinder block is an aluminum casting fitted with cast iron cylinder liners.



ME-00761

- | | | |
|---------------------|------------------------|-----------------------|
| (1) Intake camshaft | (5) Crankshaft | (9) Cylinder Head |
| (2) Intake valve | (6) Connecting rod | (10) Oil pan |
| (3) Piston | (7) Spark plug | (11) Exhaust valve |
| (4) Cylinder block | (8) Valve rocker cover | (12) Exhaust camshaft |

ME(STi)-2