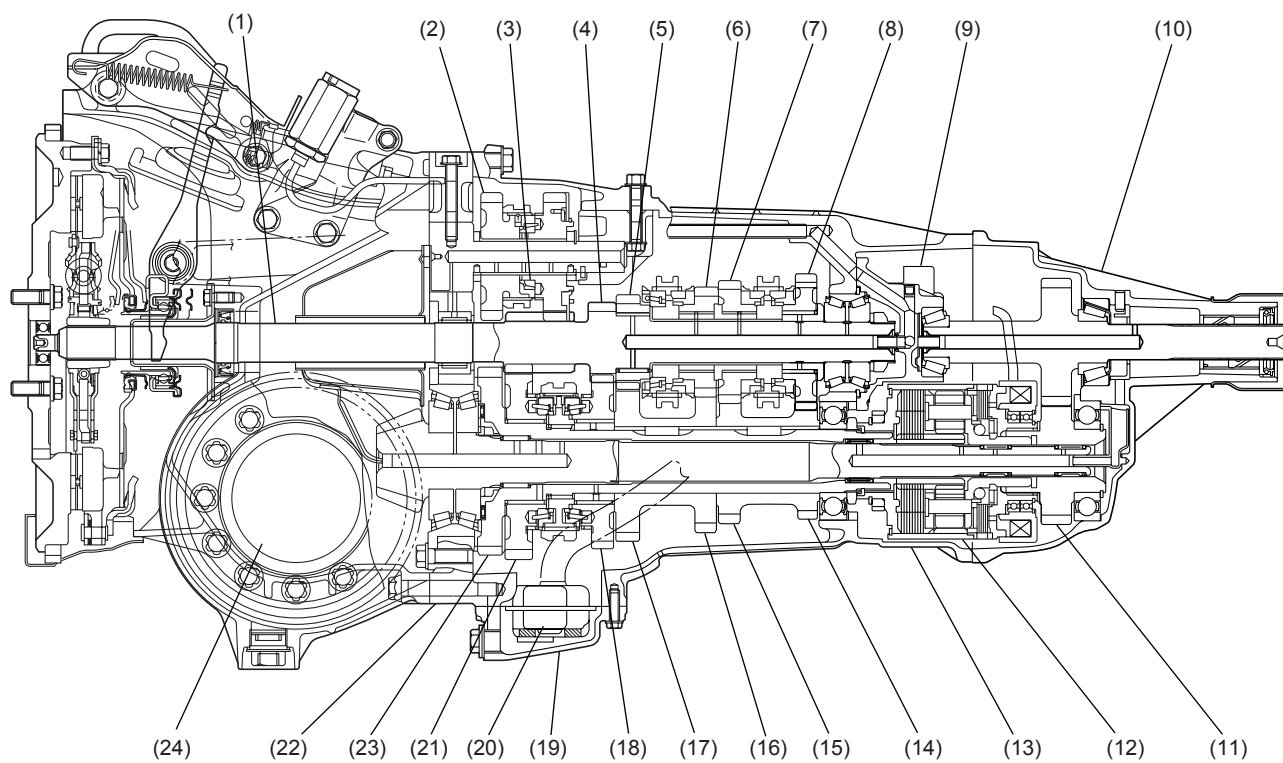


## CROSS SECTIONAL VIEW

MANUAL TRANSMISSION AND DIFFERENTIAL

### 2. Cross Sectional View



MT-00981

- |                        |                                   |                                  |
|------------------------|-----------------------------------|----------------------------------|
| (1) Main shaft         | (9) Transfer driven gear          | (17) 3rd driven gear             |
| (2) Reverse idler gear | (10) Extension case               | (18) 2nd driven gear             |
| (3) 1st drive gear     | (11) Transfer drive gear          | (19) Oil pan                     |
| (4) 2nd drive gear     | (12) Center differential assembly | (20) Oil strainer                |
| (5) 3rd drive gear     | (13) Transmission case            | (21) 1st driven gear             |
| (6) 4th drive gear     | (14) 6th driven gear              | (22) Adapter plate               |
| (7) 5th drive gear     | (15) 5th driven gear              | (23) Reverse driven gear         |
| (8) 6th drive gear     | (16) 4th driven gear              | (24) Front differential assembly |