

REVERSE CHECK MECHANISM

MANUAL TRANSMISSION AND DIFFERENTIAL

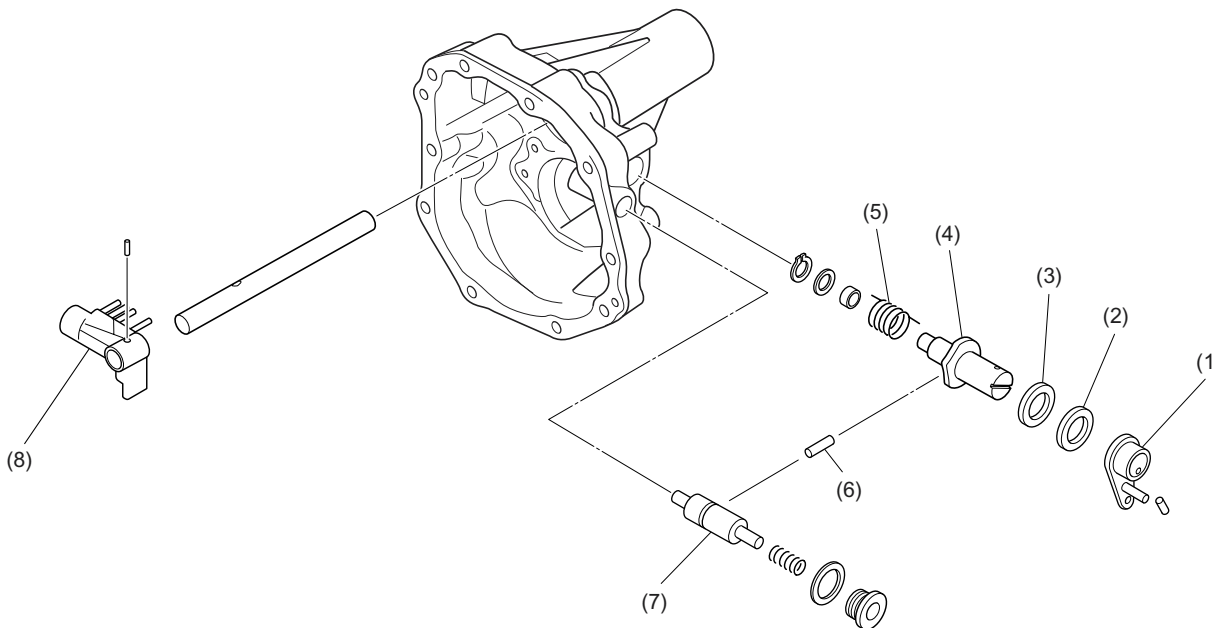
6. Reverse Check Mechanism

The reverse check mechanism prevents the reverse gear from being accidentally engaged when the driver makes a shift into the 5th or 6th gear. This mechanism is provided with a fail-safe function which enable shifting into reverse if the reverse check cable should be broken.

A: CONSTRUCTION

The reverse check mechanism is located inside the extension case.

It consists of a reverse check lever, oil seal, bearing, reverse check shaft, spring, plug and reverse check plug.



MT-00902

- (1) Reverse check lever
- (2) Oil seal
- (3) Bearing
- (4) Reverse check shaft

- (5) Spring
- (6) Interlock plunger
- (7) Reverse check plunger
- (8) No. 1 selector arm

REVERSE CHECK MECHANISM

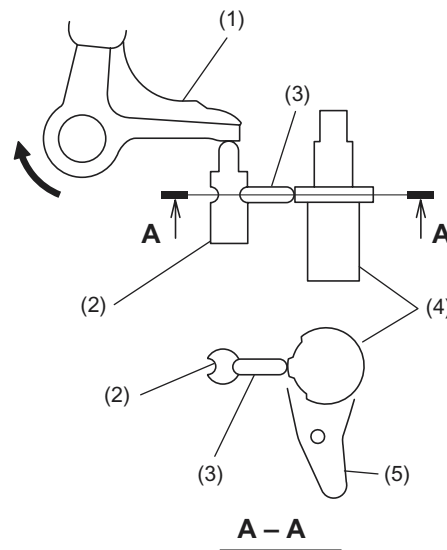
MANUAL TRANSMISSION AND DIFFERENTIAL

B: OPERATION

1. MAKING SHIFT INTO 5TH/6TH

When the shift lever is moved into the 5th or 6th position, the No. 1 selector arm comes into contact with the reverse check plunger, trying to move the reverse check plunger.

However, one end of the interlock plunger is in contact with the cam lobe on the reverse check shaft and the other end is held in the groove in the reverse check plunger, so the selector arm cannot move in the reverse gear selecting direction.



MT-00903

- (1) No. 1 selector arm
- (2) Reverse check plunger
- (3) Interlock plunger

- (4) Reverse check shaft
- (5) Reverse check lever

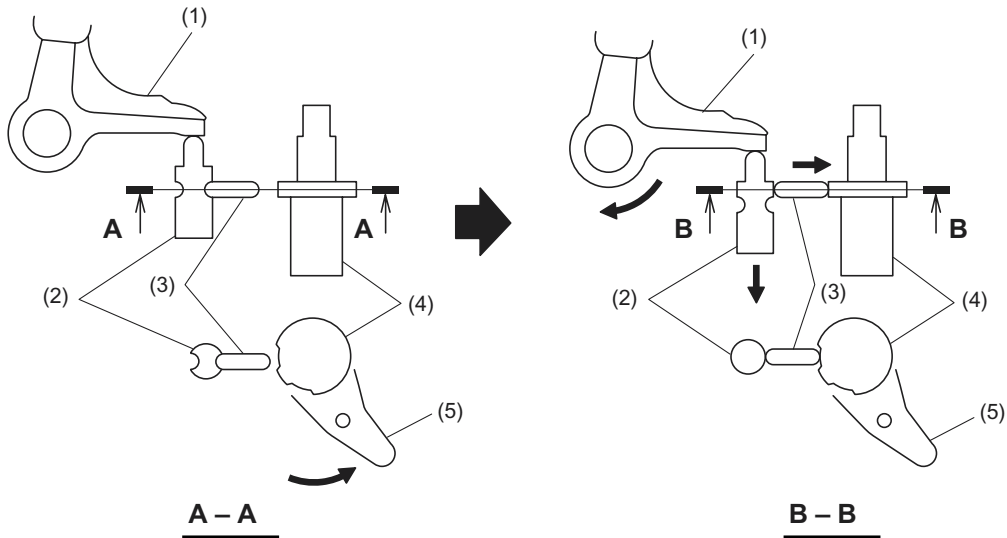
REVERSE CHECK MECHANISM

MANUAL TRANSMISSION AND DIFFERENTIAL

2. MAKING SHIFT INTO REVERSE

When making a shift into reverse, the driver lifts the slider on the shift lever. The upward movement of the slider causes, via the reverse check cable, the reverse check shaft to turn such that the cam lobe on the reverse check shaft becomes clear of the interlock plunger.

The interlock plunger can now move toward the reverse check shaft, allowing the selector arm to turn in the reverse gear selecting direction.



MT-00904

- (1) Selector arm
- (2) Reverse check plunger
- (3) Interlock plunger

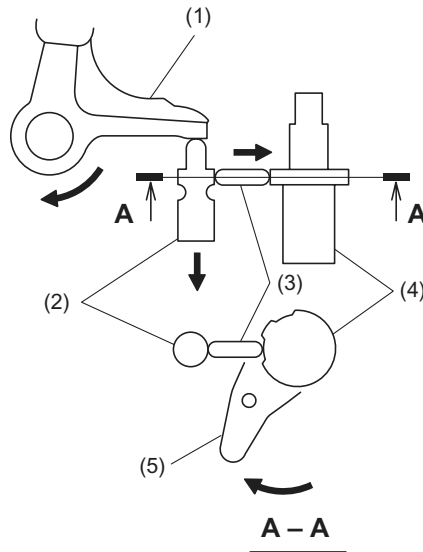
- (4) Reverse check shaft
- (5) Reverse check lever

REVERSE CHECK MECHANISM

MANUAL TRANSMISSION AND DIFFERENTIAL

3. FAIL-SAFE OPERATION

Should the reverse check cable be broken, the reverse check shaft turns clockwise by a spring force, making the plunger get clear of the cam lobe of the reverse check shaft. The plunger can now move toward the reverse check shaft, allowing the selector arm to turn in the reverse gear selecting direction.



MT-00905

- | | |
|---------------------------|-------------------------|
| (1) Selector arm | (4) Reverse check shaft |
| (2) Reverse check plunger | (5) Reverse check lever |
| (3) Interlock plunger | |