

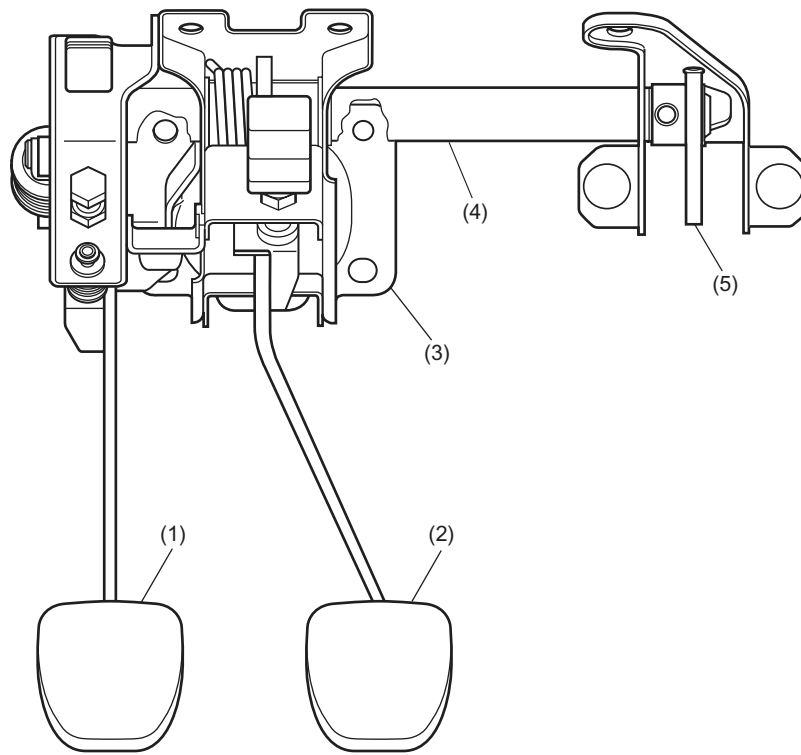
HYDRAULIC CLUTCH PEDAL SYSTEM

CLUTCH

4. Hydraulic Clutch Pedal System

A: CONSTRUCTION

- The hydraulic clutch pedal is connected to the master cylinder via a rod.
- The clutch pedal and brake pedal are mounted on the same bracket.



CL-00086

- | | |
|------------------------------------|-----------|
| (1) Clutch pedal | (4) Rod |
| (2) Brake pedal | (5) Lever |
| (3) Brake and clutch pedal bracket | |

- The clutch pedal has a mechanism that reduces the initial force required to depress the clutch pedal.
- A starter interlock mechanism is provided to prevent the engine from starting unless the clutch pedal is pressed.

CL-9

HYDRAULIC CLUTCH PEDAL SYSTEM

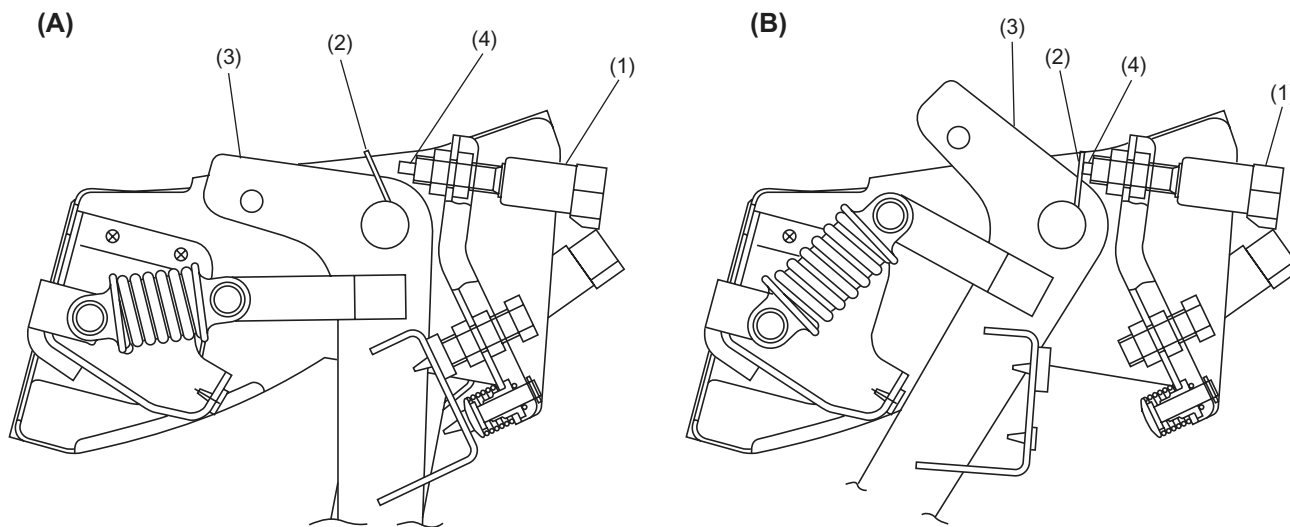
CLUTCH

B: OPERATION

1. STARTER INTERLOCK MECHANISM

When the clutch pedal is fully depressed, the stopper on the pedal pushes the clutch switch pushrod inwards.

When the pushrod is pressed in, the switch turns ON and connects the ignition switch to the starter circuit enabling engine start.



CL-00138

(A) When clutch switch is OFF

- (1) Clutch switch
- (2) Stopper

(B) When clutch switch is ON

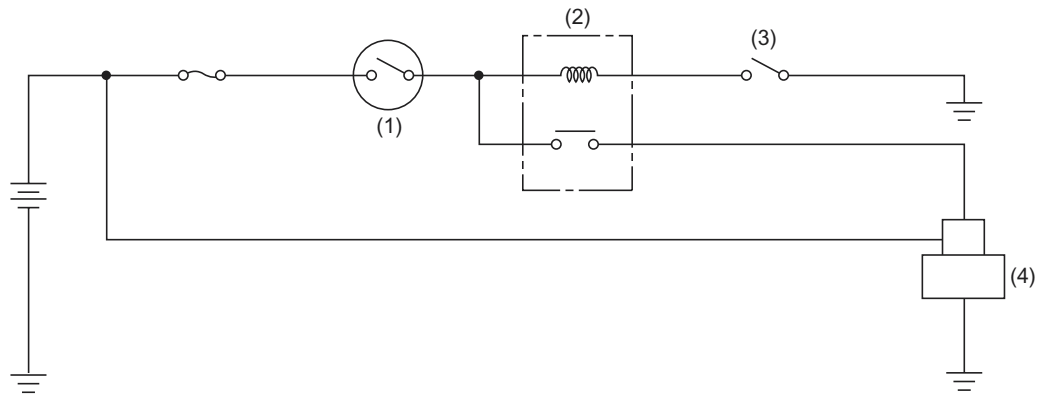
- (3) Clutch pedal
- (4) Pushrod

CL-10

HYDRAULIC CLUTCH PEDAL SYSTEM

CLUTCH

● CIRCUIT DIAGRAM



CL-00137

- (1) Ignition switch
- (2) Starter relay

- (3) Clutch switch
- (4) Starter motor

CL-11