

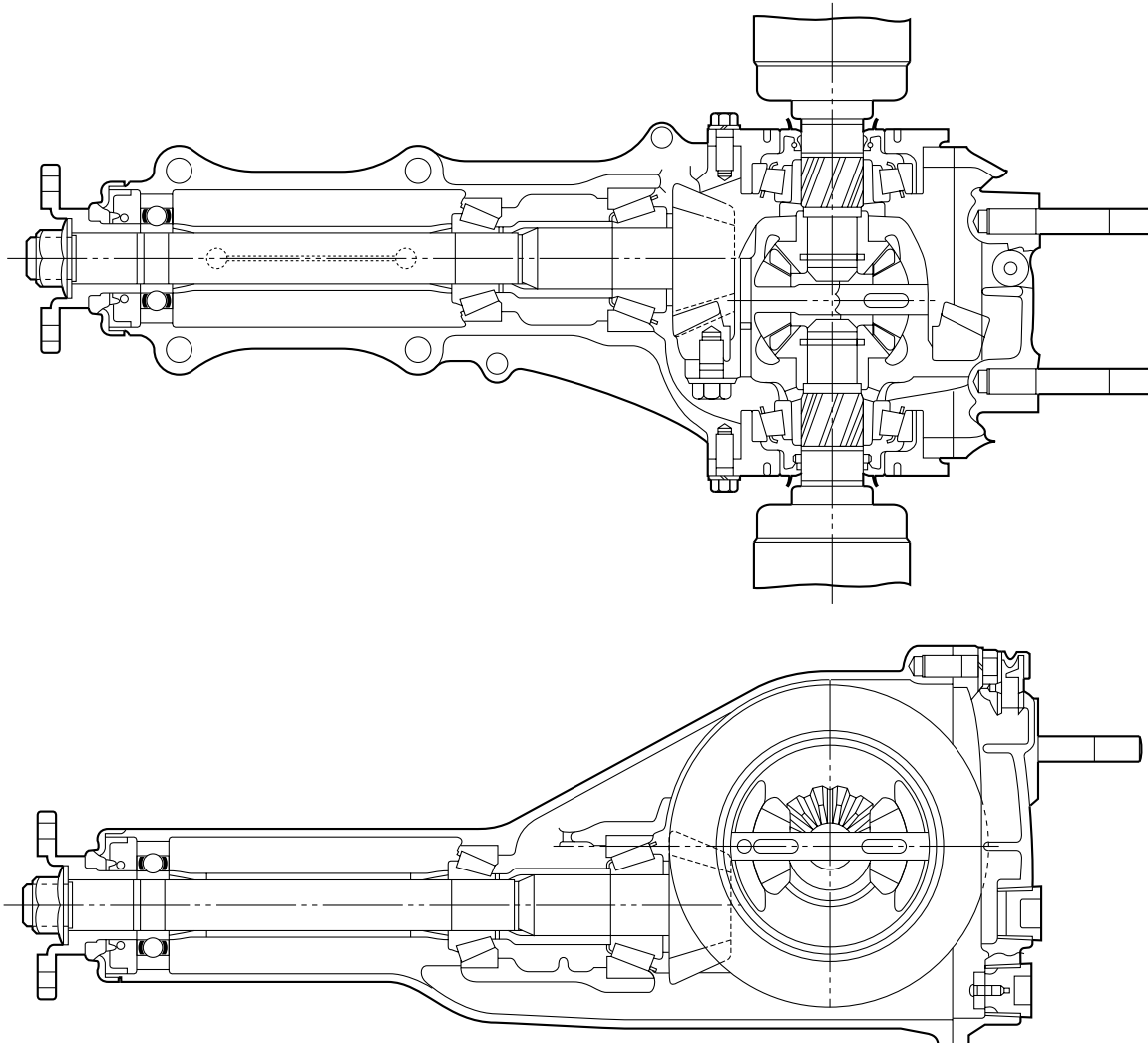
REAR DIFFERENTIAL

DIFFERENTIALS

1. Rear Differential

A: EXCEPT STi MODELS

The drive gear is a hypoid gear with nominal diameter of 160 mm (6.30 in). The drive pinion shaft is supported by three bearings. The bearing preload is adjusted by selecting a spacer and washer combination of a proper thickness. The drive pinion height is adjusted by properly selecting the thickness of the washers located at the drive pinion neck using a dummy shaft and gauge.



DI-00231

DI-2

REAR DIFFERENTIAL

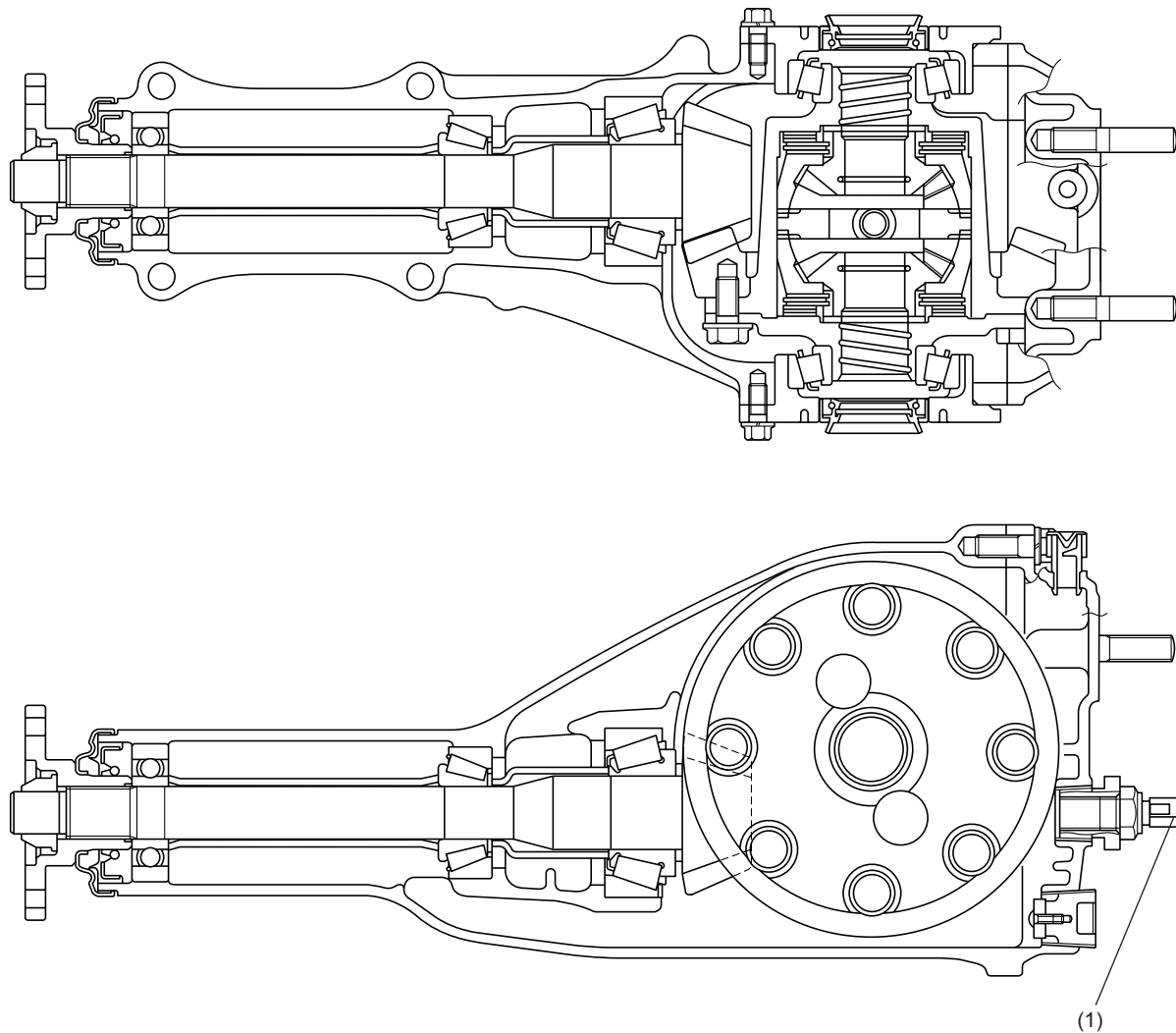
DIFFERENTIALS

B: STi MODELS

The drive gear is a hypoid gear with nominal diameter of 180 mm (7.09 in). The drive pinion shaft is supported by three bearings. The bearing preload is adjusted by selecting a spacer and washer combination of a proper thickness. The drive pinion height is adjusted by properly selecting the thickness of the washers located at the drive pinion neck based on the value stamped on the drive pinion shaft rear end.

To deal with the enhanced engine power, the diameter of the companion flange (joint to the propeller shaft) is increased for additional rigidity.

Moreover, the rear differential oil temperature switch opens when the rear differential oil temperature exceeds 150°C (302°F) causing the rear differential oil temperature warning light in the combination meter to turn on and switch the center differential in the transmission toward differential lock operation.



DI-00330

(1) Rear differential oil temperature switch

DI-3