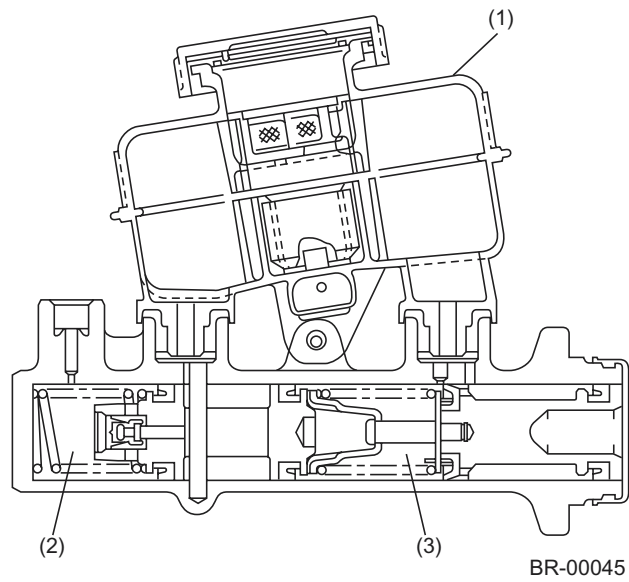


MASTER CYLINDER

BRAKE

2. Master Cylinder

- There is a brake fluid reservoir tank on the master cylinder. The reservoir is completely sealed for extended service life of the brake fluid.



- (1) Reservoir tank
- (2) Secondary hydraulic chamber
- (3) Primary hydraulic chamber

BR-4

MASTER CYLINDER

BRAKE

A: BRAKE FLUID LEVEL SWITCH

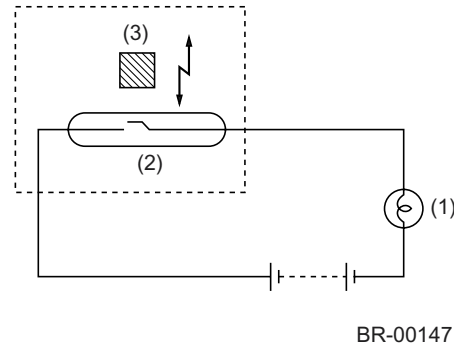
The brake fluid level switch is located inside the brake fluid reservoir tank and causes the brake system warning light on the combination meter to come on when the fluid level has dropped below the predetermined level.

The switch assembly consists of a reed switch (normally open) and a permanent magnet that is incorporated in a float.

When the brake fluid level is normal, the float is far above the reed switch, so the force of the magnet is unable to act on the reed switch. The warning light circuit, therefore, remains open.

When the brake fluid level drops to a level approximately 30 mm (1.18 in) below the maximum level and the float lowers accordingly, the magnet aligns with the reed switch, activating the reed switch contact. The warning light then comes on to warn the driver of the situation.

The warning light may, although momentarily, illuminate even when the brake fluid level is normal if the vehicle tilts or swing largely.



(1) Warning light

(2) Reed switch

(3) Permanent magnet

BR-5