

## BRAKE BOOSTER

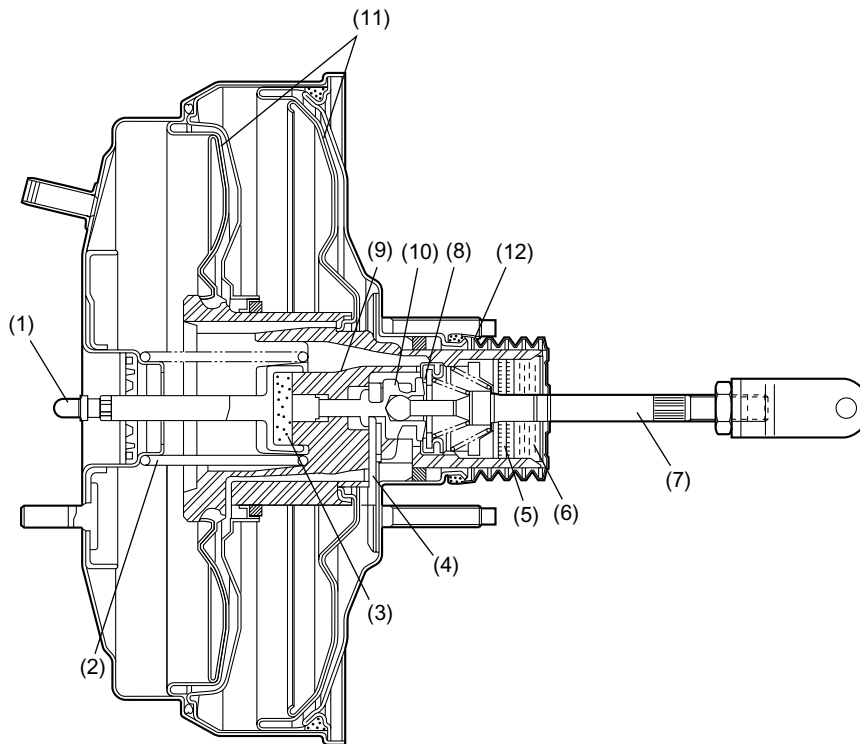
### BRAKE

### 3. Brake Booster

The brake booster is a tandem type that uses two diaphragms.

By utilizing the differential pressure between the intake manifold vacuum and atmospheric pressure, a high braking force can be obtained even when the pedal depressing effort is small.

The brake booster is installed between the brake pedal and master cylinder. This contributes to improve the response to the brake pedal. If it fails, the brake servo effect is lost requiring a larger pedal effort, however, the braking force is still maintained.



BR-00057

- |                   |                   |                          |
|-------------------|-------------------|--------------------------|
| (1) Pushrod       | (5) Filter        | (9) Valve body           |
| (2) Return spring | (6) Silencer      | (10) Plunger valve       |
| (3) Reaction disc | (7) Operating rod | (11) Diaphragm plate     |
| (4) Key           | (8) Poppet valve  | (12) Valve return spring |

BR-6