

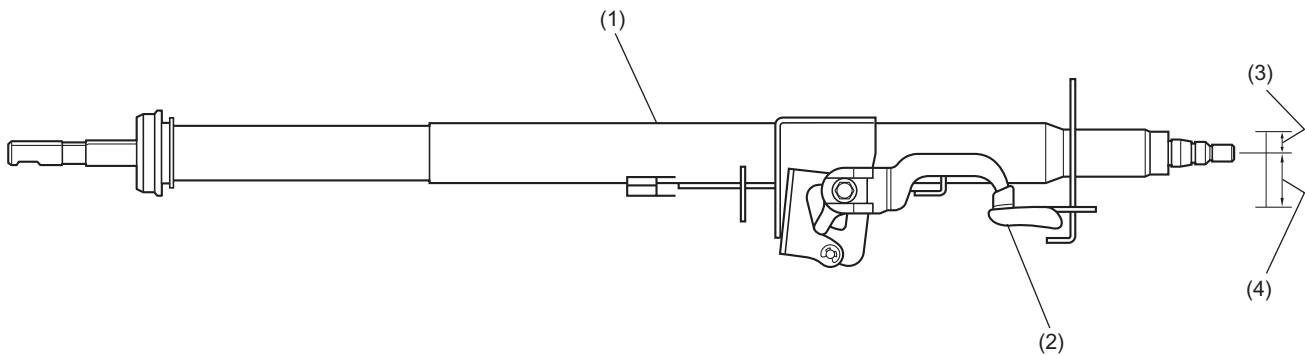
TILT STEERING COLUMN

POWER ASSISTED SYSTEM (POWER STEERING)

1. Tilt Steering Column

A: TILT MECHANISM

- The steering wheel vertical position can be adjusted within a 50 mm (1.97 in) range by using the tilt lever to unlock the steering column and lock it again at the desired position.



PS-00435

- (1) Tilt steering column
- (2) Tilt lever
- (3) 10 mm (0.39 in)
- (4) 40 mm (1.58 in)

B: ENERGY-ABSORBING MECHANISM

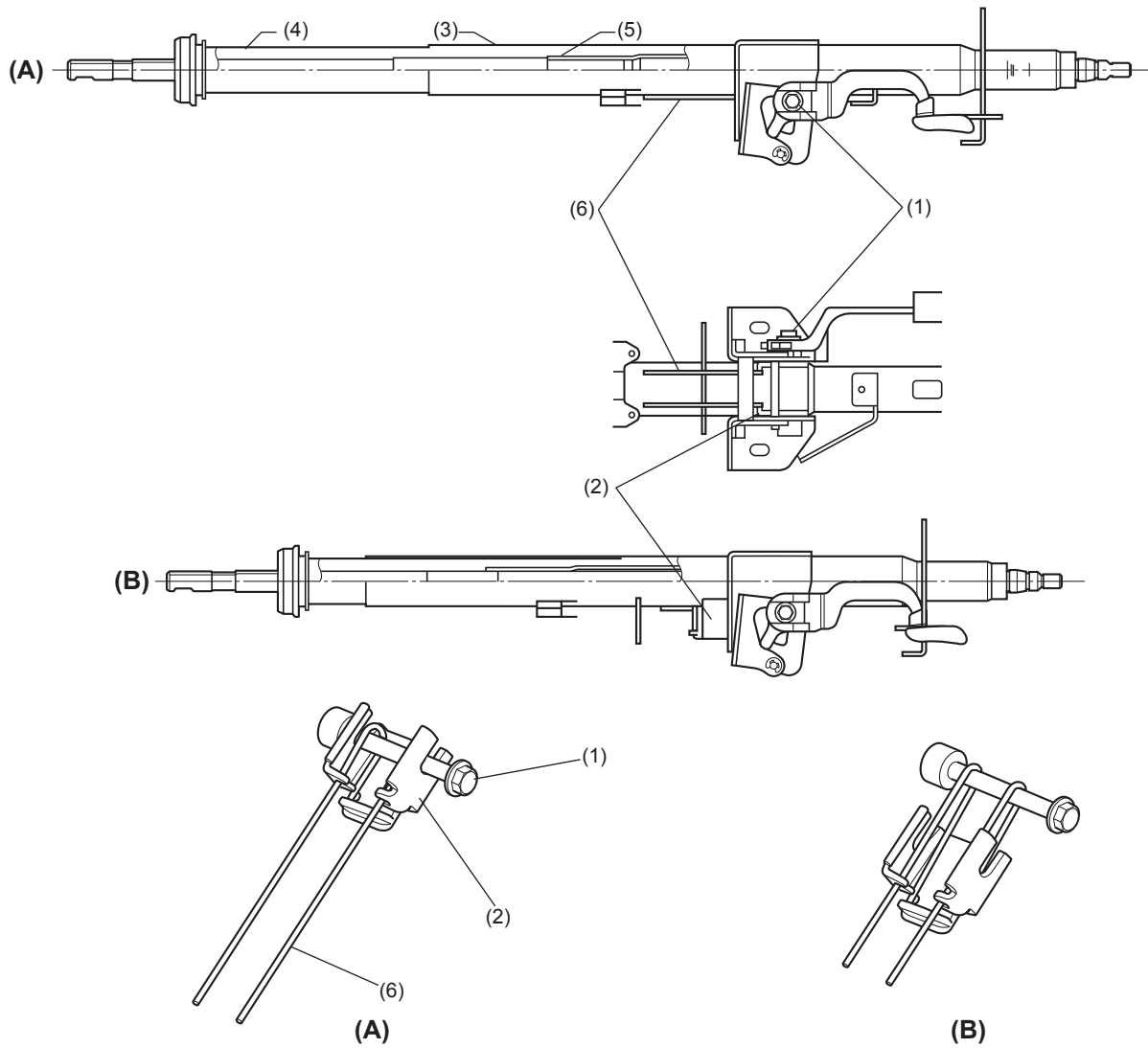
- To absorb the backward movement energy generated in the engine compartment in the event of a frontal collision, a press-fitted pipes type steering column jacket has been adopted. When an impact load exceeding a certain level is applied to the steering column, jacket A slides on jacket B.

Since jacket B is press-fitted in jacket A, friction generated between them absorbs the impact. The column bending load is supported by the press-fitted jackets.

- Another measure to alleviate impact on the driver in the event of a collision is the wire which is located between the tilt pin and the distance plate attached to the steering support beam. When a large impact load is applied to the steering column, the wire is deformed progressively. The impact energy is absorbed during this process.

TILT STEERING COLUMN

POWER ASSISTED SYSTEM (POWER STEERING)



PS-00438

(A) Before absorption of impact energy
(B) After absorption of impact energy

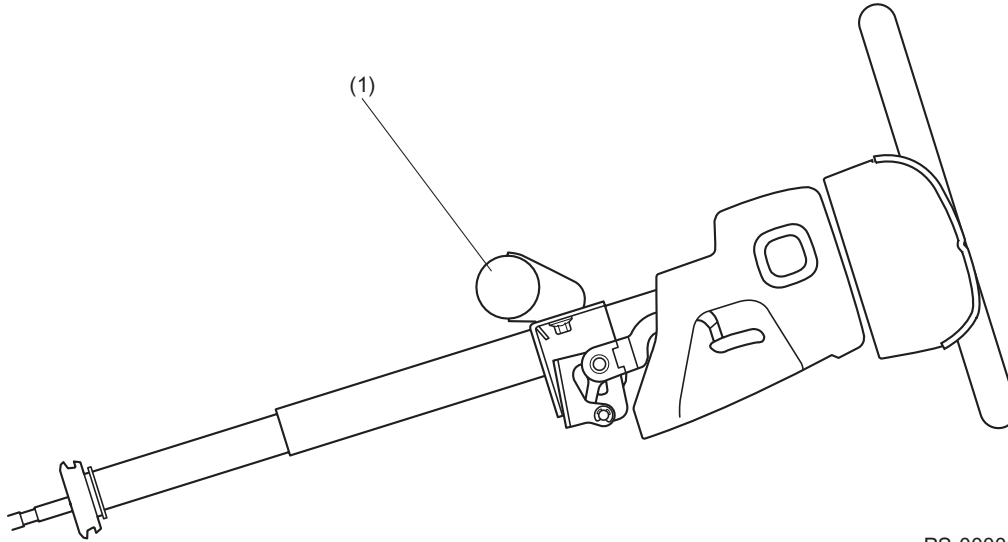
(1) Tilt pin
(2) Distance plate
(3) Jacket A
(4) Jacket B
(5) Shaft
(6) Wire

TILT STEERING COLUMN

POWER ASSISTED SYSTEM (POWER STEERING)

C: STEERING SUPPORT BEAM

- The steering column is held in position by a support beam which is installed crosswise in the vehicle body at a level close to the steering wheel to reduce the overhang distance of the steering wheel from the supporting point of the column. The steering shaft upper bearing is also located close to the steering wheel to increase supporting efficiency as well as to minimize vibration of the steering wheel.



PS-00008

(1) Steering support beam