

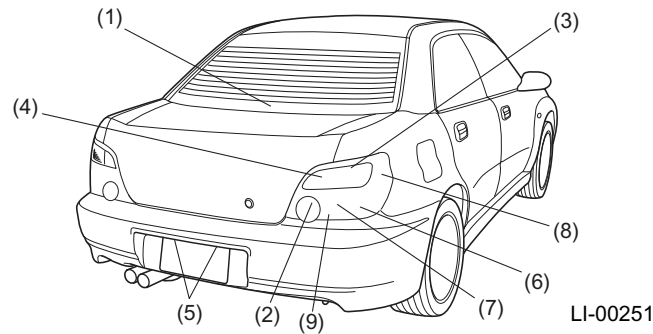
REAR

LIGHTING SYSTEM

2. Rear

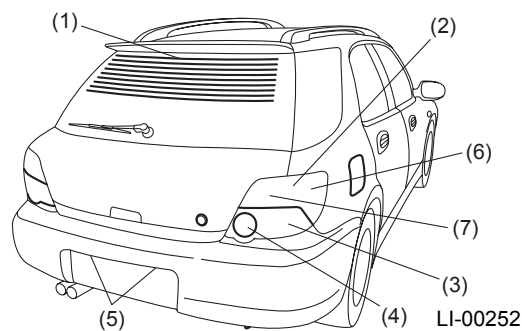
A: GENERAL

Sedan models



- | | |
|--------------------------------------|--------------------------------------|
| (1) High mount stop light | (6) Stop/tail/rear side marker light |
| (2) Stop light | (7) Tail light |
| (3) Turn signal/hazard warning light | (8) Rear side reflex reflector |
| (4) Backup light | (9) Rear reflex reflector |
| (5) License plate light | |

Wagon models

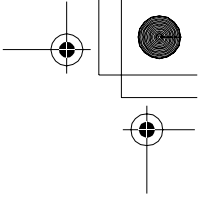
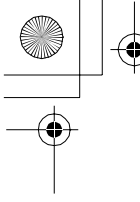


- | | |
|--------------------------------------|--------------------------------|
| (1) High mount stop light | (5) License plate light |
| (2) Stop/tail/rear side marker light | (6) Rear side reflex reflector |
| (3) Turn signal/hazard warning light | (7) Rear reflex reflector |
| (4) Backup light | |

- The rear turn signal/hazard warning light, stop/tail/rear side marker light, and the backup light are incorporated into the rear combination light. The rear side reflex reflector and rear reflex reflector are also incorporated into the rear combination light.

- The high mount stop light is installed to the bottom inside of the rear window on sedans (rear of the rear spoiler on vehicles with a rear spoiler), and to the top inside of the rear gate on wagons.

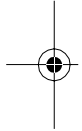
LI-3



REAR

LIGHTING SYSTEM

MEMO



LI-4

