

QUIETNESS

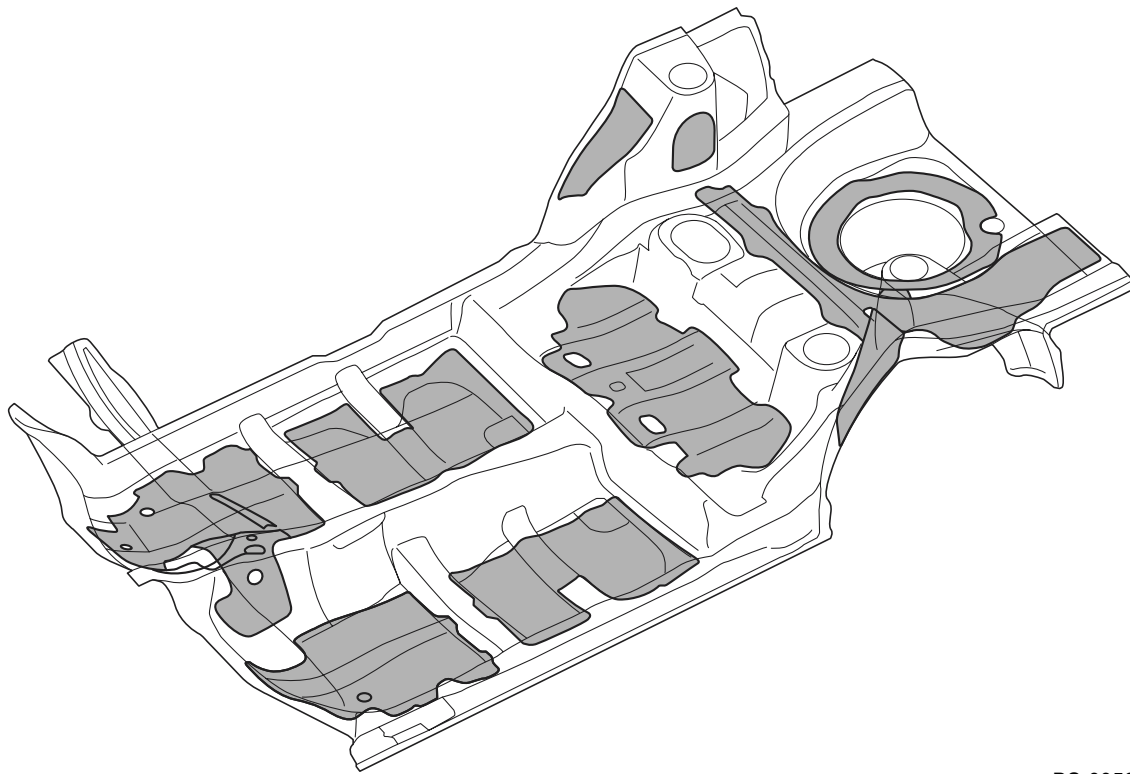
BODY STRUCTURE

2. Quietness

Silencers, dual-wall panels, sound-absorbing materials, etc. are utilized in conjunction with a high-rigidity and vibration/noise-proof body structure in order to ensure quietness of the passenger compartment.

A: SILENCER

Silencers (= asphalt sheets) minimize transmission of noise/vibration into the passenger compartment.



BS-00560

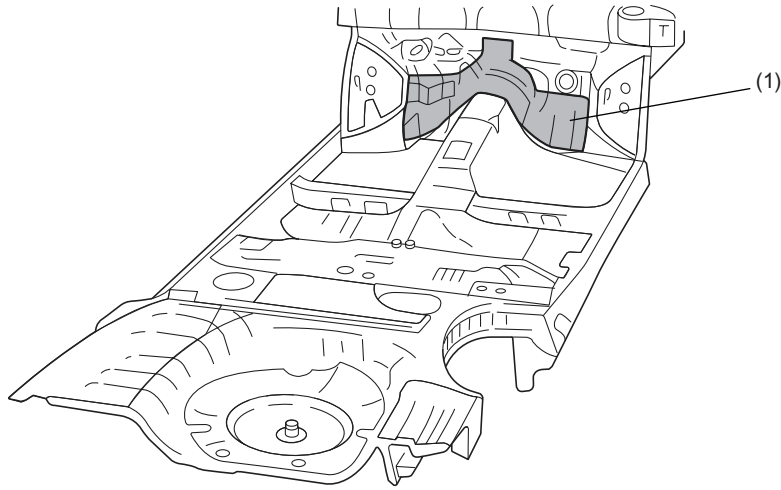
BS-3

QUIETNESS

BODY STRUCTURE

B: DUAL-WALL

The toeboard is a dual-wall design consisting of an asphalt sheet placed between two steel panels to reduce the transmission of noise and vibration from the engine compartment to the passenger compartment.



BS-00561

(1) Dual-wall

BS-4