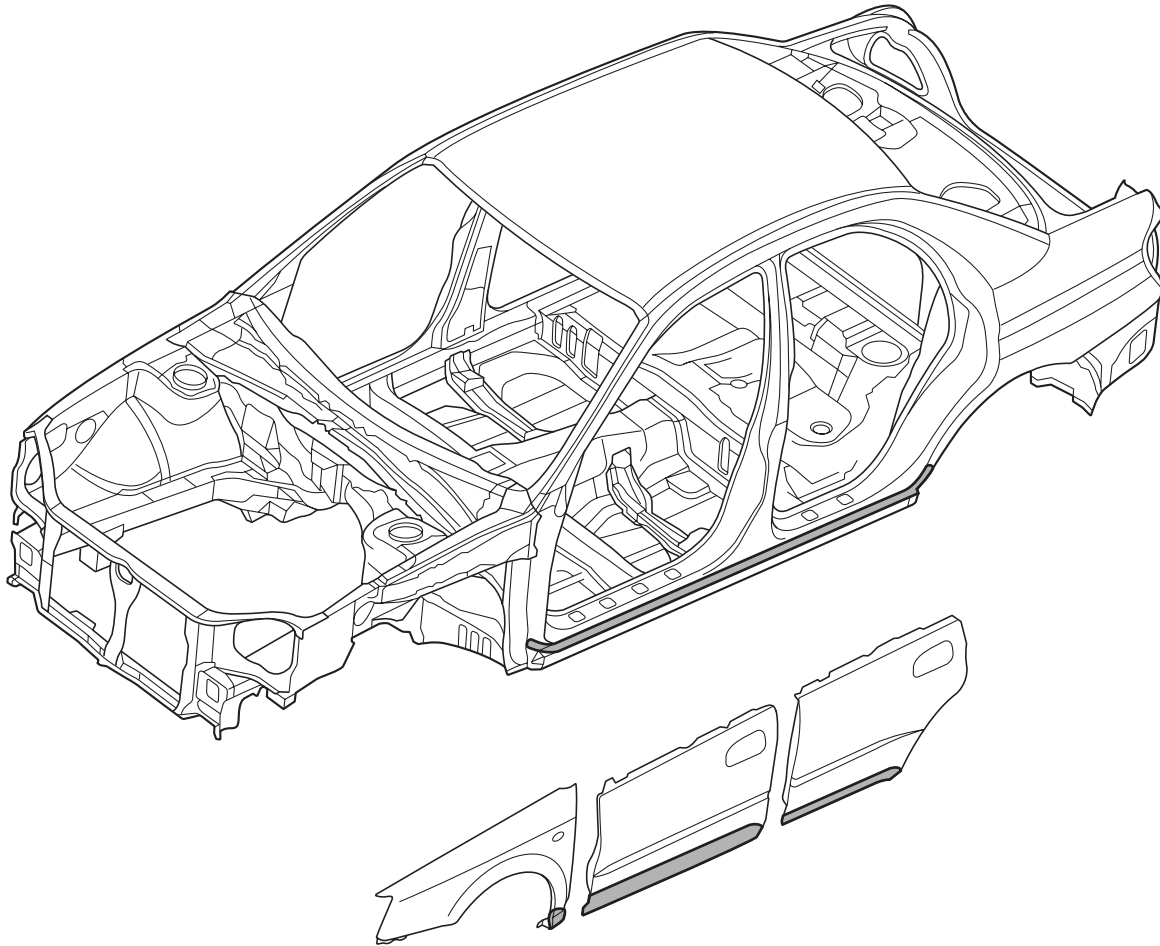


STONE GUARD COAT (SGC) APPLICATION

BODY STRUCTURE

6. Stone Guard Coat (SGC) Application



BS-00597

BS-9