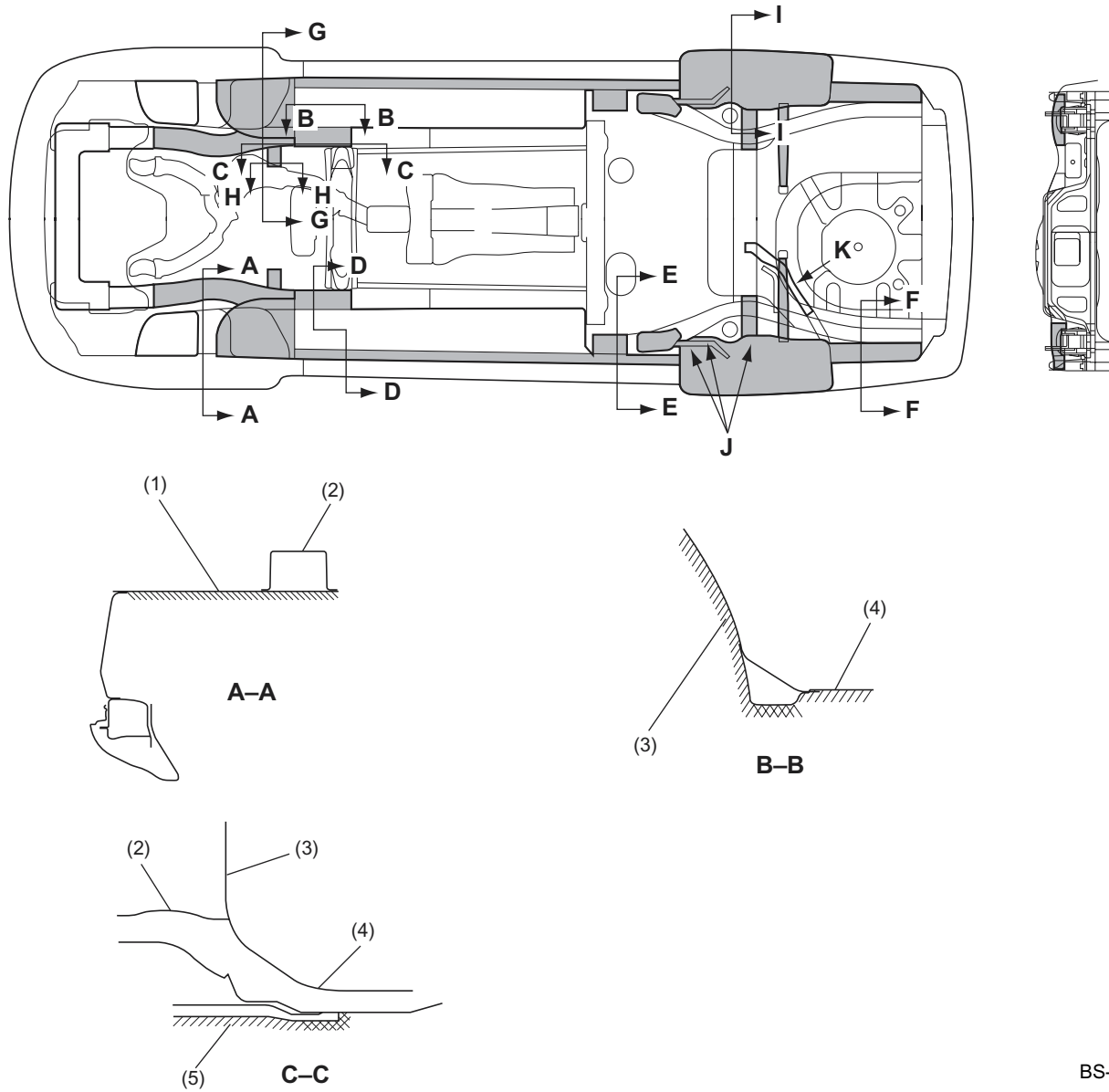


ANTI-RUST WAX (BITUMEN WAX) APPLICATION

BODY STRUCTURE

8. Anti-rust Wax (Bitumen Wax) Application



- (1) Front suspension lower bracket
- (2) Front side frame
- (3) Toeboard

- (4) Front floor
- (5) Sub frame

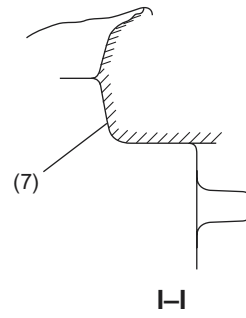
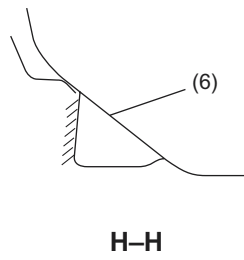
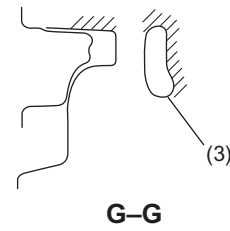
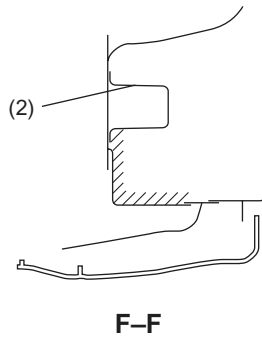
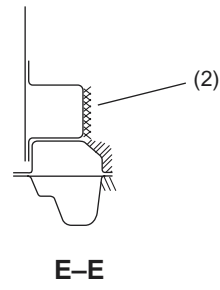
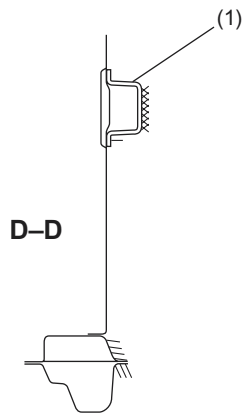
- A-A Body lower surface
- B-B Section A
- C-C Section B

BS-00634

BS-17

ANTI-RUST WAX (BITUMEN WAX) APPLICATION

BODY STRUCTURE



BS-00635

BS-18

ANTI-RUST WAX (BITUMEN WAX) APPLICATION

BODY STRUCTURE

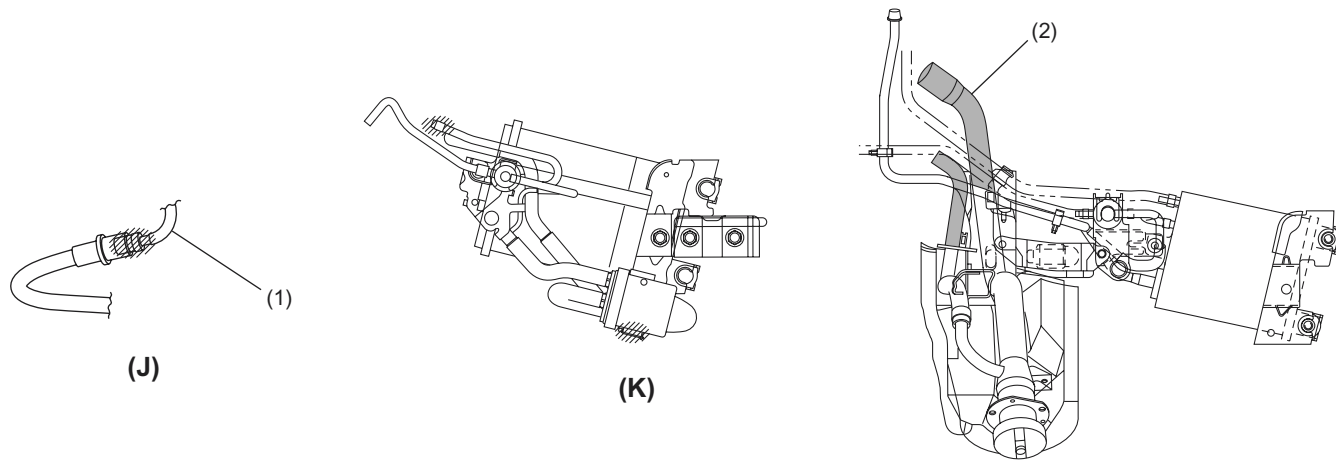
- (1) Front side frame
- (2) Rear side frame
- (3) Sub frame
- (4) Toeboard
- (5) Rear wheel apron

- D-D** Section C
E-E Section D
F-F Section E
G-G Section F
H-H Section G
I-I Section H

BS-19

ANTI-RUST WAX (BITUMEN WAX) APPLICATION

BODY STRUCTURE



BS-00583

- (1) Brake pipe
- (2) Filler pipe

- (J) Detail J
- (K) Detail K

BS-20