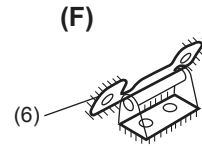
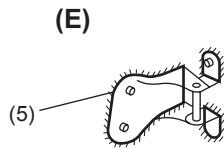
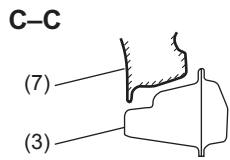
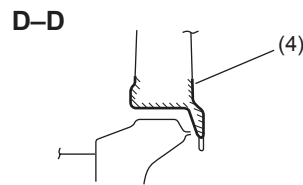
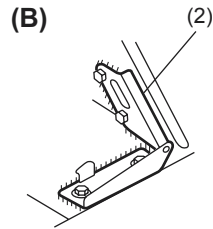
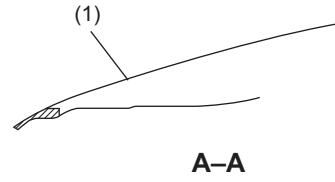
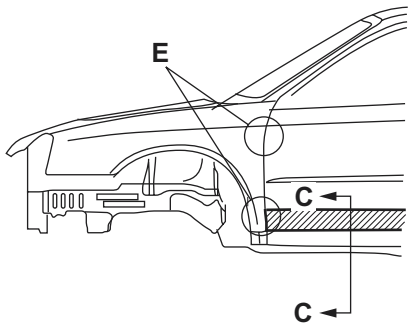
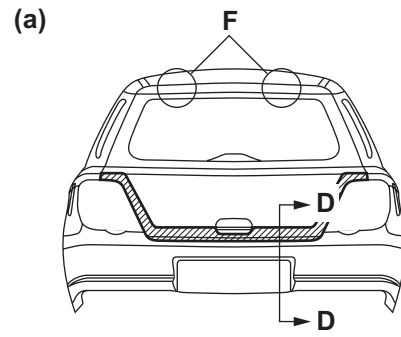
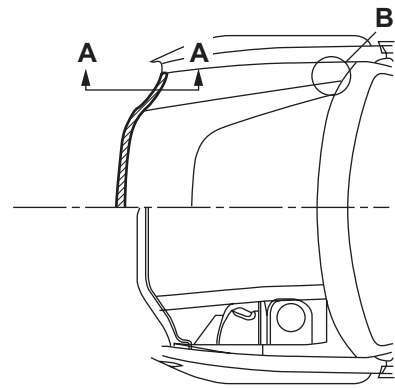


HOT WAX APPLICATION

BODY STRUCTURE

10. Hot Wax Application



BS-00598

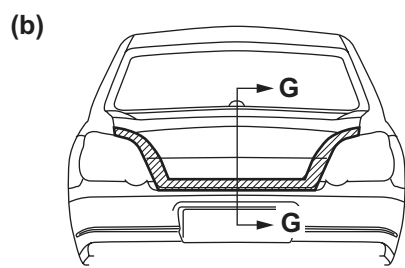
BS-22

HOT WAX APPLICATION

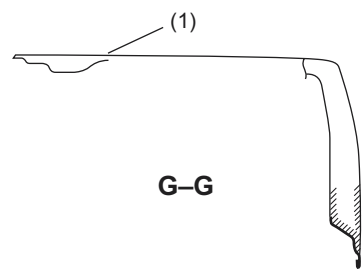
BODY STRUCTURE

- (1) Engine hood panel
- (2) Engine hood hinge
- (3) Side sill
- (4) Rear gate outer panel
- (5) Front and rear door hinges
- (6) Rear gate hinge
- (7) Side door panel (includes rear door panel)

- (a) Wagon
- A-A** Section A
- (B)** View B
- C-C** Section C
- D-D** Section D
- (E)** View E
- (F)** Detail F



- (1) Trunk lid



BS-00599

- (b) Sedan
- G-G** Section G

BS-23