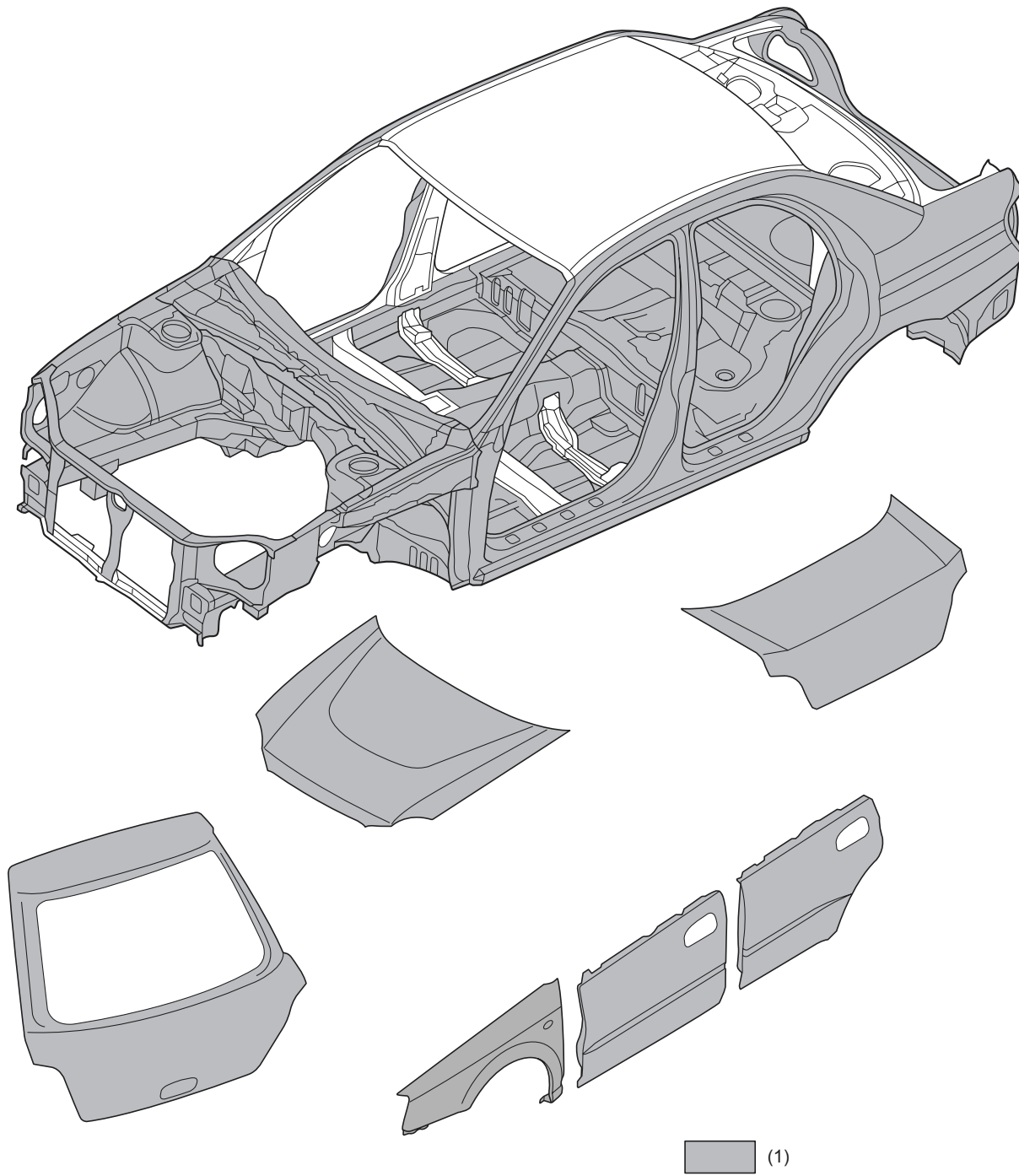


GALVANIZED SHEET METAL PARTS

BODY STRUCTURE

11. Galvanized Sheet Metal Parts



BS-00600

- (1) Galvanized on both sides
- (2) Non-turbo models

BS-24