

POWER DOOR LOCK

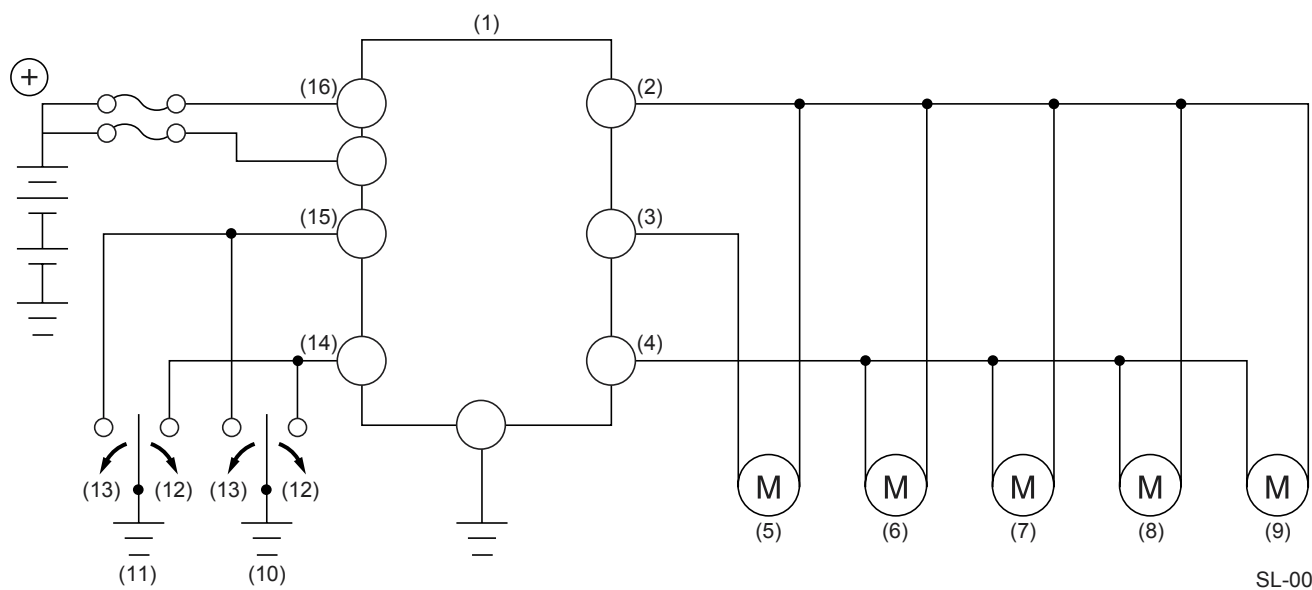
SECURITY AND LOCKS

2. Power Door Lock

A: CONSTRUCTION

- The power door lock system consists of an integrated module, driver's and front passenger's door lock switches, front door lock actuators, rear door lock actuators, and a rear gate lock actuator.
- When the driver's/front passenger's door is locked or unlocked using the door lock switch, the other doors and the rear gate are also locked or unlocked automatically.

B: SCHEMATIC DRAWINGS



SL-00033

- | | | |
|--|---|--------------------|
| (1) Integrated module | (7) Rear LH actuator | (13) Locked |
| (2) Lock output | (8) Rear RH actuator | (14) Unlock switch |
| (3) Unlock output (driver's door) | (9) Rear gate lock actuator | (15) Lock switch |
| (4) Unlock output (except driver's door) | (10) Front passenger's door lock switch | (16) Battery |
| (5) Front LH actuator | (11) Driver's door lock switch | |
| (6) Front RH actuator | (12) Unlock | |

SL-3